

# *Life Safety and Security Door Hardware*



**AUTOMATIC OPERATORS**

# AO19 SERIES® HOW TO ORDER

## DETEX CORPORATION

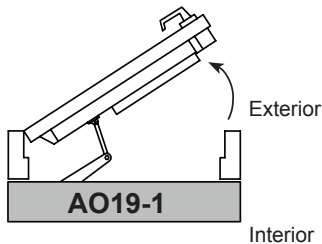
### Automatic Operator

Select from list below and fax to 800-653-3839

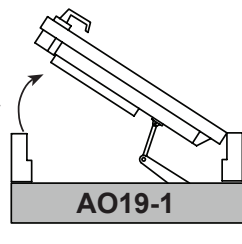
*NOTE: Operator always mounted inside of building  
Viewed from mounting side of door*

Single Door	39.5"	Right Hand	Push	AL
Qty _____	45.5"	Left Hand	Push 11" + reveal	BZ
	52"		Pull	

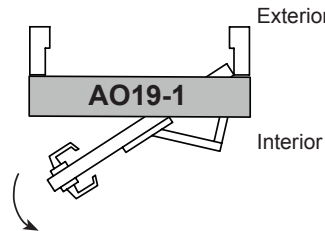
#### LH Push



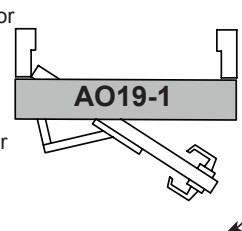
#### RH Push



#### LH Pull

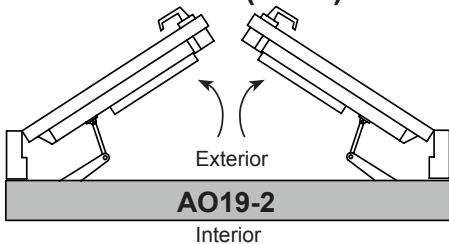


#### RH Pull

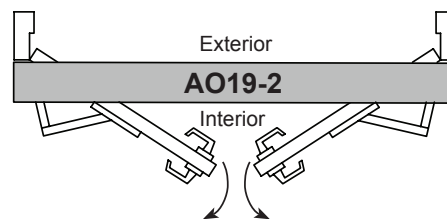


Double Door (Twin)	75.5"	Push	AL	Simultaneous
Qty _____	92"	Push 11" + reveal	BZ	Independent
	100"	Pull		

#### Double Door (Twin) Push

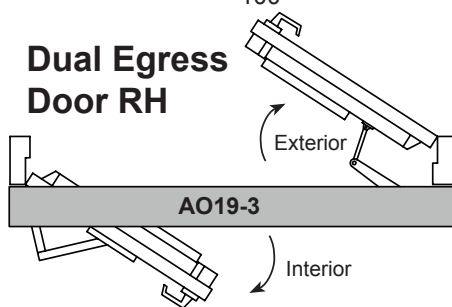


#### Double Door (Twin) Pull

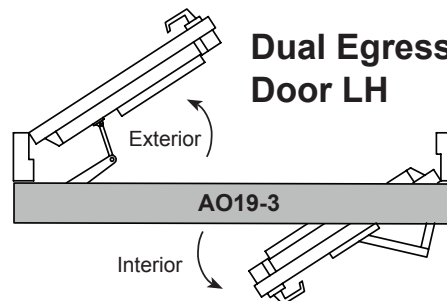


Double Egress (Dual) Door	75.5"	Right Hand	Push	AL	Simultaneous
Qty _____	92"	Left Hand	Pull	BZ	Independent
	100"				

#### Dual Egress Door RH



#### Dual Egress Door LH



Distributor: \_\_\_\_\_ Date: \_\_\_\_\_

Ph # \_\_\_\_\_ Email: \_\_\_\_\_ PO # \_\_\_\_\_

Comments: \_\_\_\_\_

Model # \_\_\_\_\_ x (length) \_\_\_\_\_ x (push/pull/dual) \_\_\_\_\_ x (AL/BZ) \_\_\_\_\_

# AO19 SERIES®

## AO19-1

### Low Energy Automatic Door Operators for Single Doors

---

The AO19 Series Automatic Operator for single doors is an easy to install, heavy duty product for high use and high abuse low energy applications. The AO19 Series meets requirements for ANSI/BHMA A156.19 (American National Standard for Power Assist and Low Energy Power Operated Doors) and provides standard features that meet the requirements of the American Disabilities Act.



AO19-1 RH Push

Shown with 21 Series  
Electric Latch  
Retraction (ER)

---

#### Benefits

- Economical operator provides safe and easy access in medium to high-traffic and security areas
- Provides ADA compliant access to handicap applications
- Quiet operation
- Hanger plate allows quick installation
- Self-contained unit in an extruded case allows easy access for maintenance and adjustments
- Works with existing access control, locking and computer signal devices
- Reduced service calls due to heavy-duty construction
- 3-way low-voltage ON/OFF/HOLD switch for ease of service and setup
- 115VAC power plug-in mounted in header
- Easy manual use

---

#### Features

- Available in single, pair (twin) for independent, simultaneous and dual egress openings
- Power close applies a reverse power to aid in latch check position. Must be selected to activate.
- Single voltage source required to operate
- Adjustable delayed activation for sequenced vestibule doors
- Reverse on obstruction stalls a door during closing cycle and re-activates to open if an obstruction is sensed anytime before the latch position. Must be selected to activate.
- Adjustable closing speed
- Push & Go (Use for Handicap) activates when door is manually pushed to open. Must be selected to activate.
- Electric lock relay provides an adjustable delay before door opens to unlock an electric strike, maglock or other types of electric locks - prevents binding

---

#### Mechanical Options

- LH Push - Left Hand Push
- RH Pull - Right Hand Pull
- 52" - Fits above most 48" doors
- RH Push - Right Hand Push
- 39.5" - Fits above most 36" doors
- LH Pull - Left Hand Pull
- 45.5" - Fits above most 42" doors

## Accessories

- 104792 - Wireless Button Package (includes 2 push plates, 2 mounting boxes and 1 receiver)

Call for available activation options

- PB-2048-3 - Mushroom switch, hard-wired

- DS-3681-630 - Electric Strike, cylindrical

## Technical Information

- Power Requirements -
- 115VAC 60 HZ 3 amps

### Motor

- 115VDC rectified
- 1/8 hp
- 60:1 gearbox

### Module -

- Activation input terminals
- Form C lock switch terminals
- Safety lock-out built in
- 17 additional features standard on board

### Enclosure -

- 7" h x 4 1/2" d
- Approximately 50 lbs
- Aluminum extrusion

- Push reveal depth up to 11" with standard arm. Extended arm available.

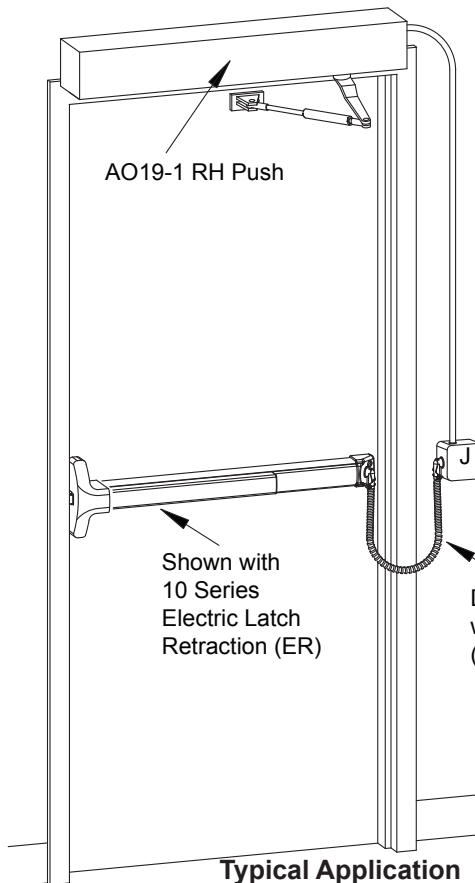
- Pull reveal depth up to 5"

## Finishes

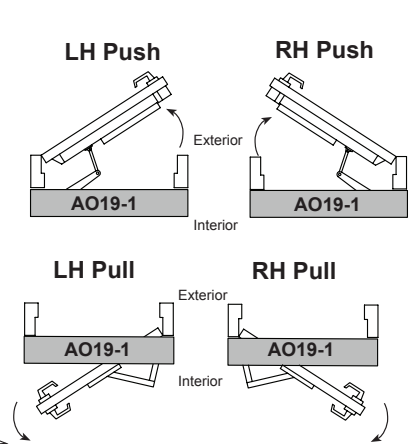
- AL - 204-Ri Clear: Arch. Class II anodized coating, AA-M12C22A31

- BZ - 313-Ri Dark Bronze: Arch. Class II Anodized coating, AA-M12C22A32

## Riser Diagram



## Handing Diagram



## Listings and Approvals



Certified to ANSI/UL 325  
Tested - ANSI 156.19



Meets ADA requirements



Certified to CAN/CSA 247-92



3-Hour Fire Listed

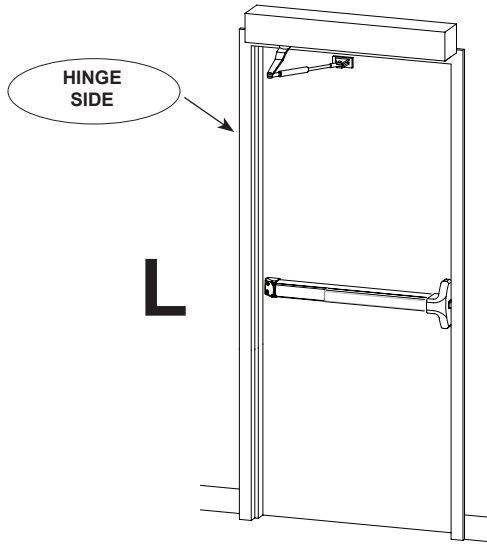
## Detex Limited Warranty

3 Year Mechanical / 1 year Electrical Limited Manufacturers Warranty

Where Trust is Built™  
**DETEX**®  
Life Safety and Security Door Hardware

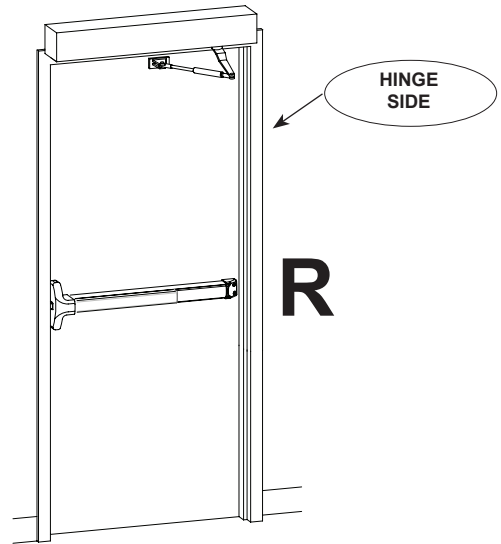
Detex Corporation  
302 Detex Drive  
New Braunfels, Texas 78130-3045 USA  
PH. (830) 629-2900  
(800) 729-3839  
FAX (830) 620-6711  
(800) 653-3839  
<http://www.detex.com>  
USA Sales:  
[marketing@detex.com](mailto:marketing@detex.com)  
International Sales:  
[export@detex.com](mailto:export@detex.com)

# AO19-1 (Single Door)



**L**

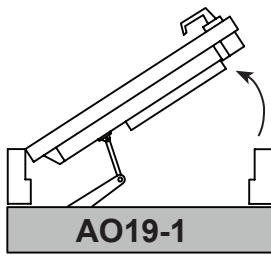
**LS Shown**



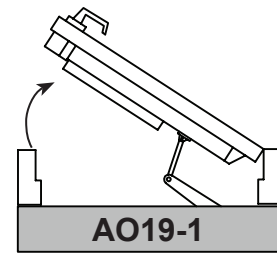
**R**

**RS Shown**

**LS**



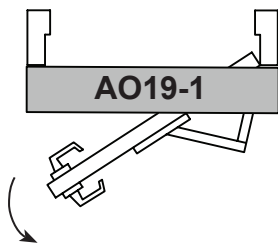
**LEFT HAND PUSH  
OPERATOR**



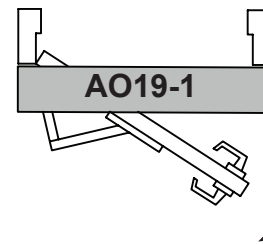
**RS**

**RIGHT HAND PUSH  
OPERATOR**

**LP**



**LEFT HAND PULL  
OPERATOR**



**RP**

**RIGHT HAND PULL  
OPERATOR**

# AO19 SERIES®

## AO19-2

### Low Energy Automatic Door Operators for Double Doors

The AO19 Series Automatic Operator for double doors is an easy to install, heavy duty product for high use and high abuse low energy applications. The AO19 Series meets requirements for ANSI/BHMA A156.19 (American National Standard for Power Assist and Low Energy Power Operated Doors) and provides standard features that meet the requirements of the American Disabilities Act.



#### Benefits

- Economical operator provides safe and easy access in medium to high-traffic and security areas
- Provides ADA compliant access to handicap applications
- Quiet operation
- Hanger plate allows quick installation
- Self-contained unit in an extruded case allows easy access for maintenance and adjustments
- Works with existing access control, locking and computer signal devices
- Reduced service calls due to heavy-duty construction
- 3-way low-voltage ON/OFF/HOLD switch for ease of service and setup
- 115VAC power plug-in mounted in header
- Easy manual use

#### Features

- Available in single, pair (twin) for independent, simultaneous and dual egress openings
- Reverse on obstruction stalls a door during closing cycle and re-activates to open if an obstruction is sensed anytime before the latch position. Must be selected to activate.
- Adjustable delayed activation for sequenced vestibule doors
- Single voltage source required to operate
- Electric lock relay provides an adjustable delay before door opens to unlock an electric strike, maglock or other types of electric locks - prevents binding
- Push & Go (Use for Handicap) activates when door is manually pushed to open. Must be selected to activate.
- Power close applies a reverse power to aid in latch check position. Must be selected to activate.
- Adjustable closing speed

#### Mechanical Options

- Push
- Pull
- 75.5" - Fits above most pairs of 36" doors
- 92" - Fits above most 44" pairs of doors
- 100" - Fits above most 48" pairs of doors

## Accessories

- 104792 - Wireless Button Package (includes 2 push plates, 2 mounting boxes, and 1 receiver)

Call for available activation options

- PB-2048-3 - Mushroom switch, hard-wired

- DS-3681-630 - Electric Strike, cylindrical

## Technical Information

- Power Requirements -
- 115VAC 60 HZ 3 amps

Module -

- Activation input terminals
- Form C lock relay terminals
- Safety lock-out built in
- 17 additional features standard on board

Motor -

- 115VDC rectified
- 1/8 hp
- 60:1 gearbox

Enclosure -

- 7" h x 4 1/2" d
- Approximately 50 lbs
- Aluminum extrusion

- Push reveal depth up to 11" with standard arm. Extended arm available.

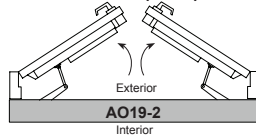
- Pull reveal depth up to 5".

## Finishes

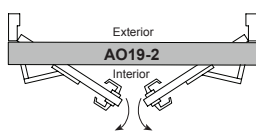
- AL - 204-Ri Clear: Arch. Class II anodized coating, AA-M12C22A31
- BZ - 313-Ri Dark Bronze: Arch. Class II Anodized coating, AA-M12C22A32

## Handing Diagram

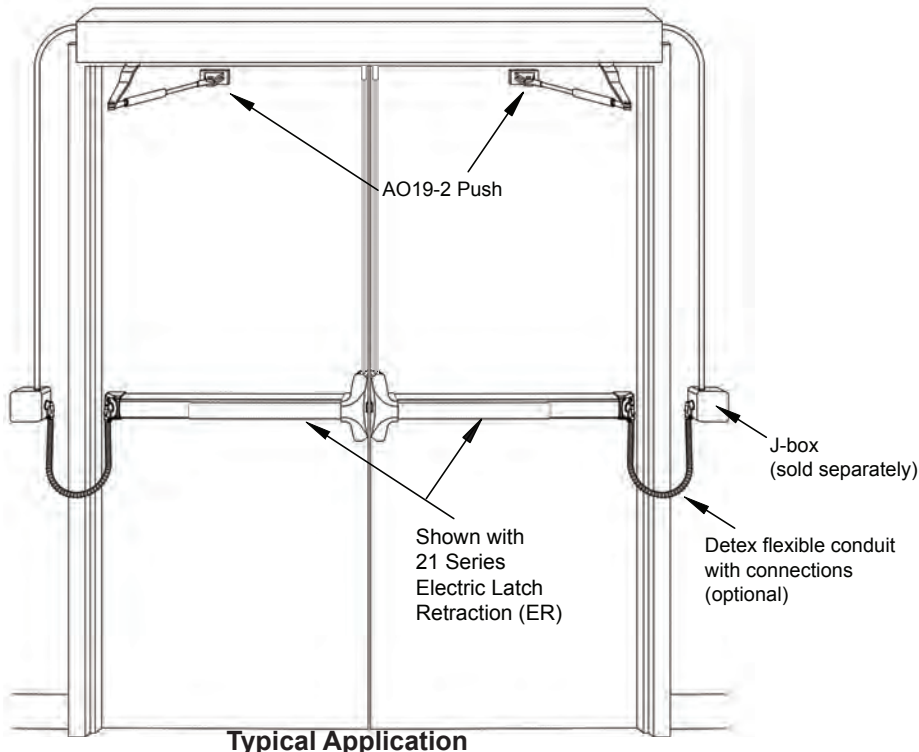
Double Door (Twin) Push



Double Door (Twin) Pull



## Riser Diagram



## Listings and Approvals



Certified to  
ANSI/UL 325  
Tested - ANSI 156.19



Meets ADA  
requirements



Certified to  
CAN/CSA 247-92



3-Hour Fire  
Listed

## Detex Limited Warranty

3 Year Mechanical / 1 year Electrical  
Limited Manufacturers Warranty

*Where Trust is Built™*  
**DETEX®**  
*Life Safety and Security Door Hardware*

Detex Corporation  
302 Detex Drive  
New Braunfels, Texas 78130-3045 USA

PH. (830) 629-2900

(800) 729-3839

FAX (830) 620-6711

(800) 653-3839

<http://www.detex.com>

USA Sales:

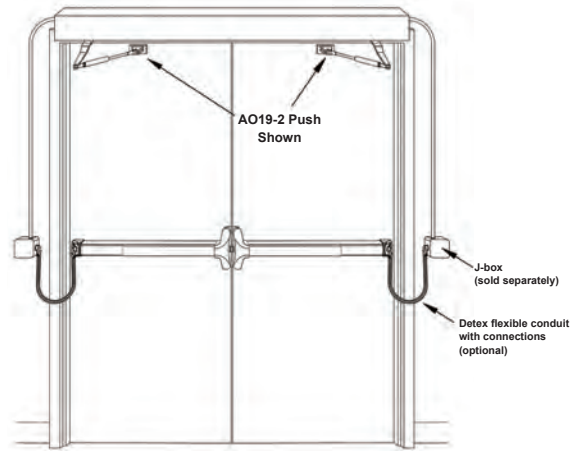
[marketing@detex.com](mailto:marketing@detex.com)

International Sales:

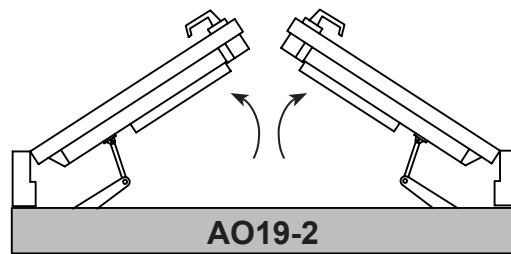
[export@detex.com](mailto:export@detex.com)

# AO19-2 (Pair of Doors)

**P**

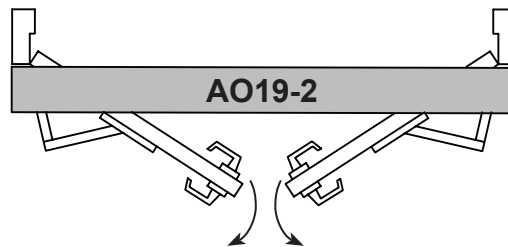


**PS**



**Twin Push**

**PP**



**Twin Pull**



# AO19 SERIES®

## AO19-3

### Low Energy Automatic Door Operators for Double Egress Doors

The AO19 Series Automatic Operator for double egress doors is an easy to install, heavy duty product for high use and high abuse low energy applications. The AO19 Series meets requirements for ANSI/ BHMA A156.19 (American National Standard for Power Assist and Low Energy Power Operated Doors) and provides standard features that meet the requirements of the American Disabilities Act.



AO19-3 Dual Egress

Shown with 21 Series  
Electric Latch  
Retraction (ER)

#### Benefits

- Economical operator provides safe and easy access in medium to high-traffic and security areas
- Provides ADA compliant access to handicap applications
- Quiet operation
- Hanger plate allows quick installation
- Self-contained unit in an extruded case allows easy access for maintenance and adjustments
- Works with existing access control, locking and computer signal devices
- Reduced service calls due to heavy-duty construction
- 3-way low-voltage ON/OFF/HOLD switch for ease of service and setup
- 115VAC power plug-in mounted in header
- Easy manual use

#### Features

- Available in single, pair (twin) for independent, simultaneous and dual egress openings
- Reverse on obstruction stalls a door during closing cycle and re-activates to open if an obstruction is sensed anytime before the latch position. Must be selected to activate.
- Adjustable delayed activation for sequenced vestibule doors
- Single voltage source required to operate
- Electric lock relay provides an adjustable delay before door opens to unlock an electric strike, maglock or other types of electric locks
- Push & Go (Use for Handicap) activates when door is manually pushed to open. Must be selected to activate.
- Power close applies a reverse power to aid in latch check position. Must be selected to activate.
- Adjustable closing speed

#### Mechanical Options

- RH Typical
- LH
- 75.5" - Fits above most pairs of 36" doors
- 92" - Fits above most 44" pairs of doors
- 100" - Fits above most 48" pairs of doors

## Accessories

- 104792 - Wireless Button Package (includes 2 push plates, box and receiver)

Call for available activation options

- PB-2048-3 - Mushroom switch, hard-wired
- DS-3681-630 - Electric Strike, cylindrical

- PT5 - Power Transfer
- EWH8-626 - Electric Hinge

## Technical Information

Power Requirements -

- 115VAC 60 HZ 3 amps

Module -

- Activation input terminals
- Form C lock switch terminals
- Safety lock-out built in
- 17 additional features standard on board

Motor

- 115VDC rectified
- 1/8 hp
- 60:1 gearbox

- Reveal depth up to 5"

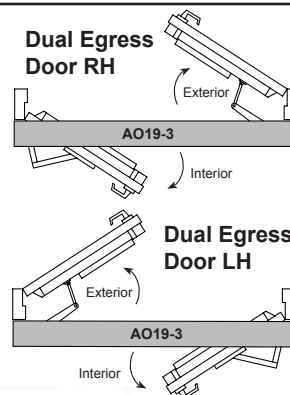
Enclosure -

- 7" h x 4 1/2" d
- Approximately 50 lbs
- Aluminum extrusion

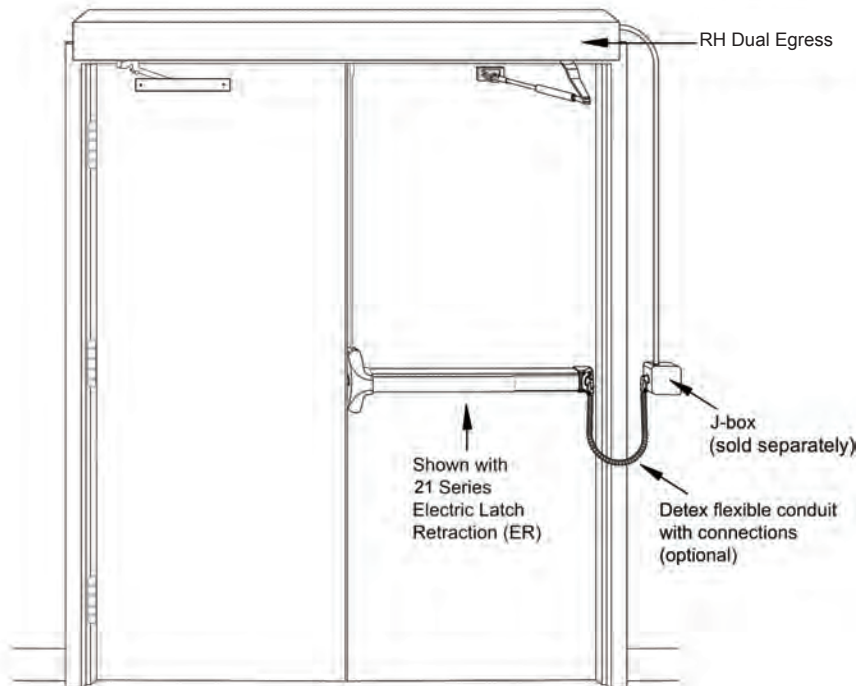
## Finishes

- AL - 204-Ri Clear: Arch. Class II anodized coating, AA-M12C22A31
- BZ - 313-Ri Dark Bronze: Arch. Class II Anodized coating, AA-M12C22A32

## Handing Diagram



## Riser Diagram



Typical Application

## Listings and Approvals



Certified to ANSI/UL 325  
Tested - ANSI 156.19



Meets ADA requirements



Certified to CAN/CSA 247-92



3-Hour Fire Listed

## Detex Limited Warranty

3 Year Mechanical / 1 year Electrical  
Limited Manufacturers Warranty

*Where Trust is Built™*  
**DETEX®**  
*Life Safety and Security Door Hardware*

Detex Corporation  
302 Detex Drive  
New Braunfels, Texas 78130-3045 USA

PH. (830) 629-2900

(800) 729-3839

FAX (830) 620-6711

(800) 653-3839

<http://www.detex.com>

USA Sales:

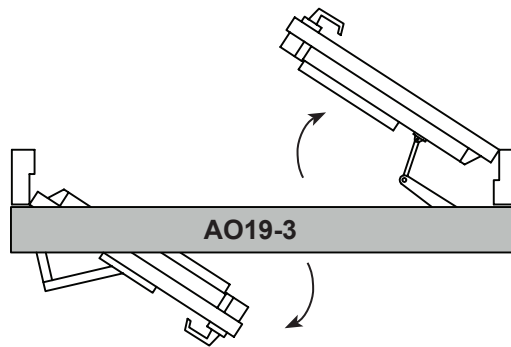
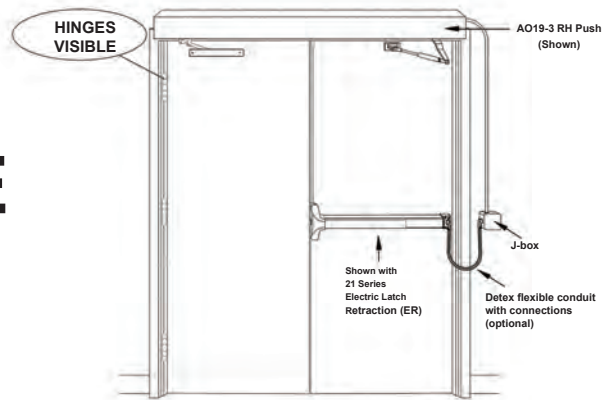
[marketing@detex.com](mailto:marketing@detex.com)

International Sales:

[export@detex.com](mailto:export@detex.com)

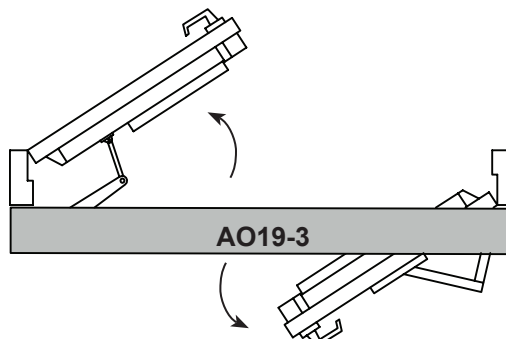
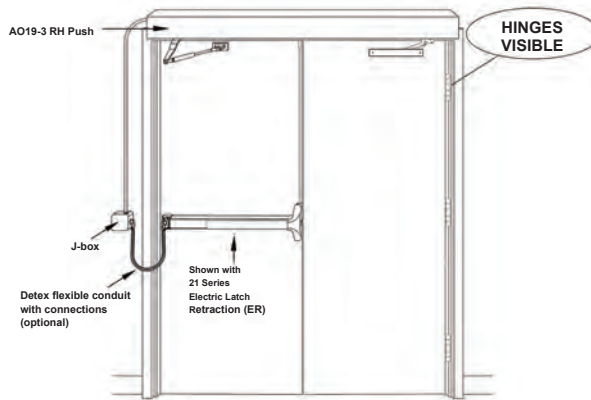
# AO19-3 (Double Egress Doors)

**RHDE**



**Right Hand Dual Egress Operator**

**LHDE**



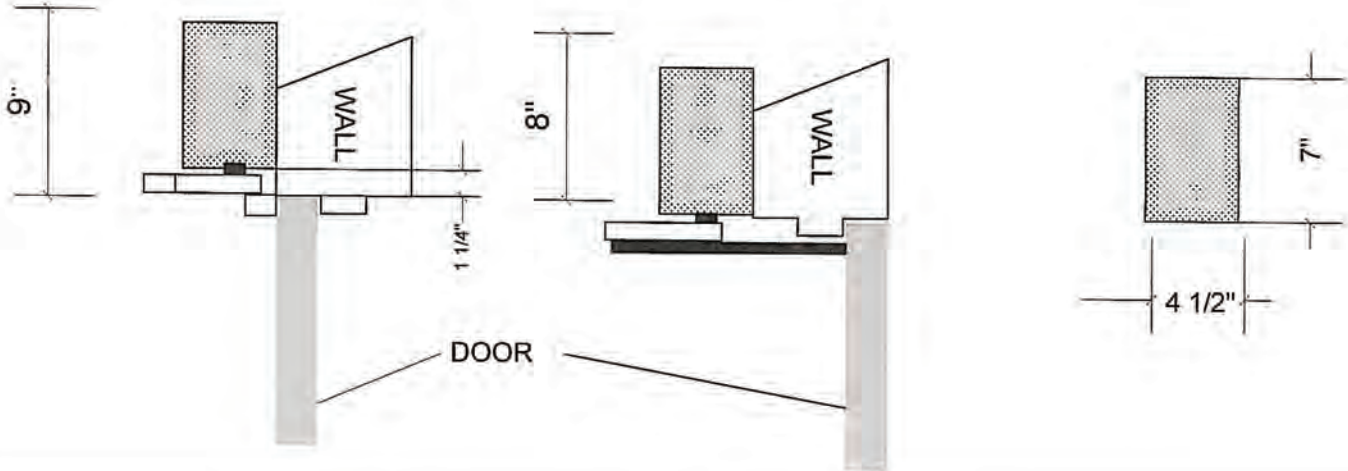
**Left Hand Dual Egress Operator**

# CLEARANCE

## Overhead View

**PULL SIDE  
or DOUBLE EGRESS**

**PUSH SIDE**



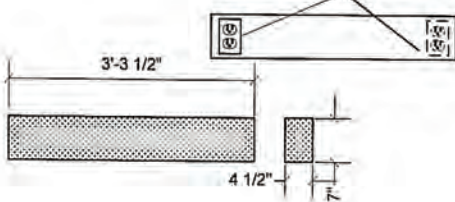
For Fire Doors Only

Fire Alarm Input  
Contacts Open on Alarm

120 VAC  
1 Phase 15 Amp

Notes  
1 Verify best entry point for  
120AC.

Duplex outlet part of operator  
- location varies

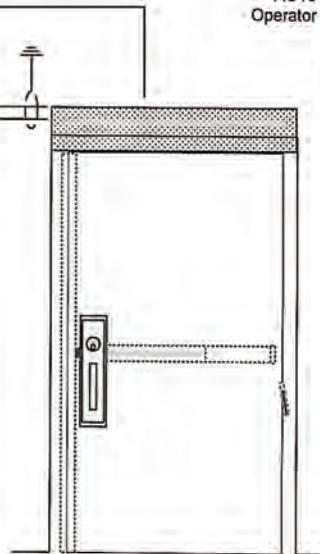


AO19  
Operator

1" Clearance  
Required

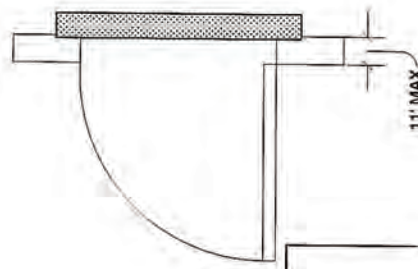
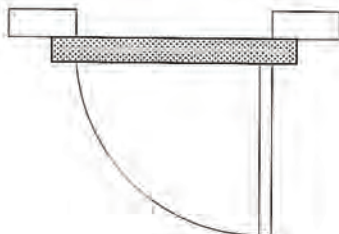
Filler &/or  
Reinforcing  
to fill void

FRAME



Notes

- 1 When the operator mounting is on the pull side and an adjacent wall is within 4" (101.6 mm) of the door frame, specify a parallel arm.
2. When installed on fire rated openings operator must be connected to fire alarm, preventing operator from functioning on fire alarm.
- 3 Maximum swing, wall permitting, 120 degree. Push side, maximum reveal 11 inches.
4. Maximum door weight - 200 pounds





### **List of Accessories**

**4 1/2" Round Push Plate Switches**

**6" Round Push Plate Switches**

**4 1/2" Square Push Plate Switches**

**Jamb Mount Push Plate**

**Vestibule Push Plate**

**Keyswitch Push Plate Combination**

**Key Switch**

**Switch Posts**

**Hand-Held Transmitter**

**Transmitters**

**Multi-Mode Receivers**

**DH97 Presence Sensor**

**Swing Door Mounted Presence Sensor**

# AO19 SERIES®

## AO19 Activation Switches 4 1/2" Round Push Plate Switches

The 104742-X switches combine architectural quality finishes with industrial grade components to provide attractive and reliable automatic door activation.



-H



-HSS



-P

### Benefits

- The 104742 Series push plate switches are designed to provide reliable activation of any automatic door.
- Designed as a universal switch, the 104742 Series fit single-gang electrical boxes with no adapters necessary.
- Durable finishes.
- Each unit is built utilizing heavy gauge stainless steel, aircraft quality rivets and screws.
- The most reliable microswitch in the industry.

### Features

- The 104742 Series features 4" round face plates in either stainless steel or blue powder coated aluminum with etched and paint-filled legends.
- Includes tamper-resistant screws.
- 4" All Active Face Plate.
- H 4 1/2" Formed Stainless Steel Back Plate.
- A surface mount box is also available. 104738-1025
- Rubber "Bellows" increases weather protection (included).
- Fits single or 2-gang Electrical Box, 104738-1025 Surface Mount Box, or 104753-R4 Mounting Box With Transmitter.

### Electrical Options

- Radio Control Versions Available

### Accessories

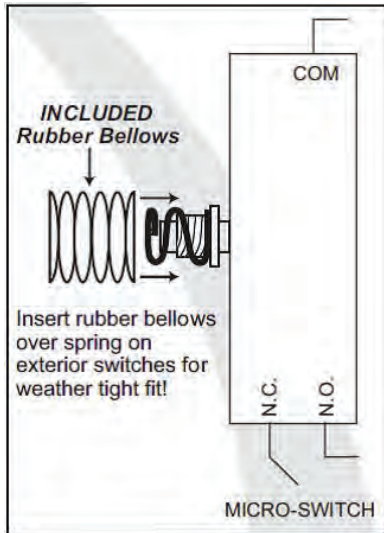
- 104738-1025 mounting box
- 104752 Multi-Mode Receivers
- 104753-R4 Mounting Box with Transmitter
- 104753-STX-R4



## Technical Information

- 4" All Active Face Plate
- 4 1/2" Formed Stainless Steel Back Plate
- UL Listed Momentary Switch, SPDT, 15 Amp @ 125V AC
- Rubber "Bellows" increases weather protection (included)

## Riser Diagram



## Listings and Approvals



American National Standards Institute (ANSI)



Building Hardware Manufacturers Association (BHMA) - ANSI/BHMA A156.10 & A156.19

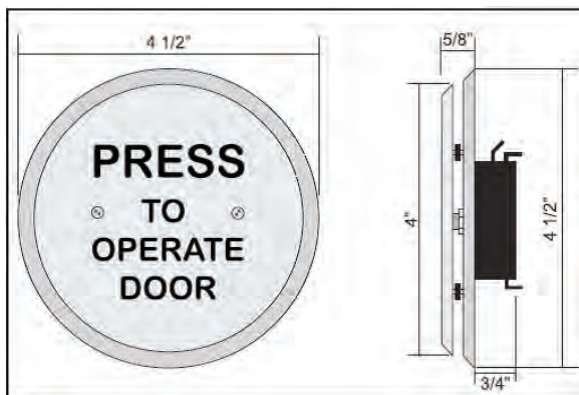


UL Approved Switches

## Warranty

1 Year Mechanical Limited Manufacturers Warranty

## Dimensions



*Where Trust is Built™*  
**DETEX®**  
*Life Safety and Security Door Hardware*

Detex Corporation  
 302 Detex Drive  
 New Braunfels, TX 78130  
 PH (830) 629-2900  
 (800) 729-3839  
 FX (830) 620-6711  
 (800) 653-3839  
<http://www.detex.com>  
 USA Sales:  
[marketing@detex.com](mailto:marketing@detex.com)  
 International Sales:  
[export@detex.com](mailto:export@detex.com)

# AO19 SERIES®

## AO19 Activation Switches 6" Round Push Plate Switches

The 104743-X switches combine architectural quality finishes with industrial grade components to provide attractive and reliable automatic door activation.



-H



-HSS



-P

### Benefits

- The 104743 Series push plate switches are designed to provide reliable activation of any automatic door.
- Designed as a universal switch, the 104743 Series fit single-gang electrical boxes with no adapters necessary.
- Durable finishes.
- Each unit is built utilizing heavy gauge stainless steel, aircraft quality rivets and screws.
- The most reliable microswitch in the industry.

### Features

- The 104742 Series features 5 1/2" round face plates in either stainless steel or blue powder coated aluminum with etched and paint-filled legends.
- Includes tamper-resistant screws.
- 5 1/2" All Active Face Plate.
- H 6" Formed Stainless Steel Back Plate.
- A surface mount box is also available. 104738-1030
- Rubber "Bellows" increases weather protection (included).
- Fits single or 2-gang Electrical Box, 104738-1030 Surface Mount Box, or 104753-R6 Mounting Box With Transmitter.

### Electrical Options

- Radio Control Versions Available

### Accessories

- 104738-1030 mounting box
- 104752-RXM Multi-Mode Receivers
- 104753-R6 Mounting Box with Transmitter
- 104753-STX-R6 Mounting Box with Sequencing Transmitter



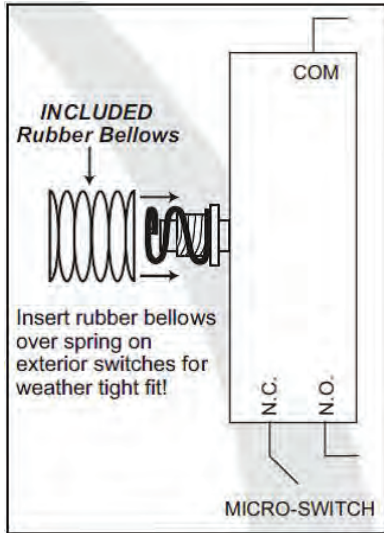
Where Trust is Built™  
**DETEX**®  
Life Safety and Security Door Hardware



## Technical Information

- 5 1/2" All Active Face Plate
- 6" Formed Stainless Steel Back Plate
- UL Listed Momentary Switch, SPDT, 15 Amp @ 125V AC
- Rubber "Bellows" increases weather protection (included)

## Riser Diagram



## Listings and Approvals



American National Standards Institute (ANSI)



Building Hardware Manufacturers Association (BHMA) - ANSI/BHMA A156.10 & A156.19

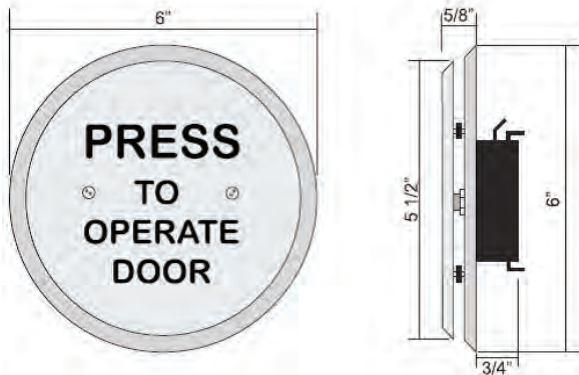


UL Approved Switches

## Warranty

1 Year Mechanical Limited Manufacturers Warranty

## Dimensions



*Where Trust is Built™*  
**DETEX®**  
*Life Safety and Security Door Hardware*

Detex Corporation  
 302 Detex Drive  
 New Braunfels, TX 78130  
 PH (830) 629-2900  
 (800) 729-3839  
 FX (830) 620-6711  
 (800) 653-3839  
<http://www.detex.com>  
 USA Sales:  
[marketing@detex.com](mailto:marketing@detex.com)  
 International Sales:  
[export@detex.com](mailto:export@detex.com)

# AO19 SERIES®

## AO19 Activation Switches 4 1/2" Square Push Plate Switches

The 104755-X switches combine architectural quality finishes with industrial grade components to provide attractive and reliable automatic door activation.



104755



-H



-HSS



-W



-WSS



-P

### Benefits

- The 104755 Series push plate switches are designed to provide reliable activation of any automatic door.
- Designed as a universal switch, the 104755 Series fit single-gang or 2-gang electrical boxes with no adapters necessary.
- Durable finishes.
- Each unit is built utilizing heavy gauge stainless steel, aircraft quality rivets and screws.
- The most reliable microswitch in the industry.

### Features

- The 104755 Series features 4" square face plates in either stainless steel or blue powder coated aluminum with etched and paint-filled legends.
- Includes tamper-resistant screws.
- 4" x 4" All Active Face Plate.
- H 4 1/2" x 4 1/2" Formed Stainless Steel Back Plate.
- A surface mount box is also available. 104738-1020
- Rubber "Bellows" increases weather protection (included).
- Fits single or 2-gang Electrical Box or #104738-1015 Surface Mount Box.

### Electrical Options

- Radio Control Versions Available

### Accessories

- 104738-1015 mounting box



- 104738-1020 Mounting Box



- 104753 Mounting Box with Transmitter



- 104792 Complete Wireless Button Package



- 104752-RXM Multi-Mode Receivers

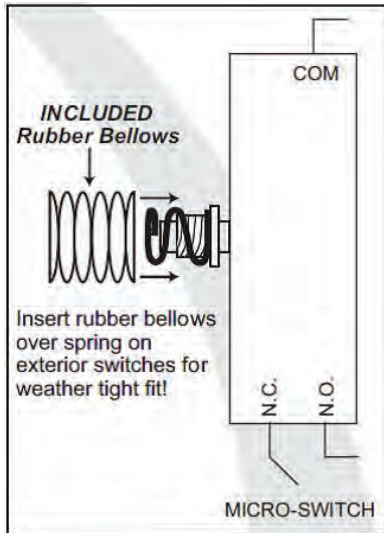


- 104786-X Wireless Vestibule Sequencing Package

## Technical Information

- 4" x 4" All Active Face Plate
- 4 1/2" x 4 1/2" Formed Stainless Steel Back Plate
- UL Listed Momentary Switch, SPDT, 15 Amp @ 125V AC
- Rubber "Bellows" increases weather protection (included)

## Riser Diagram



## Listings and Approvals



American National Standards Institute (ANSI)



Building Hardware Manufacturers Association (BHMA) - ANSI/BHMA A156.10 & A156.19

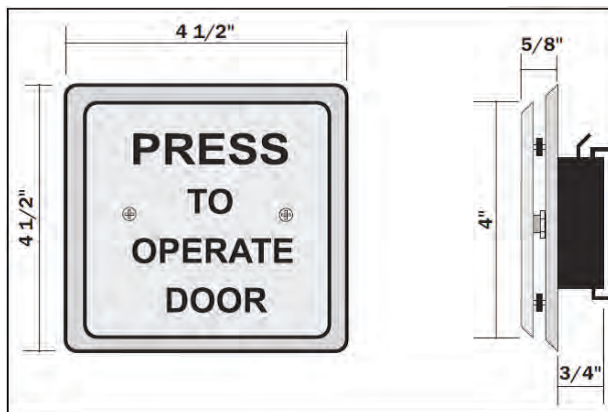


UL Approved Switches

## Warranty

1 Year Mechanical Limited Manufacturers Warranty

## Dimensions



*Where Trust is Built™*  
**DETEX®**  
*Life Safety and Security Door Hardware*

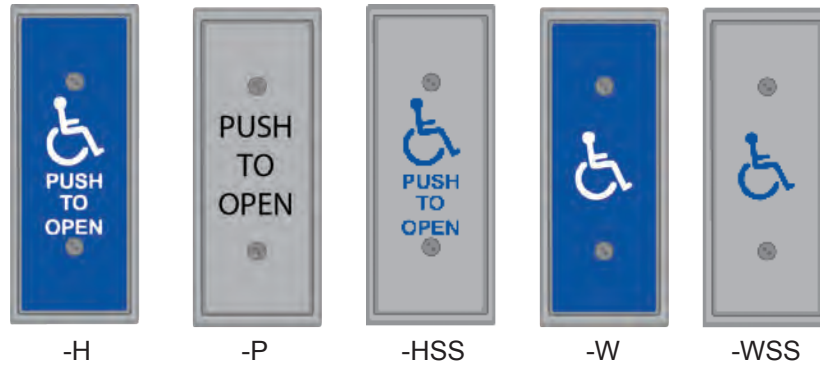
Detex Corporation  
 302 Detex Drive  
 New Braunfels, TX 78130  
 PH (830) 629-2900  
 (800) 729-3839  
 FX (830) 620-6711  
 (800) 653-3839  
<http://www.detex.com>  
 USA Sales:  
[marketing@detex.com](mailto:marketing@detex.com)  
 International Sales:  
[export@detex.com](mailto:export@detex.com)

# AO19 SERIES®

## AO19 Activation Switches

### Jamb Mount Push Plate

The 104739-X Jamb Mount switches combine architectural quality finishes with industrial grade components to provide attractive and reliable automatic door activation.



#### Benefits

- The 104739 Series push plate switches are designed to provide reliable activation of any automatic door.
- Each unit is built utilizing heavy gauge stainless steel, aircraft quality rivets and screws.
- Designed as a universal switch, the 104739 Series fits 1 3/4" Frame or 104738-1010, 104753-J Surface Mount Box with no adapters necessary.
- Durable finishes.
- The most reliable switch in the industry.

#### Features

- The 104739 Series features 1 1/2" x 4 1/2" face plates in either stainless steel or blue powder coated aluminum with etched and paint-filled legends.
- Includes tamper-resistant screws.
- 1 1/2" x 4 1/2" All Active Face Plate.
- 1 11/16" x 4 1/2" Formed Stainless Steel Back Plate.
- Rubber "Bellows" Increases Weather Protection (included).

#### Electrical Options

- Radio Control Versions Available

#### Accessories

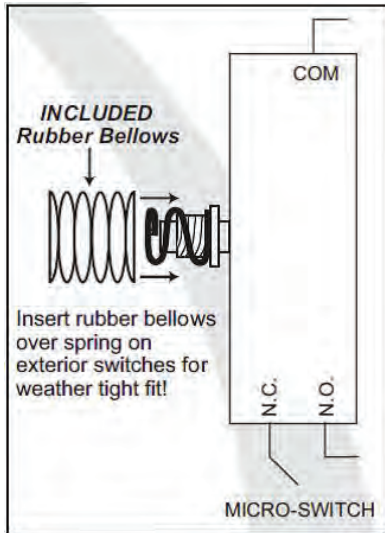
- 104738-1010 mounting box
- 104752 CP-RX Receivers
- 104753-STX-J Mounting Box with Transmitter



## Technical Information

- 1 1/2" x 4 1/2" All Active Face Plate
- 1 11/16" x 4 1/2" Formed Stainless Steel Back Plate
- UL Listed Momentary Switch, SPDT, Mom., 15 Amp @ 125V AC
- Rubber "Bellows" Increases Weather Protection (included)

## Riser Diagram



## Listings and Approvals



American National Standards Institute (ANSI)



Building Hardware Manufacturers Association (BHMA) - ANSI/BHMA A156.10 & A156.19

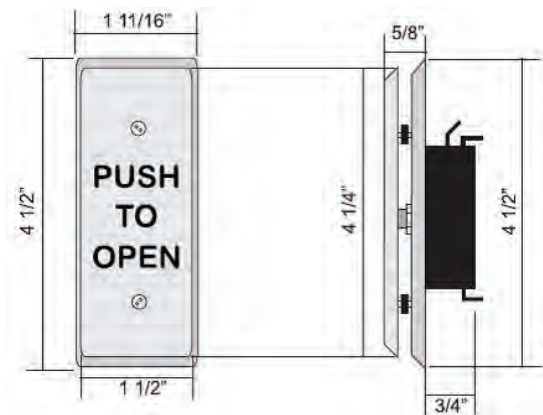


UL Approved Switches

## Warranty

1 Year Mechanical Limited Manufacturers Warranty

## Dimensions



*Where Trust is Built™*  
**DETEX®**  
*Life Safety and Security Door Hardware*

Detex Corporation  
 302 Detex Drive  
 New Braunfels, TX 78130  
 PH (830) 629-2900  
 (800) 729-3839  
 FX (830) 620-6711  
 (800) 653-3839  
<http://www.detex.com>  
 USA Sales:  
[marketing@detex.com](mailto:marketing@detex.com)  
 International Sales:  
[export@detex.com](mailto:export@detex.com)

# AO19 SERIES®

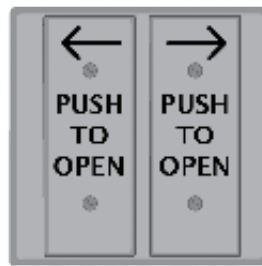
## AO19 Activation Switches

### Vestibule Push Plate

The 104744-X Vestibule switches combine architectural quality finishes with industrial grade components to provide attractive and reliable automatic door activation.



-H



-P



-HSS

### Benefits

- The 104744 Series push plate switches are designed to provide reliable activation of any automatic door.
- Designed as a universal switch, the 104744 Series fits 2-gang Electrical Box or Surface Mount Box 104738-1015, 104753-V with no adapters necessary.
- Durable finishes.
- Each unit is built utilizing heavy gauge stainless steel, aircraft quality rivets and screws.
- The most reliable microswitch in the industry.

### Features

- The 104744 Series features 2 1/2" x 4 1/2" face plates in either stainless steel or blue powder coated aluminum with etched and paint filled legends.
- 2 1/2" x 4 1/2" All Active Face Plates
- 4 1/2" x 4 1/2" Formed Stainless Steel Back Plate.
- Rubber "Bellows" increases weather protection (included).
- Includes tamper-resistant screws.

### Electrical Options

- Radio Control Versions Available

### Accessories

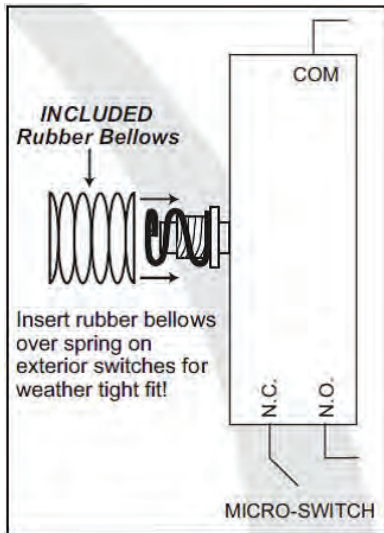
- 104738-1015 mounting box
- 104752 CP-RX Receivers
- 104753-V Mounting Box with Dual Transmitter



## Technical Information

- 2 1/2" x 4 1/2" All Active Face Plate.
- 4 1/2" x 4 1/2" Formed Stainless Steel Back Plate
- UL Listed Momentary Switch, SPDT, 15 Amp @ 125V AC
- Rubber "Bellows" increases weather protection (included)

## Riser Diagram



## Listings and Approvals



American National Standards Institute (ANSI)



Building Hardware Manufacturers Association (BHMA) - ANSI/BHMA A156.10 & A156.19

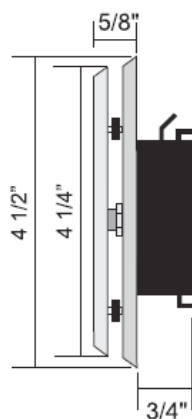
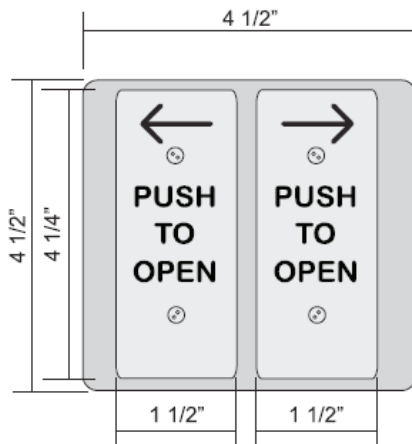


UL Approved Switches

## Warranty

1 Year Mechanical Limited Manufacturers Warranty

## Dimensions



*Where Trust is Built™*  
**DETEX®**  
*Life Safety and Security Door Hardware*

Detex Corporation  
 302 Detex Drive  
 New Braunfels, TX 78130  
 PH (830) 629-2900  
 (800) 729-3839  
 FX (830) 620-6711  
 (800) 653-3839  
<http://www.detex.com>  
 USA Sales:  
[marketing@detex.com](mailto:marketing@detex.com)  
 International Sales:  
[export@detex.com](mailto:export@detex.com)

# **AO19 SERIES<sup>®</sup>**

## **AO19 Activation Switches**

### **Keyswitch**

---

When used with automatic doors, the 105369 Series keyswitches can be used to turn an operator or any activation device on and off. The 105369 keyswitches are a simple way to provide secure activation of any automatic door.



### **Benefits**

---

- The 105369 fits Single-gang, 2-gange Electrical Boxes or Surface Mount Box #104738-1015 and #104738-1035.
- The 105369 Series keyswitches are available with a maintained (105369-1) or momentary (105369-2) contact switch.

### **Features**

---

- The heavy duty switch bracket features a switch activator dead stop which prevents the key cylinder from damaging a single switch.
- Operates with 1 1/8" to 1 1/4" mortise cylinder with Adams-Rite cam (available separately)
- Available in single gang style: 105369-5 maintained, 105369-6 momentary.
- Pluggable wiring harness.
- Available in narrow style: 105369-3 maintained, 105369-4 momentary.

### **Electrical Options**

---

- Radio Control Versions Available

### **Accessories**

---

- 104738-1015 mounting box
- 104738-1035 2" Deep Mounting Box



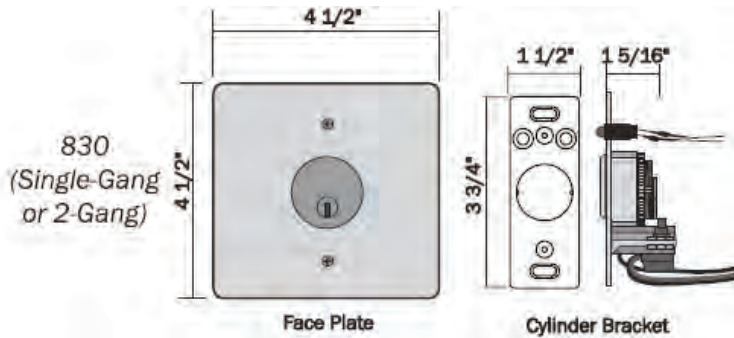
## Technical Information

---

- UL Listed Momentary Switch, SPDT, 15 Amp @ 125V AC
- Adjustable mounting holes help “Plumb and Square” key switch

## Dimensions

---



## Listings and Approvals

---



American National  
Standards Institute (ANSI)



Building Hardware Manufacturers  
Association (BHMA) - ANSI/BHMA  
A156.10 & A156.19



UL Approved Switches

## Warranty

---

3 Year Mechanical Limited Manufacturers Warranty



Detex Corporation  
302 Detex Drive  
New Braunfels, TX 78130  
PH (830) 629-2900  
(800) 729-3839  
FX (830) 620-6711  
(800) 653-3839  
<http://www.detex.com>  
USA Sales:  
[marketing@detex.com](mailto:marketing@detex.com)  
International Sales:  
[export@detex.com](mailto:export@detex.com)

# AO19 SERIES®

## AO19 Activation Accessories

### Post

The 105380-X and 105396-X Series Switch Posts are designed to provide a freestanding self-contained door activation device that can be installed at any location.



### Benefits

- Attractive and built to withstand the toughest conditions.
- The 105396 Series posts are made of 5" square tubular steel that is 1/8" thick.
- The durable LongLife™ Finish protects against rust and consists of two coats: a zinc rich base coat on all surfaces and an industrial grade exterior powder coat finish.
- The integral plastic cap allows superior wireless signal range.
- An innovative ABS plastic rust shield fits under the mounting shoe to help block the corrosive action of concrete to steel contact.
- Durable Exterior Grade LongLife™ Finish with Rust Shield in Gray or Dark Bronze.

### Features

- The 105380 Series Posts come standard with a single switch cutout.
- The 105396 Series post is available with 2 switch cutouts.
- Microswitch includes Rubber Bellows for added weather protection.
- Interchangeable Surface and Inground Mounting Shoes or External Surface Mounting Foot available.
- All versions can be ordered for either hardwired or wireless operation.
- Surface Mount with Internal Shoe.  
105380-1: Aluminum Concealed  
105380-2: Bronze Concealed  
105396-1: Aluminum Concealed  
105396-2: Bronze Concealed
- Inground Mount.  
105380-3: Aluminum Staked  
105380-4: Bronze Staked
- Surface Mount with External Shoe.  
105380-5: Aluminum Exposed  
105380-6: Bronze Exposed  
105396-5: Aluminum Exposed  
105396-6: Bronze Exposed

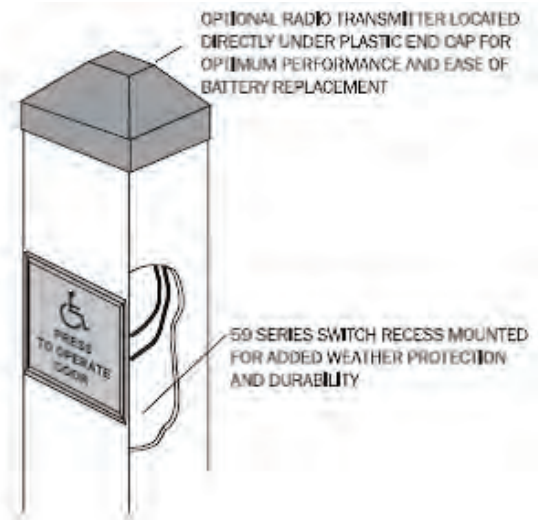
### Electrical Options

- 104753-P Post Transmitter
- 104753-STX-P Sequencing Post Transmitter

## Technical Information

- Rubber "Bellows" increases weather protection (included)
- Physical Size 5"W x 5"D x 42"H

## Riser Diagram



## Listings and Approvals

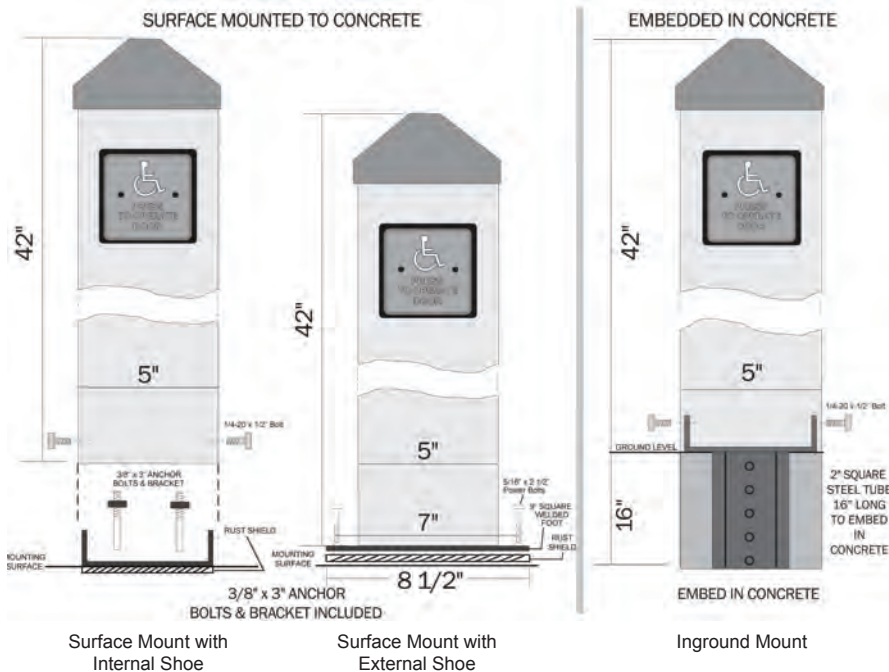


Building Hardware Manufacturers Association (BHMA) - ANSI/BHMA A156.10 & A156.19

## Warranty

1 Year Limited Manufacturers Warranty

## Dimensions



*Where Trust is Built™*  
**DETEX®**  
*Life Safety and Security Door Hardware*

Detex Corporation  
 302 Detex Drive  
 New Braunfels, TX 78130  
 PH (830) 629-2900  
 (800) 729-3839  
 FX (830) 620-6711  
 (800) 653-3839  
<http://www.detex.com>  
 USA Sales:  
[marketing@detex.com](mailto:marketing@detex.com)  
 International Sales:  
[export@detex.com](mailto:export@detex.com)

# AO19 SERIES®

## AO19 Activation Accessories Hand-Held Wireless Transmitter

The 104737 Wireless Transmitter provides the most reliable wireless activation of automatic doors available.



### Benefits

- The hand-held micro-transmitters are small enough to wear as a necklace, yet have large, easy to activate buttons.
- The transmitter can also be used interchangeably with other Manufacturer's products that operate on its frequencies as well.

### Features

- Utilizes Proprietary High Definition Radio Control™ (HDRC™) for unsurpassed signal transmission clarity
- SignalLock™ guarantees signal transmission when push plate is pressed.
- One 104737-1 (CP/TX-HH1) and Two 104737-2 (CP/TX-HH2) buttons available.
- Three user selectable frequencies available in single unit: HDRC™, 300 MHz, 390 MHz.
- Power saving circuitry extends battery life.
- Compact overall size with large activation buttons.
- FCC license for all three frequencies.
- Integrated signal radiating antenna boosts signal strength.
- The 104737 CP/TX can transmit three different frequencies.

### Electrical Options

- 104737-1 Hand-held Transmitter - 1 button
- 104737-2 Hand-held Transmitter - 2 button

### Accessories

- 104752 Multi-mode Receiver
- 104752-RXM Multi-Mode Receiver

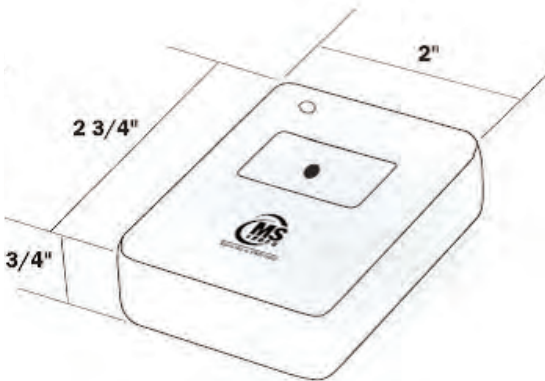
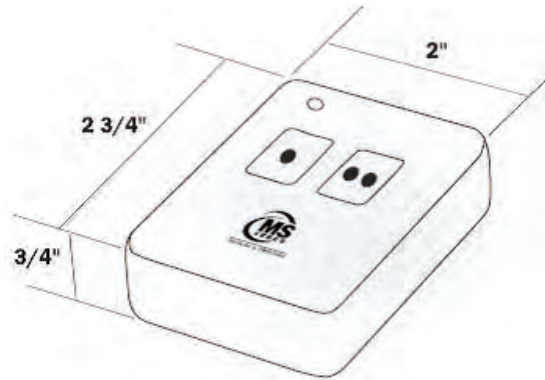
## Technical Information

---

- Temperature Range: -4°F to 140°F (-20°C to 60°C)
- 390 MHz: Compatible with MS SEDCO and GENIE™ products
- Physical Size 2"W x 3/4"D x 2 3/4"H
- 300 MHz: Compatible with Multicode™ products

## Dimensions

---



## Listings and Approvals

---



American National Standards Institute (ANSI)



Building Hardware Manufacturers Association (BHMA) - ANSI/BHMA A156.10 & A156.19

FCC

US Patent 7,545,833

## Warranty

---

1 Year Limited Manufacturers Warranty

*Where Trust is Built™*  
**DETEX®**  
*Life Safety and Security Door Hardware*

Detex Corporation  
302 Detex Drive  
New Braunfels, TX 78130  
PH (830) 629-2900  
(800) 729-3839  
FX (830) 620-6711  
(800) 653-3839  
<http://www.detex.com>  
USA Sales:  
[marketing@detex.com](mailto:marketing@detex.com)  
International Sales:  
[export@detex.com](mailto:export@detex.com)

# AO19 SERIES®

## AO19 Activation Accessories

### Transmitters

The 104753 Transmitter provides the most reliable wireless activation of automatic doors available.



104753 - 4" Box/Transmitter



104753-R4 - 4" Round Box/Transmitter  
104753-R6 - 6" Round Box/Transmitter



104753-J Jamb Mount Box/Transmitter

### Benefits

- The 104753 transmitter comes prewired and installed with battery in a surface mount box, making installation quick and easy.
- The 104753 can also be used interchangeably with other Manufacturer's products that operate on its frequencies as well.
- The 104753 can transmit three different frequencies.

### Features

- Utilizes Proprietary High Definition Radio Control™ (HDRC™) for unsurpassed signal transmission clarity.
- Three User selectable frequencies available in single unit: HDRC™, 300 MHz, and 390 MHz.
- FCC License for all three frequencies.
- SignalLock™ guarantees signal transmission when push plate switch is pressed.
- Power saving circuitry extends battery life.
- Radiating antenna boosts signal strength.
- Transmitter and battery factory prewired and installed in mounting boxes.
- Powered by standard 9V battery.
- Quick battery access.

### Electrical Options

- 104737-1 Handheld Transmitter - 1 button
- 104737-2 Handheld Transmitter - 2 buttons
- 104753-P Post Transmitter
- 104753-Vestibule Dual Transmitter
- 104753-STX 4" Square Sequencing Transmitter
- 104753-STX-P Sequencing Post Transmitter
- 104753-STX-R4 Round 4" Box/ Sequencing Transmitter
- 104753-STX-R6 Round 6" Box/ Sequencing Transmitter

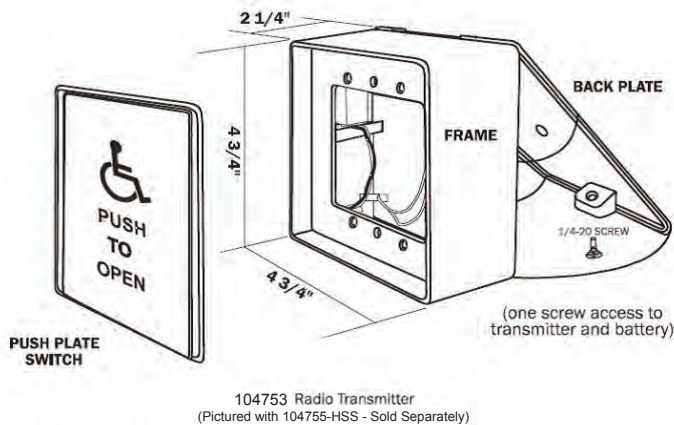
## Accessories

- 104752 Multi-Mode Dual Receiver
- 104739 Jamb Mount Push Plate (used with 104753-J Box/Transmitter)
- 104752-RXM Multi-Mode Receiver with RXM
- 104742 4 1/2" Round Push Plate (used with 104753-R4, 104753-STX-R4)
- 104743 6" Round Push Plate (used with 104753-R6, 104753-STX-R6)
- 104744 Vestibule Double Push Plate (used with 104753-V Box/Transmitter)
- 104755 4 1/2" Square Push Plate (used with 104753, 104753-STX)

## Technical Information

- Power Requirements: 9V Battery
- Temperature Range -4°F to 140°F (-20°C to 60°C)
- 300 MHz: Compatible with Multicode™ products
- 390 MHz: Compatible with MS SEDCO and GENIE™ products
- Physical Size: 2 1/4"W x 2 1/4"D x 2"H
- Weight: 1.46 lbs. (663g)

## Dimensions



## Warranty

1 Year Mechanical Limited Manufacturer's Warranty

## Listings and Approvals

FCC

US patent 7,545,833



Building Hardware Manufacturers Association (BHMA) - ANSI/BHMA A156.10 & A156.19

*Where Trust is Built™*  
**DETEX®**  
*Life Safety and Security Door Hardware*

Detex Corporation  
302 Detex Drive  
New Braunfels, TX 78130  
PH (830) 629-2900  
(800) 729-3839  
FX (830) 620-6711  
(800) 653-3839  
<http://www.detex.com>  
USA Sales:  
[marketing@detex.com](mailto:marketing@detex.com)  
International Sales:  
[export@detex.com](mailto:export@detex.com)

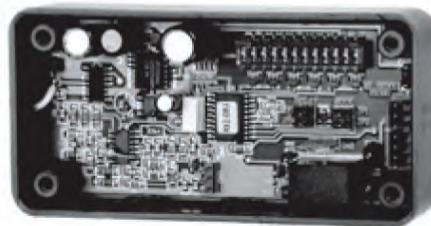
# AO19 SERIES®

## AO19 Activation Accessories

### Multi-Mode Wireless Receiver

---

The 104752 Wireless Receiver provides the most reliable wireless activation of automatic doors available.



---

## Benefits

- Utilizes Proprietary High Definition Radio Control™ (HDRC™) for unsurpassed signal transmission clarity.

---

## Features

- The 104752 can also be used interchangeably with other manufacturer's products that operate on its frequencies.
- The 104752 accepts three different frequencies: HDRC, 300MHz, 390MHz.
- 104752 can be easily programmed to become a timer, dual receiver or a sequencing receiver.

---

## Electrical Options

- Mode 1: Standard Receiver (factory setting)
- Mode 2: Receiver with Adjustable Time Delay
- Mode 3\*: Dual Channel Receiver
- Mode 4\*: Receiver With Sequenced Outputs
- Mode 5\*\*: Receiver with Ratchet Relay

---

\*Modes 3 & 4 require the RXM Add-On Module. This Module plugs directly onto the CP/RX main circuit board and provides a second output.

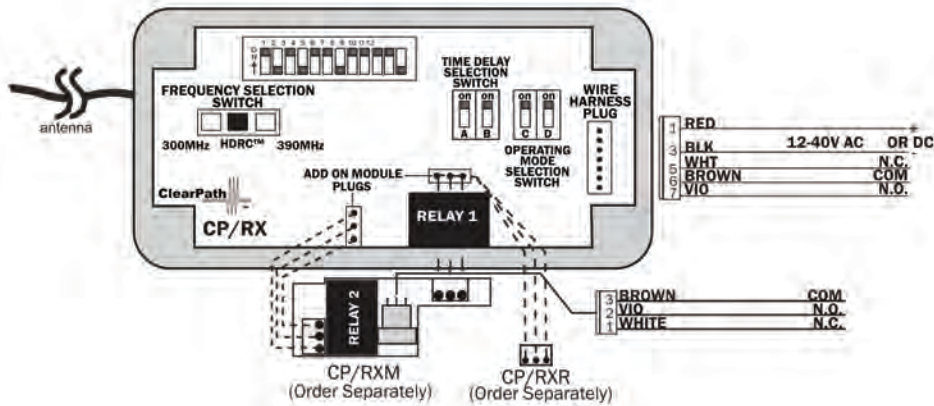
\*\*Mode 5 requires the RXR Add-On Module. The Module plugs directly onto the CP/RX main circuit board and allows for initial signal to hold relay closed until a second signal is received.



## Technical Information

- Power Requirements: 12V to 24V AC or DC
- Temperature Range: -22°F to 158°F (-30°C to 70°C)
- 390 MHz: Compatible with MS SEDCO and GENIE™ products
- Relay Contact Rating: 3 amp @ 24V AC
- Weight: <0.25 lbs.
- Physical size: 4”L x 2”W x 1”H
- 300 MHz: Compatible with Multicode™ products

## Dimensions



## Listings and Approvals



American National Standards Institute (ANSI)



Building Hardware Manufacturers Association (BHMA) - ANSI/BHMA A156.10 & A156.19

FCC

US patent 7,545,833

## Warranty

1 Year Limited Manufacturers Warranty



Detex Corporation  
 302 Detex Drive  
 New Braunfels, TX 78130  
 PH (830) 629-2900  
 (800) 729-3839  
 FX (830) 620-6711  
 (800) 653-3839  
<http://www.detex.com>  
 USA Sales:  
[marketing@detex.com](mailto:marketing@detex.com)  
 International Sales:  
[export@detex.com](mailto:export@detex.com)

# AO19 SERIES®

## AO19 Safety Presence Sensor FRM-AI Presence Sensor

---

The 104790 sensor is a 4-row presence sensor designed to provide safety protection for all types of automatic doors. The 104790 is based upon the most reliable active infrared (AI) technology available - Floor Reflection Method (FRM).



### Benefits

---

- One sensor covers any safety zone application.
- SafePath Maximum Pattern Infrared (MPI™) sensors use more beams than other manufacturers and provide a level of safety not found in other standalone infrared sensors.
- There is no lens or zone masking required.
- The pattern width and depth are both mechanically adjustable. In addition the depth can be altered electronically from 5 to 2 rows.
- All adjustments are available without the use of proprietary set-up devices.

### Features

---

- Up to 32 detection zones.
- Mount up to 10' (3m) high.
- Mechanical width settings (from 36" to over 7')
- Electronic depth adjustment from 1 to 4 rows (also 0° to 10° tilt settings)
- Quick-connect wiring (harness included)
- Four Presence Timer and frequency settings
- Sensitivity Adjustment Variable (via potentiometer)

### Accessories

---

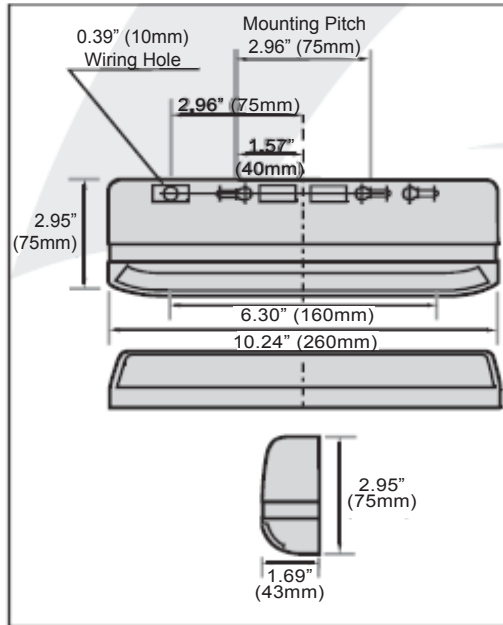
- Cable: 10 ft. (3m)
- Rain cover available (contact factory)

## Technical Information

- Temperature Range: -4°F to 140°F (-20°C to 60°C)
- 12V to 24V AC or DC operation
- Form C Dry Relay Contact (N.O., COM, N.C.)
- Weight: approx. 0.8 lbs. (0.35 kg)

0.39" (10mm)  
Wiring Hole

## Dimensions



## Listings and Approvals



American National  
Standards Institute (ANSI)



Building Hardware Manufacturers  
Association (BHMA) - ANSI/BHMA  
A156.10

Enclosure Rating IP54 (IEC60529)

CE

## Warranty

1 Year Mechanical Limited Manufacturers Warranty

*Where Trust is Built™*  
**DETEX®**  
*Life Safety and Security Door Hardware*

Detex Corporation  
302 Detex Drive  
New Braunfels, TX 78130  
PH (830) 629-2900  
(800) 729-3839  
FX (830) 620-6711  
(800) 653-3839  
<http://www.detex.com>  
USA Sales:  
[marketing@detex.com](mailto:marketing@detex.com)  
International Sales:  
[export@detex.com](mailto:export@detex.com)

# AO19 SERIES®

## AO19 Safety Presence Sensor Swing Door Mounted Presence Sensor

The Detex 105395 is a door-mounted presence sensor designed to provide safety protection for any swing, bi-fold, revolving and low-energy automatic doors.



### Benefits

- The presence sensor mounts on either side or both sides of a door panel, depending upon the application.
- On swing doors, while the door is opening, the presence sensor will sense and protect a person in its path and either slow or stop the door.
- When the door is closing, the presence sensor will sense a person in its path and reopen the door.
- The presence sensor combines the most reliable active infrared technology available with Position Sensitive Detection (PSD) technology found in auto-focus cameras to ensure the precise pedestrian detection within the path of a moving door panel.
- The detection area width can be increased by inserting additional PSD sensor modules into the 34 1/2" long extruded aluminum housing.
- The presence sensor mounts near the top of the door panel out of harm's way. PSD sensor technology automatically focuses the sensor lenses to dipswitch-controlled height settings.
- Each sensor module's detection zone can be adjusted independently.

### Features

- Detection Method: Active Infrared with Position Sensitive Detection (PSD)
- Max. Installation Height: 8'6" (2.6m)
- Detection Range: 0'-7'10" (0-2.4m)
- Range Adjustment: 4'7" (1.4m), 5'3" (1.6m), 5'11" (1.8m), 6'7" (2.0m), 7'3" (2.2m), 7'10" (2.4m)
- Beam Angle Adjustment: 5°, 10°, 15°, 20°, 25°
- Power Supply: 12-24 VAC or VDC ± 10%
- Presence Timer: Infinity

### Accessories

- The 105395-1 contains a single PSD sensor module and is ideal for low-energy doors.
- The 105395-2 contains two PSD sensor modules, doubling detection capability and providing safety for full energy doors.
- The 105395-3 contains three PSD sensor modules for the highest level of safety.

## Technical Information

- Power Consumption (per sensor module): AC12V-1.1VA, DC12V-60mA, AC24V-1.6VA, DC24V-35mA
- Output contact: Form C Relay; DC50V 0.1A Non Voltage 1C
- Temperature Range: -4°F to 140°F (-20°C to 60°C)
- Response time: <50ms
- Delay Hold Time: 0.5, 1, 2, 4.5 sec
- Weight: 1.8 lbs. (0.8kg)

## Riser Diagram -



## Listings and Approvals



American National Standards Institute (ANSI)

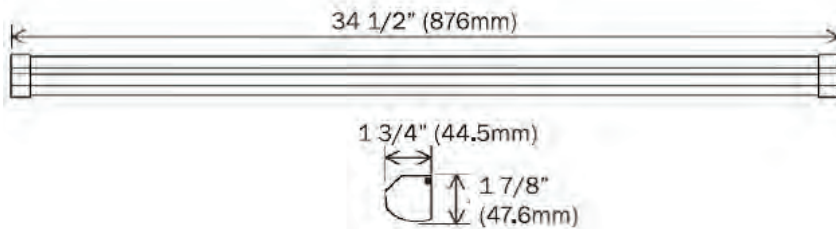


Building Hardware Manufacturers Association (BHMA) - ANSI/BHMA A156.10, A156.19, A156.27

## Warranty

1 Year Mechanical Limited Manufacturers Warranty

## Dimensions



*Where Trust is Built™*  
**DETEX®**  
*Life Safety and Security Door Hardware*

Detex Corporation  
302 Detex Drive  
New Braunfels, TX 78130  
PH (830) 629-2900  
(800) 729-3839  
FX (830) 620-6711  
(800) 653-3839  
<http://www.detex.com>  
USA Sales:  
[marketing@detex.com](mailto:marketing@detex.com)  
International Sales:  
[export@detex.com](mailto:export@detex.com)

# *Life Safety and Security Door Hardware*



# EXIT CONTROL LOCKS

## ECL-230D, ECL-230D-PH

### Exit Control Hardware

The ECL-230 is a **code compliant, battery alarmed, rugged dead bolt**, panic device with **steel plate and photo-luminescent sign** providing managed security and a **100 decibel alarm** for **secondary exits**.



### Benefits

- Attack resistant design withstands over 2200 lbs. of outside pull force
- Proven durability and reliability at a reasonable price
- Reduces employee and customer theft
- Easy to install
- Time tested construction resists attack from the inside
- Durable steel plate with photo luminescent sign absorbs light to then “glow in the dark” when lights are dimmed
- Easy to see if the lights go out
- Straightforward operation that everyone understands

### Features

- Single point, 1" throw dead bolt
- Saw resistant dead bolt
- Corrosion resistant alloy lock body
- 100 decibel alarm, powered by 9-volt battery (included)
- Accepts 5-pin through 7-pin standard and interchangeable core rim cylinders
- Resetting the alarm can only be accomplished with a control key
- Non-handed
- Locking and unlocking the dead bolt always arms and disarms the alarm

### Mechanical Options

- Gray Finish (Std.)
- Black Finish (BK)
- English Push Plate Sign (Std.)
- Other Languages available (call factory for details)
- For Panic Hardware on 36" doors see ECL-230D-PH
- Fire-Rated Option see ECL-600
- ECL-437K - Surface Strike (Std.)

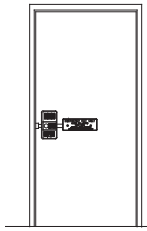
## Accessories

- ECL-436K for ECL-230D, ECL-2100K for ECL-230D-PH - Bar Guard Kit - to protect end of bar, when required by code
- RC65 - Rim Cylinder, Schlage "C" Keyway with 2 keys
- ECL-1595 - Cylinder Collar required for 6 or 7 pin cylinders
- VRA-143 - Vertical Rod Assembly provides 2 point locking (see VRA-143 product sheet)
- BE-961-2 - Hard wired Conversion Kit, eliminates battery
- ECL-435K - Adjustable Surface Keeper Bracket for some double door applications
- ECL-475 - Decorative back plate for use on narrow stile doors

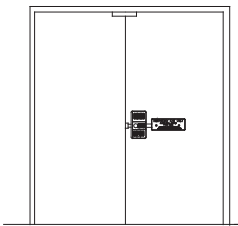
## Technical Information

- Door Types - Wood, Hollow Metal or Aluminum
- Door Thickness - Fits standard 1-3/4" - 2-1/4"
- Minimum standard door width for ECL-230D is 20"
- Minimum standard door width for ECL-230D-PH is 34"
- Double Door requirements:
  - (1) ECL-230
  - (1) RC65
  - (1) ECL-435K
  - (1) DDH-2250 } or (1) VRA-143
  - or
  - (2) ECL-230D
  - (2) RC65
  - (1) 90KR
- Door Stile - Fits minimum 5-3/4" with ECL-437K Strike (Std.)
- Door Stile - Fits minimum 1-7/8" with ECL-475 Kit
- Machine and Sheet Metal Screws (Std.)
- Optional Sex Nuts or Security Torx Screws Available

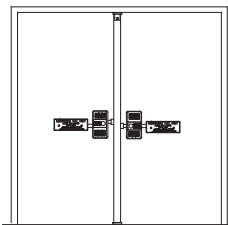
## Riser Diagram



Single Door

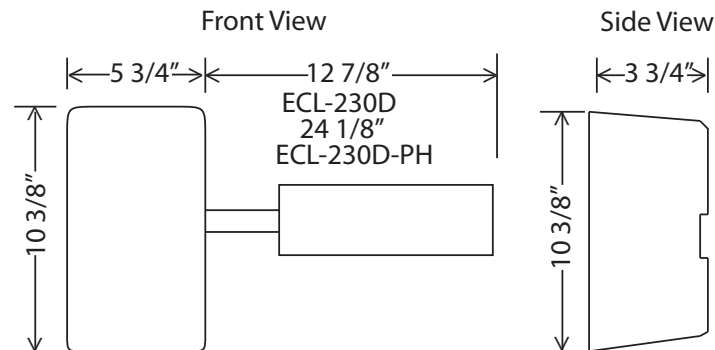


Double Doors with DDH-2250 Double Door Holder Adjustable Keeper (ECL-435K)



Double Doors with Key Removable Mullion Vertical Rod Assemblies also available (Part #VRA-143)

## Dimensions



## Listings and Approvals



UL Listed  
Panic Hardware  
988N-Grade 3



Meets ADA requirements



Meets NFPA 101 for Life Safety, CA Title 19 & { Only ECL-230D-PH



ANSI/BHMA requirements for all Building Codes



California State Fire Marshall - 4140-0127:102

## Detex Limited Warranty

10 Year Limited Manufacturers Warranty

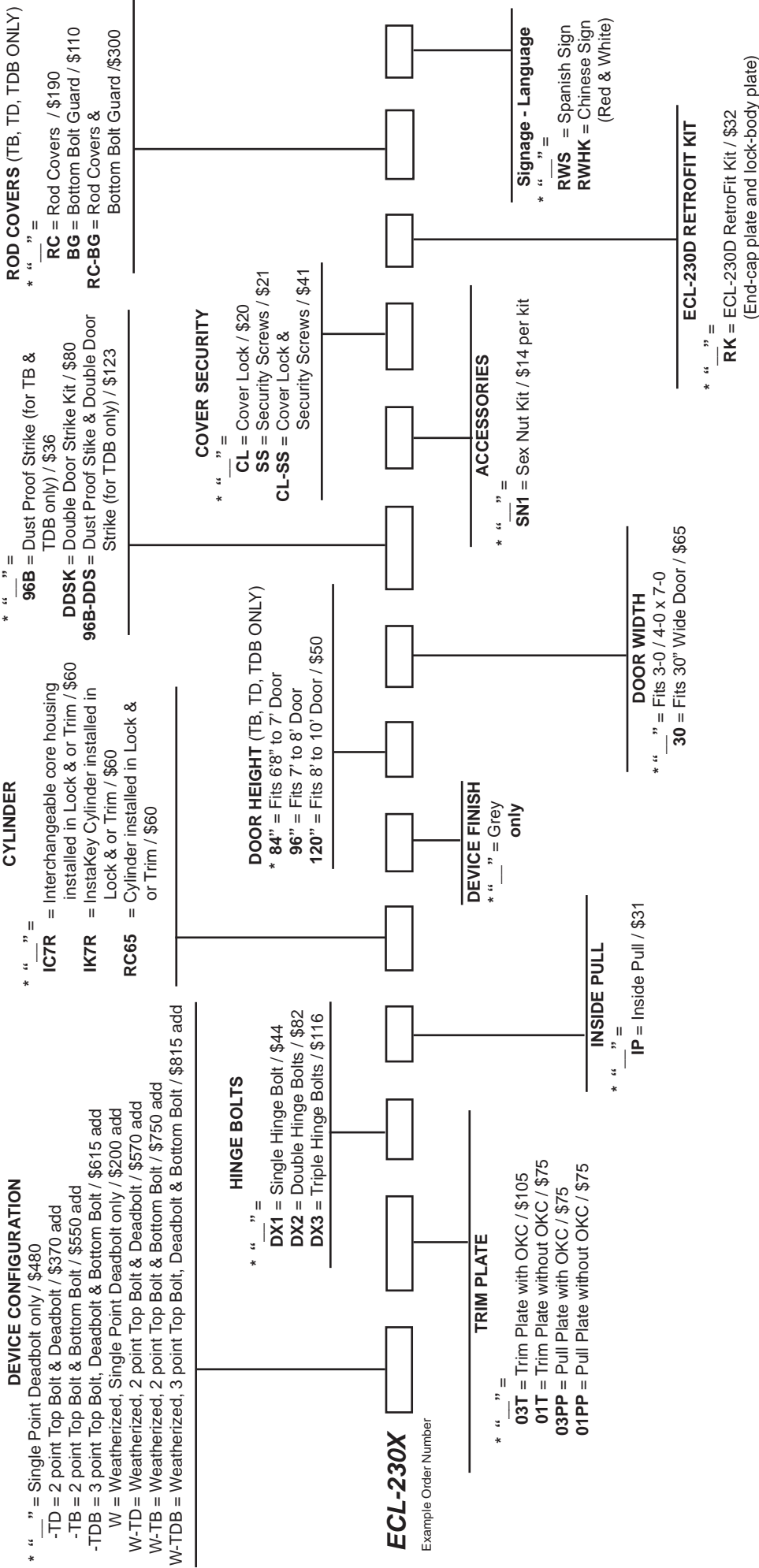
*Where Trust is Built™*  
**DETEX®**  
*Life Safety and Security Door Hardware*

Detex Corporation  
302 Detex Drive  
New Braunfels, Texas 78130-3045 USA  
PH. (830) 629-2900  
(800) 729-3839  
FAX (830) 620-6711  
(800) 653-3839  
<http://www.detex.com>  
USA Sales:  
[marketing@detex.com](mailto:marketing@detex.com)  
International Sales:  
[export@detex.com](mailto:export@detex.com)



# ECL-230X HOW TO ORDER

## (Includes Summary Descriptions)



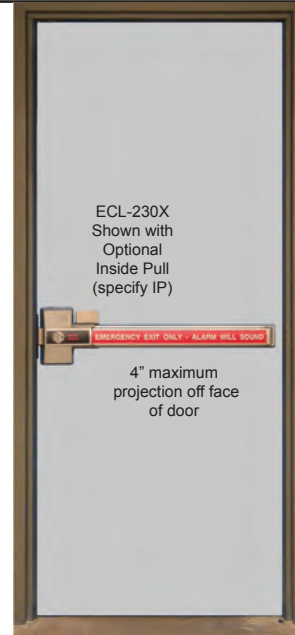
**NOTE:** \* = default  
Contact factory for availability  
of combined options

# EXIT CONTROL LOCKS

## ECL-230X (Dead Bolt)

### Exit Control Hardware

The ECL-230X is a **code compliant, battery alarmed, rugged dead bolt, panic device with photo-luminescent sign** providing maximum security and a **100 decibel alarm for secondary exits.**



### Benefits

- Attack resistant design for maximum holding force
- Proven durability and reliability at a reasonable price
- Easy to install
- Reduces employee and customer theft
- Time tested construction resists attack from the inside
- One size fits 36"-48" doors for code compliant acceptance
- For additional security with 4 locking points, specify ECL-230X-DX3
- Easy to see if the lights go out
- Straightforward operation that everyone understands

### Features

- Dead bolt lock -1" throw with just over 3/4" engagement with the frame
- Saw resistant dead bolt
- Corrosion resistant alloy lock body
- 100 decibel alarm, powered by 9-volt battery (included)
- Surface/flush reversible strike
- Accepts 5-pin through 7-pin standard and interchangeable core rim cylinders without using cylinder collar
- Durable photo-luminescent sign absorbs light to then "glow in the dark" when lights are dimmed
- Locking and unlocking (dead bolt) always arms and disarms the alarm
- Non-handed
- Low profile meets International Building Code requirement allowing for 4" maximum projection off face of door
- Resetting the alarm can only be accomplished with a control key
- For 9VDC hardwiring add BE-961-1 or BE-961-2

### Mechanical Options

- Gray Finish (Std.)  
Note: Contact factory for additional finishes
- H - Hurricane Rated
- 30 - Fits 30" wide door
- DX1 - Add hinge side protection with one hinge bolt for 2 locking points (3/4" frame engagement)
- DX2 - Add hinge side protection with two hinge side bolts for 3 locking points (3/4" frame engagement)
- DX3 - For maximum hinge side protection add three hinge side bolts for 4 locking points (3/4" frame engagement)
- English Push Plate Sign (Std.)
- RWS - Spanish Sign
- Other Languages available (call factory for details)

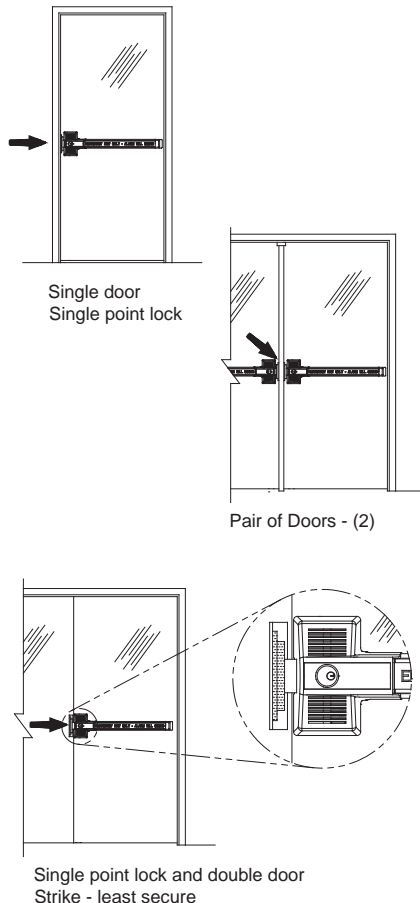
## Mechanical Options Continued

- 03T - Trim Plate
- 03PP - Pull Plate
- Rim cylinder required for 03 Trims (sold separately)
- 01T - Trim Plate
- 01PP - Pull Plate
- IC7R - Interchangeable core housing installed in Lock & or Trim
- IK7R - InstaKey Cylinder installed in Lock & or Trim
- RC65 - Rim Cylinder, Schlage "C" Keyway with 2 keys installed in Lock & or Trim
- IP - Inside Pull
- DDSK - Double Door Strike Kit
- SN1 - Sex Nut Kit
- CL - Cover Lock (Standard on TB configuration)
- SS - Security Screws
- CL-SS - Cover Lock & Security Screws
- RK - ECL-230D RetroFit Kit (End-cap plate & lock-body plate)
- BE-961 - Hardwired Conversion Kit, eliminates battery (Sold Separately)

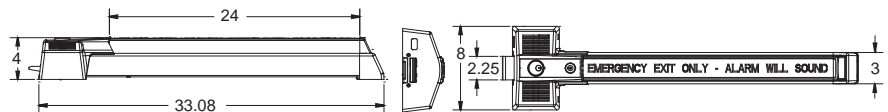
## Technical Information

- Door Types - Wood, Hollow Metal
- Door Thickness - Fits standard 1-3/4" - 2-1/4"
- Standard Device fits 36"-48" door
- Optional Device fits 30"-36" door
- Double Door requirements:
  - (1) ECL-230X
  - (1) RC65
  - (1) DDSK
  - (1) DDH-2250
  - or
  - (2) ECL-230X
  - (2) RC65
  - (1) 90KR
- Machine and Sheet Metal Screws (Std.)
- Optional Sex Nuts or Security Torx Screws Available

## Riser Diagram



## Dimensions



## Listings and Approvals



UL Listed  
Panic Hardware  
988N-Grade 2



Meets ADA requirements



Meets NFPA 101  
for Life Safety,  
CA Title 19



ANSI/BHMA  
requirements for all  
Building Codes



California State Fire Marshal -  
4140-0127:102

Meets International Building Code

## Detex Limited Warranty

10 Year Limited Manufacturers  
Warranty

*Where Trust is Built™*  
**DETEX®**  
*Life Safety and Security Door Hardware*

Detex Corporation  
302 Detex Drive  
New Braunfels, Texas 78130-3045 USA  
PH. (830) 629-2900  
(800) 729-3839  
FAX (830) 620-6711  
(800) 653-3839  
<http://www.detex.com>  
USA Sales:  
[marketing@detex.com](mailto:marketing@detex.com)  
International Sales:  
[export@detex.com](mailto:export@detex.com)

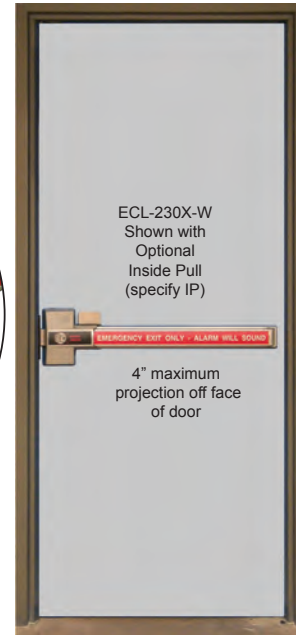
# EXIT CONTROL LOCKS

## ECL-230X-W (Weatherized Dead Bolt)

### Exit Control Hardware

The ECL-230X-W is a **code compliant, battery alarmed, rugged dead bolt**, panic device with **photo-luminescent sign** providing maximum security and a **100 decibel alarm for secondary exits**.

This device conforms to UL1034-34 Temperature Section 34, UL1034-54 Dust Section 54, MIL-STD 810F, Method 506.4 (driving rain test); MIL-STD 810F and Method 509.4 (salt fog test).



### Benefits

- Attack resistant design for maximum holding force
- Weather resistant design for use in outdoor or wet environments
- Proven durability and reliability at a reasonable price
- Easy to install
- Reduces employee and customer theft
- Time tested construction resists attack from the inside
- One size fits 36"-48" doors for code compliant acceptance
- For additional security with 4 locking points, specify ECL-230X-W-DX3
- Easy to see if the lights go out
- Straightforward operation that everyone understands

### Features

- Dead bolt lock -1" throw with just over 3/4" engagement with the frame
- Saw resistant dead bolt
- Corrosion resistant alloy lock body
- 100 decibel alarm, powered by 9-volt battery (included)
- Surface/flush reversible strike
- Accepts 5-pin through 7-pin standard and interchangeable core rim cylinders without using cylinder collar
- Durable photo-luminescent sign absorbs light to then "glow in the dark" when lights are dimmed
- Locking and unlocking (dead bolt) always arms and disarms the alarm
- Non-handed
- Low profile meets International Building Code requirement allowing for 4" maximum projection off face of door
- Resetting the alarm can only be accomplished with a control key
- For 9VDC hardwiring add BE-961-1 or BE-961-2

### Mechanical Options

- Gray Finish (Std.)  
Note: Contact factory for additional finishes
- H - Hurricane Rated
- 30 - Fits 30" wide door
- DX1 - Add hinge side protection with one hinge bolt for 2 locking points (3/4" frame engagement)
- DX2 - Add hinge side protection with two hinge side bolts for 3 locking points (3/4" frame engagement)
- DX3 - For maximum hinge side protection add three hinge side bolts for 4 locking points (3/4" frame engagement)
- English Push Plate Sign (Std.)
- RWS - Spanish Sign
- Other Languages available (call factory for details)

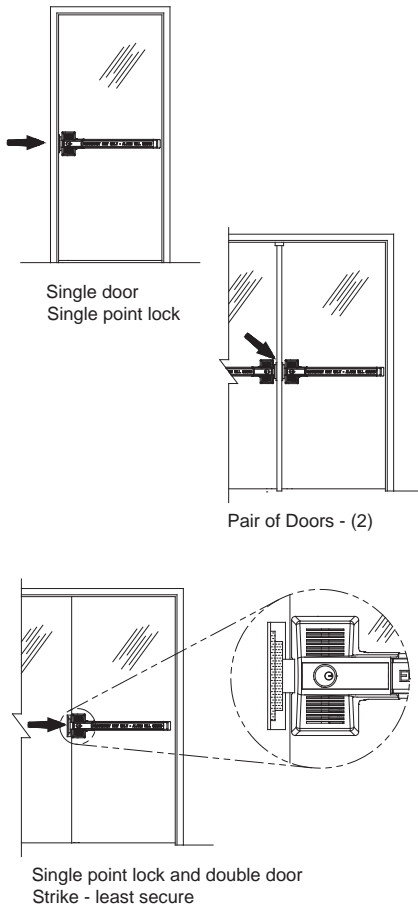
## Mechanical Options Continued

- 03T - Trim Plate
- 03PP - Pull Plate
- Rim cylinder required for 03 Trims (sold separately)
- 01T - Trim Plate
- 01PP - Pull Plate
- IC7R - Interchangeable core housing installed in Lock & or Trim
- IK7R - InstaKey Cylinder installed in Lock & or Trim
- RC65 - Rim Cylinder, Schlage "C" Keyway with 2 keys installed in Lock & or Trim
- IP - Inside Pull
- DDSK - Double Door Strike Kit
- SN1 - Sex Nut Kit
- CL - Cover Lock (Standard on TB configuration)
- SS - Security Screws
- CL-SS - Cover Lock & Security Screws
- RK - ECL-230D RetroFit Kit (End-cap plate & lock-body plate)
- BE-961 - Hardwired Conversion Kit, eliminates battery (Sold Separately)  
NOTE: BE-961 is not weatherized, protect with NEMA enclosure.

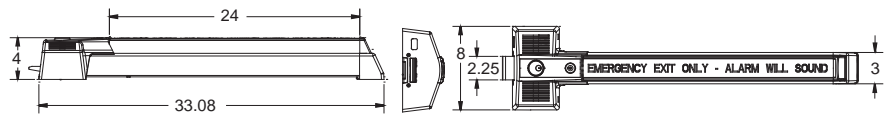
## Technical Information

- Door Types - Wood, Hollow Metal
- Door Thickness - Fits standard 1-3/4" - 2-1/4"
- Standard Device fits 36"-48" door
- Optional Device fits 30"-36" door
- Double Door requirements:  
(1) ECL-230X-W  
(1) RC65  
(1) DDSK  
(1) DDH-2250  
or  
(2) ECL-230X-W  
(2) RC65  
(1) 90KR
- Machine and Sheet Metal Screws (Std.)
- Optional Sex Nuts or Security Torx Screws Available

## Riser Diagram



## Dimensions



## Listings and Approvals



UL Listed  
Panic Hardware  
988N-Grade 2

UL1034-34 Temperature Section 34  
[Temperature Range -31° F (-35° C) to  
150° F (+66° C)]

UL 1034-54 Dust Section 54



Meets ADA requirements



Meets NFPA 101  
for Life Safety,  
CA Title 19



ANSI/BHMA  
requirements for all  
Building Codes



California State Fire Marshall -  
4140-0127:102

Meets International Building Code

## Detex Limited Warranty

10 Year Limited Manufacturers  
Warranty

*Where Trust is Built™*  
**DETEX®**  
*Life Safety and Security Door Hardware*

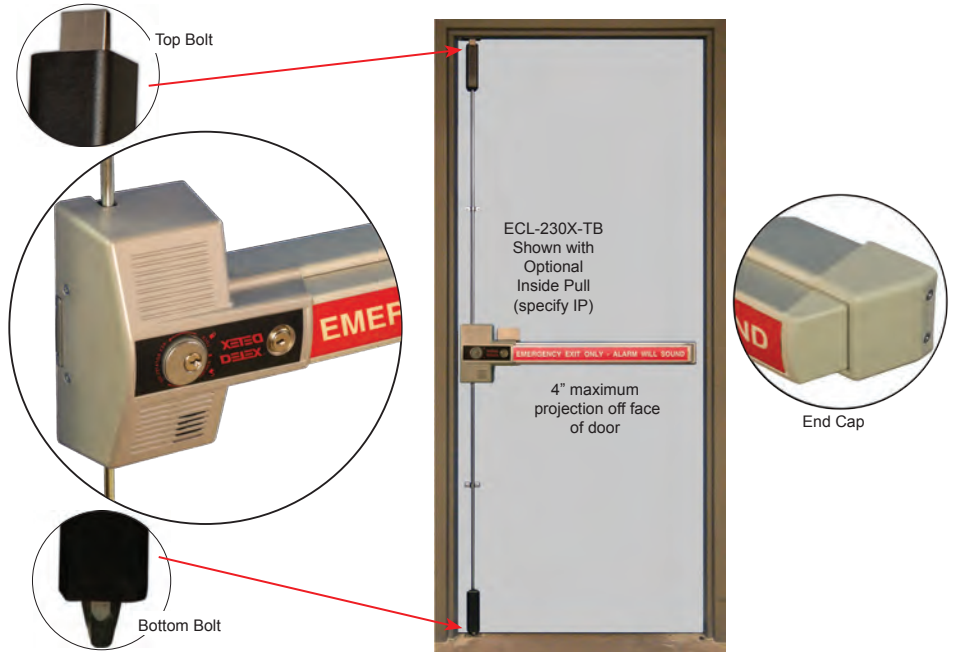
Detex Corporation  
302 Detex Drive  
New Braunfels, Texas 78130-3045 USA  
PH. (830) 629-2900  
(800) 729-3839  
FAX (830) 620-6711  
(800) 653-3839  
<http://www.detex.com>  
USA Sales:  
[marketing@detex.com](mailto:marketing@detex.com)  
International Sales:  
[export@detex.com](mailto:export@detex.com)

# EXIT CONTROL LOCKS

## ECL-230X-TB (Top and Bottom Bolt)

### Exit Control Hardware (Double Door Application)

The ECL-230X-TB is a **code compliant, battery alarmed, rugged 2-point dead bolt**, panic device with **photo-luminescent sign** providing maximum security and a **100 decibel alarm** for **secondary exits**.



#### Benefits

- Attack resistant design for maximum holding force
- Proven durability and reliability at a reasonable price
- Easy to install
- Reduces employee and customer theft
- Time tested construction resists attack from the inside
- One size fits 36"-48" doors for code compliant acceptance
- For additional security with 5 locking points, specify ECL-230X-TB-DX3
- Easy to see if the lights go out
- Straightforward operation that everyone understands

#### Features

- 2-point, 3/4" throw top and bottom locks with just over 5/8" engagement with the strike
- Saw resistant dead bolts
- Corrosion resistant alloy lock body
- 100 decibel alarm, powered by 9-volt battery (included)
- Surface/flush reversible strike
- Accepts 5-pin through 7-pin standard and interchangeable core rim cylinders without using cylinder collar
- Durable photo-luminescent sign absorbs light to then "glow in the dark" when lights are dimmed
- Locking and unlocking (dead bolt) always arms and disarms the alarm
- Non-handed
- Low profile meets International Building Code requirement allowing for 4" maximum projection off face of door
- Resetting the alarm can only be accomplished with a control key
- For 9VDC hardwiring add BE-961-1 or BE-961-2

#### Mechanical Options

- Gray Finish (Std.)  
Note: Contact factory for additional finishes
- 84" - Fits 6'8" to 7' door
- 96" - Fits 7' to 8' door
- 120" - Fits 8' to 10' door
- 30 - Fits 30" wide door
- DX1 - Add hinge side protection with one hinge bolt for 3 locking points (3/4" frame engagement)
- DX2 - Add hinge side protection with two hinge side bolts for 4 locking points (3/4" frame engagement)
- DX3 - For maximum hinge side protection add three hinge side bolts for 5 locking points (3/4" frame engagement)
- English Push Plate Sign (Std.)
- RWS - Spanish Sign
- Other Languages available (call factory for details)

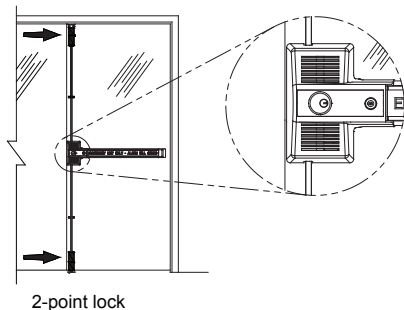
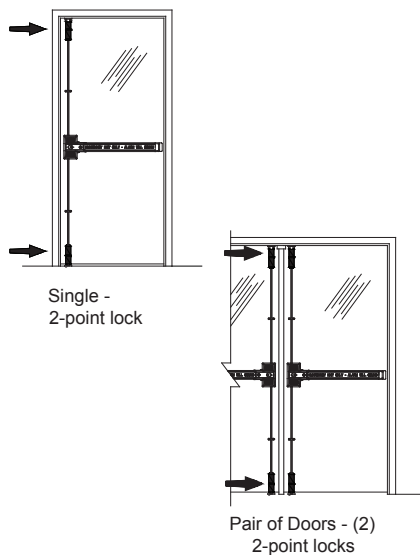
## Mechanical Options Continued

- 03T - Trim Plate
- 03PP - Pull Plate
- Rim cylinder required for 03 Trims (sold separately)
- 01T - Trim Plate
- 01PP - Pull Plate
- IC7R - Interchangeable core housing installed in Lock & or Trim
- IK7R - InstaKey Cylinder installed in Lock & or Trim
- RC65 - Rim Cylinder, Schlage "C" Keyway with 2 keys installed in Lock & or Trim
- IP - Inside Pull
- 96B - Dust Proof Strike
- DDSK - Double Door Strike Kit
- 96B-DDS - Dust Proof Strike & Double Door Strike
- SN1 - Sex Nut Kit
- CL - Cover Lock (Standard on TB configuration)
- SS - Security Screws
- CL-SS - Cover Lock & Security Screws
- RK - ECL-230D RetroFit Kit (End-cap plate & lock-body plate)
- RC - Rod Covers
- BG - Bottom Bolt Guard
- RC-BG - Rod Covers & Bottom Bolt Guard
- BE-961 - Hardwired Conversion Kit, eliminates battery (Sold Separately)

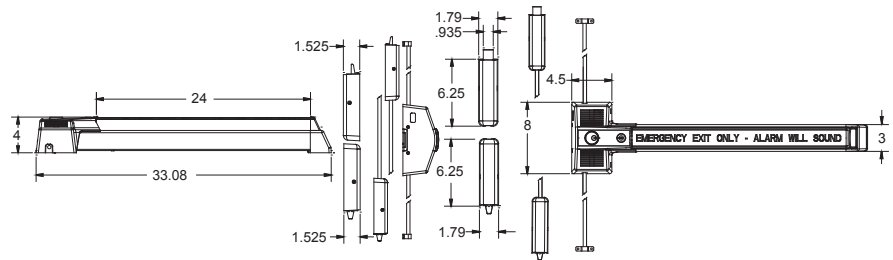
## Technical Information

- Door Types - Wood, Hollow Metal
- Door Thickness - Fits standard 1-3/4" - 2-1/4"
- Standard Device fits 36"-48" door
- Optional Device fits 30"-36" door
- Double Door requirements:
  - (1) ECL-230X-TB
  - (1) RC65
  - (1) DDSK
  - (1) DDH-2250
  - or
  - (2) ECL-230X-TB
  - (2) RC65
  - (1) 90KR
- Machine and Sheet Metal Screws (Std.)
- Optional Sex Nuts or Security Torx Screws Available

## Riser Diagram



## Dimensions



## Listings and Approvals



UL Listed  
Panic Hardware  
988N-Grade 2



Meets ADA requirements



Meets NFPA 101 for Life Safety, CA Title 19



ANSI/BHMA requirements for all Building Codes



California State Fire Marshal - 4140-0127:102

Meets International Building Code

## Detex Limited Warranty

10 Year Limited Manufacturers Warranty



Detex Corporation  
302 Detex Drive  
New Braunfels, Texas 78130-3045 USA  
PH. (830) 629-2900  
(800) 729-3839  
FAX (830) 620-6711  
(800) 653-3839  
<http://www.detex.com>  
USA Sales:  
[marketing@detex.com](mailto:marketing@detex.com)  
International Sales:  
[export@detex.com](mailto:export@detex.com)

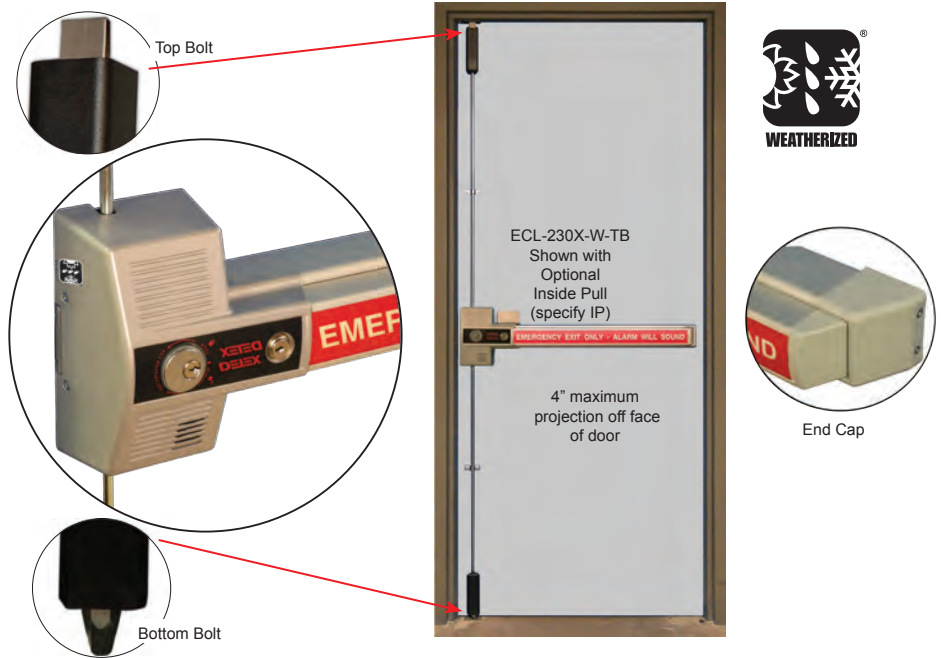
# EXIT CONTROL LOCKS

## ECL-230X-W-TB (Weatherized Top and Bottom Bolt)

### Exit Control Hardware (Double Door Application)

The ECL-230X-W-TB is a **code compliant, battery alarmed, rugged 2-point dead bolt**, panic device with **photo-luminescent sign** providing maximum security and a **100 decibel alarm** for **secondary exits**.

This device conforms to UL1034-34 Temperature Section 34, UL1034-54 Dust Section 54, MIL-STD 810F, Method 506.4 (driving rain test); MIL-STD 810F and Method 509.4 (salt fog test).



#### Benefits

- Attack resistant design for maximum holding force
- Weather resistant design for use in outdoor or wet environments
- Proven durability and reliability at a reasonable price
- Easy to install
- Reduces employee and customer theft
- Time tested construction resists attack from the inside
- One size fits 36"-48" doors for code compliant acceptance
- For additional security with 5 locking points, specify ECL-230X-W-TB-DX3
- Easy to see if the lights go out
- Straightforward operation that everyone understands

#### Features

- 2-point, 3/4" throw top and bottom locks with just over 5/8" engagement with the strike
- Saw resistant dead bolts
- Corrosion resistant alloy lock body
- 100 decibel alarm, powered by 9-volt battery (included)
- Surface/flush reversible strike
- Accepts 5-pin through 7-pin standard and interchangeable core rim cylinders without using cylinder collar
- Durable photo-luminescent sign absorbs light to then "glow in the dark" when lights are dimmed
- Locking and unlocking (dead bolt) always arms and disarms the alarm
- Non-handed
- Low profile meets International Building Code requirement allowing for 4" maximum projection off face of door
- Resetting the alarm can only be accomplished with a control key
- For 9VDC hardwiring add BE-961-1 or BE-961-2

#### Mechanical Options

- Gray Finish (Std.)  
Note: Contact factory for additional finishes
- 84" - Fits 6'8" to 7' door
- 96" - Fits 7' to 8' door
- 120" - Fits 8' to 10' door
- 30 - Fits 30" wide door
- DX1 - Add hinge side protection with one hinge bolt for 3 locking points (3/4" frame engagement)
- DX2 - Add hinge side protection with two hinge side bolts for 4 locking points (3/4" frame engagement)
- DX3 - For maximum hinge side protection add three hinge side bolts for 5 locking points (3/4" frame engagement)
- English Push Plate Sign (Std.)
- RWS - Spanish Sign
- Other Languages available (call factory for details)



## Mechanical Options Continued

- 03T - Trim Plate
- 03PP - Pull Plate

Rim cylinder required for 03 Trims (sold separately)

- 01T - Trim Plate
- 01PP - Pull Plate
- IC7R - Interchangeable core housing installed in Lock & or Trim
- IK7R - InstaKey Cylinder installed in Lock & or Trim

- RC65 - Rim Cylinder, Schlage "C" Keyway with 2 keys installed in Lock & or Trim
- IP - Inside Pull
- 96B - Dust Proof Strike
- DDSK - Double Door Strike Kit
- 96B-DDS - Dust Proof Strike & Double Door Strike
- SN1 - Sex Nut Kit
- CL - Cover Lock (Standard on TB configuration)

- SS - Security Screws
- CL-SS - Cover Lock & Security Screws
- RK - ECL-230D RetroFit Kit (End-cap plate & lock-body plate)
- RC - Rod Covers
- BG - Bottom Bolt Guard
- RC-BG - Rod Covers & Bottom Bolt Guard
- BE-961 - Hardwired Conversion Kit, eliminates battery (Sold Separately)  
NOTE: BE-961 is not weatherized, protect with NEMA enclosure.

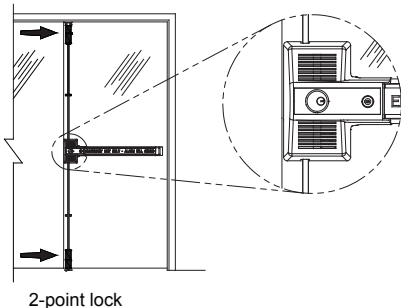
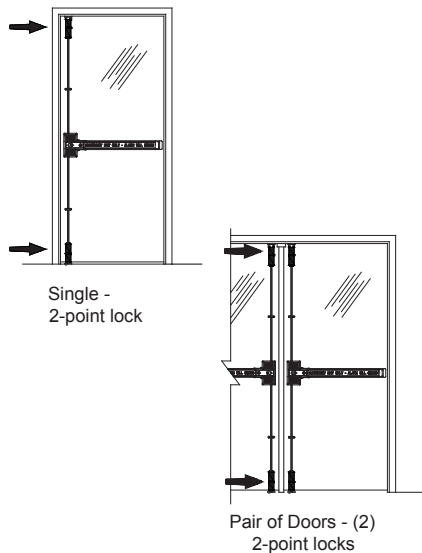
## Technical Information

- Door Types - Wood, Hollow Metal
- Door Thickness - Fits standard 1-3/4" - 2-1/4"
- Standard Device fits 36"-48" door
- Optional Device fits 30"-36" door

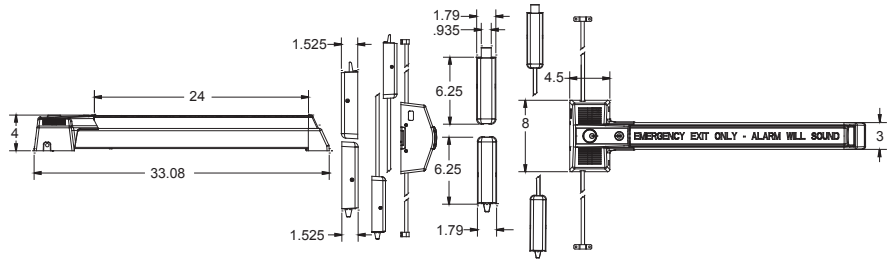
- Double Door requirements:  
(1) ECL-230X-W-TB  
(1) RC65  
(1) DDSK  
(1) DDH-2250  
or  
(2) ECL-230X-W-TB  
(2) RC65  
(1) 90KR

- Machine and Sheet Metal Screws (Std.)
- Optional Sex Nuts or Security Torx Screws Available

## Riser Diagram



## Dimensions



## Listings and Approvals



UL Listed  
Panic Hardware  
988N-Grade 2

UL1034-34 Temperature Section 34  
[Temperature Range -31° F (-35° C) to 150° F (+66° C)]

UL 1034-54 Dust Section 54



Meets ADA requirements



Meets NFPA 101  
for Life Safety,  
CA Title 19



ANSI/BHMA  
requirements for all  
Building Codes



California State Fire Marshall -  
4140-0127:102

Meets International Building Code

## Detex Limited Warranty

10 Year Limited Manufacturers  
Warranty

Where Trust is Built™  
**DETEX**®  
Life Safety and Security Door Hardware

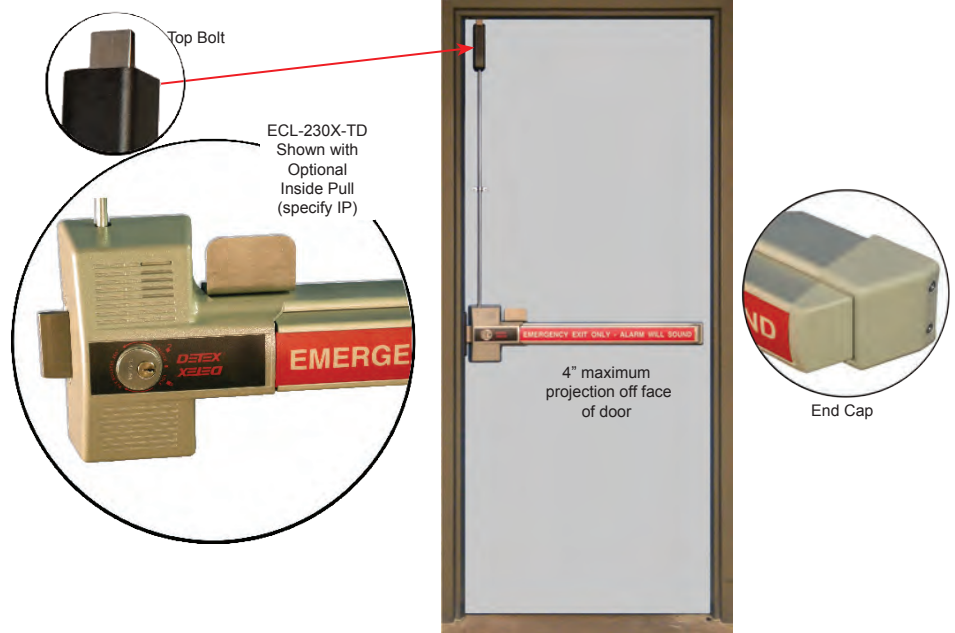
Detex Corporation  
302 Detex Drive  
New Braunfels, Texas 78130-3045 USA  
PH. (830) 629-2900  
(800) 729-3839  
FAX (830) 620-6711  
(800) 653-3839  
<http://www.detex.com>  
USA Sales:  
[marketing@detex.com](mailto:marketing@detex.com)  
International Sales:  
[export@detex.com](mailto:export@detex.com)

# EXIT CONTROL LOCKS

## ECL-230X-TD (Top and Dead Bolt)

### Exit Control Hardware

The ECL-230X-TD is a **code compliant, battery alarmed, rugged 2-point dead bolt**, panic device with **photo-luminescent sign** providing maximum security and a **100 decibel alarm** for **secondary exits**.



### Benefits

- Attack resistant design for maximum holding force
- Proven durability and reliability at a reasonable price
- Easy to install
- Reduces employee and customer theft
- Time tested construction resists attack from the inside
- One size fits 36"-48" doors for code compliant acceptance
- For additional security with 5 locking points, specify ECL-230X-TD-DX3
- Easy to see if the lights go out
- Straightforward operation that everyone understands

### Features

- 2-point, 1" throw dead bolt lock with just over 3/4" engagement with the frame and a 3/4" throw top lock with just over 5/8" engagement with the strike
- Saw resistant dead bolts
- Corrosion resistant alloy lock body
- 100 decibel alarm, powered by 9-volt battery (included)
- Surface/flush reversible strike
- Accepts 5-pin through 7-pin standard and interchangeable core rim cylinders without using cylinder collar
- Durable photo-luminescent sign absorbs light to then "glow in the dark" when lights are dimmed
- Locking and unlocking (dead bolt) always arms and disarms the alarm
- Non-handed
- Low profile meets International Building Code requirement allowing for 4" maximum projection off face of door
- Resetting the alarm can only be accomplished with a control key
- For 9VDC hardwiring add BE-961-1 or BE-961-2

### Mechanical Options

- Gray Finish (Std.)  
Note: Contact factory for additional finishes
- 84" - Fits 6'8" to 7' door
- 96" - Fits 7' to 8' door
- 120" - Fits 8' to 10' door
- 30 - Fits 30" wide door
- DX1 - Add hinge side protection with one hinge bolt for 3 locking points (3/4" frame engagement)
- DX2 - Add hinge side protection with two hinge side bolts for 4 locking points (3/4" frame engagement)
- DX3 - For maximum hinge side protection add three hinge side bolts for 5 locking points (3/4" frame engagement)
- English Push Plate Sign (Std.)
- RWS - Spanish Sign
- Other Languages available (call factory for details)

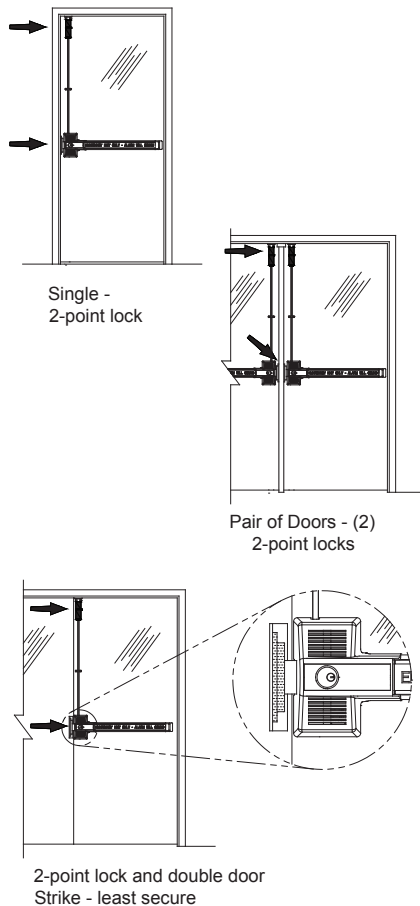
## Mechanical Options Continued

- 03T - Trim Plate
- 03PP - Pull Plate
- Rim cylinder required for 03 Trims (sold separately)
- 01T - Trim Plate
- 01PP - Pull Plate
- IC7R - Interchangeable core housing installed in Lock & or Trim
- IK7R - InstaKey Cylinder installed in Lock & or Trim
- RC65 - Rim Cylinder, Schlage "C" Keyway with 2 keys installed in Lock & or Trim
- IP - Inside Pull
- 96B - Dust Proof Strike
- DDSK - Double Door Strike Kit
- 96B-DDS - Dust Proof Strike & Double Door Strike
- SN1 - Sex Nut Kit
- CL - Cover Lock (Standard on TB configuration)
- SS - Security Screws
- CL-SS - Cover Lock & Security Screws
- RK - ECL-230D RetroFit Kit (End-cap plate & lock-body plate)
- RC - Rod Covers
- BG - Bottom Bolt Guard
- RC-BG - Rod Covers & Bottom Bolt Guard
- BE-961 - Hardwired Conversion Kit, eliminates battery (Sold Separately)

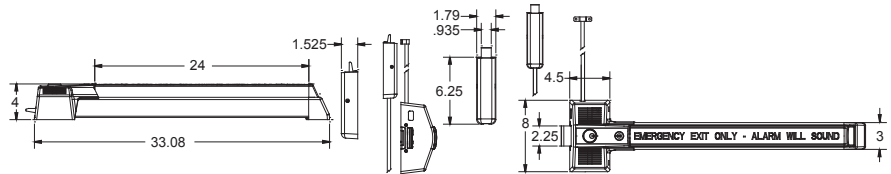
## Technical Information

- Door Types - Wood, Hollow Metal
- Door Thickness - Fits standard 1-3/4" - 2-1/4"
- Standard Device fits 36"-48" door
- Optional Device fits 30"-36" door
- Double Door requirements:
  - (1) ECL-230X-TD
  - (1) RC65
  - (1) DDSK
  - (1) DDH-2250
  - or
  - (2) ECL-230X-TD
  - (2) RC65
  - (1) 90KR
- Machine and Sheet Metal Screws (Std.)
- Optional Sex Nuts or Security Torx Screws Available

## Riser Diagram



## Dimensions



## Listings and Approvals



UL Listed  
Panic Hardware  
988N-Grade 2



Meets ADA requirements



Meets NFPA 101  
for Life Safety,  
CA Title 19



ANSI/BHMA  
requirements for all  
Building Codes



California State Fire Marshal -  
4140-0127:102

Meets International Building Code

## Detex Limited Warranty

10 Year Limited Manufacturers  
Warranty

*Where Trust is Built™*  
**DETEX®**  
*Life Safety and Security Door Hardware*

Detex Corporation  
302 Detex Drive  
New Braunfels, Texas 78130-3045 USA  
PH. (830) 629-2900  
(800) 729-3839  
FAX (830) 620-6711  
(800) 653-3839  
<http://www.detex.com>  
USA Sales:  
[marketing@detex.com](mailto:marketing@detex.com)  
International Sales:  
[export@detex.com](mailto:export@detex.com)

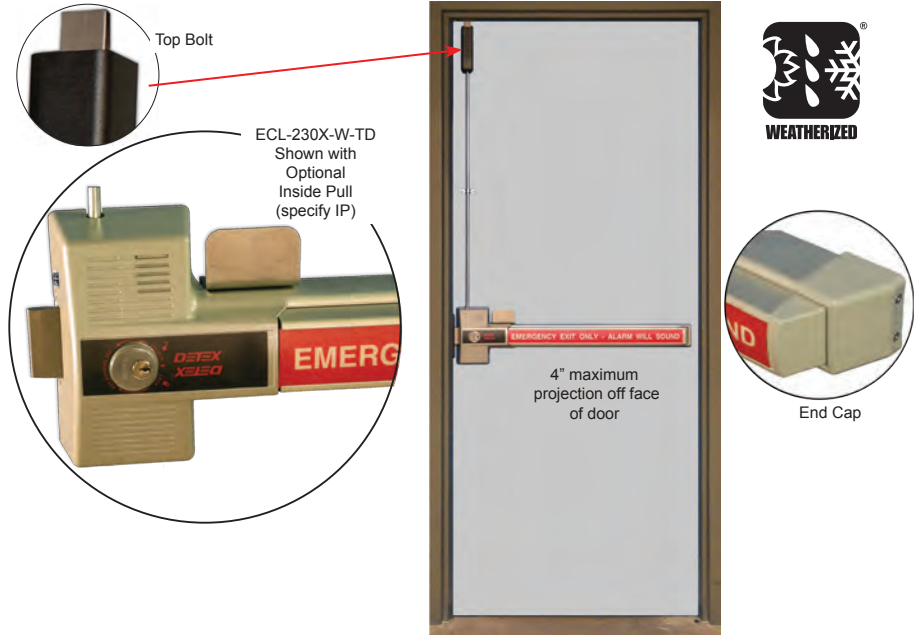
# EXIT CONTROL LOCKS

## ECL-230X-W-TD (Weatherized Top and Dead Bolt)

### Exit Control Hardware

The ECL-230X-W-TD is a **code compliant, battery alarmed, rugged 2-point dead bolt**, panic device with **photo-luminescent sign** providing maximum security and a **100 decibel alarm for secondary exits**.

This device conforms to UL1034-34 Temperature Section 34, UL1034-54 Dust Section 54, MIL-STD 810F, Method 506.4 (driving rain test); MIL-STD 810F and Method 509.4 (salt fog test).



### Benefits

- Attack resistant design for maximum holding force
- Weather resistant design for use in outdoor or wet environments
- Proven durability and reliability at a reasonable price
- Easy to install
- Reduces employee and customer theft
- Time tested construction resists attack from the inside
- One size fits 36"-48" doors for code compliant acceptance
- For additional security with 5 locking points, specify ECL-230X-W-TD-DX3
- Easy to see if the lights go out
- Straightforward operation that everyone understands

### Features

- 2-point, 1" throw dead bolt lock with just over 3/4" engagement with the frame and a 3/4" throw top lock with just over 5/8" engagement with the strike
- Saw resistant dead bolts
- Corrosion resistant alloy lock body
- 100 decibel alarm, powered by 9-volt battery (included)
- Surface/flush reversible strike
- Accepts 5-pin through 7-pin standard and interchangeable core rim cylinders without using cylinder collar
- Durable photo-luminescent sign absorbs light to then "glow in the dark" when lights are dimmed
- Locking and unlocking (dead bolt) always arms and disarms the alarm
- Non-handed
- Low profile meets International Building Code requirement allowing for 4" maximum projection off face of door
- Resetting the alarm can only be accomplished with a control key
- For 9VDC hardwiring add BE-961-1 or BE-961-2

### Mechanical Options

- Gray Finish (Std.)  
Note: Contact factory for additional finishes
- 84" - Fits 6'8" to 7' door
- 96" - Fits 7' to 8' door
- 120" - Fits 8' to 10' door
- 30 - Fits 30" wide door
- DX1 - Add hinge side protection with one hinge bolt for 3 locking points (3/4" frame engagement)
- DX2 - Add hinge side protection with two hinge side bolts for 4 locking points (3/4" frame engagement)
- DX3 - For maximum hinge side protection add three hinge side bolts for 5 locking points (3/4" frame engagement)
- English Push Plate Sign (Std.)
- RWS - Spanish Sign
- Other Languages available (call factory for details)

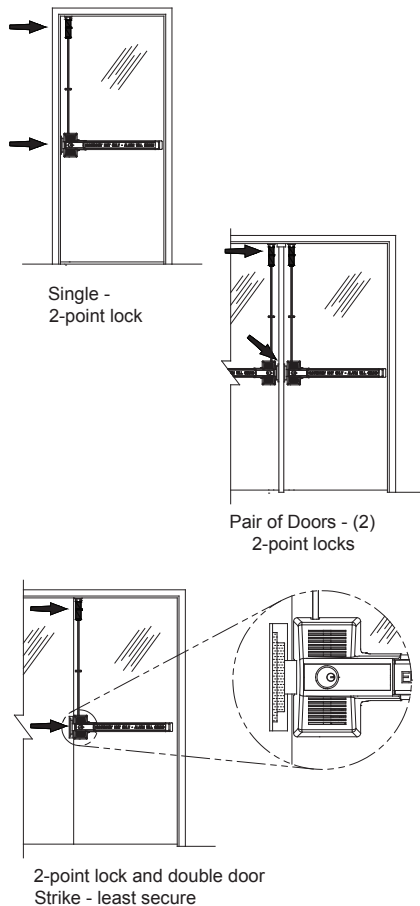
## Mechanical Options Continued

- 03T - Trim Plate
- 03PP - Pull Plate
- Rim cylinder required for 03 Trims (sold separately)
- 01T - Trim Plate
- 01PP - Pull Plate
- IC7R - Interchangeable core housing installed in Lock & or Trim
- IK7R - InstaKey Cylinder installed in Lock & or Trim
- RC65 - Rim Cylinder, Schlage "C" Keyway with 2 keys installed in Lock & or Trim
- IP - Inside Pull
- 96B - Dust Proof Strike
- DDSK - Double Door Strike Kit
- 96B-DDS - Dust Proof Strike & Double Door Strike
- SN1 - Sex Nut Kit
- CL - Cover Lock (Standard on TB configuration)
- SS - Security Screws
- CL-SS - Cover Lock & Security Screws
- RK - ECL-230D RetroFit Kit (End-cap plate & lock-body plate)
- RC - Rod Covers
- BG - Bottom Bolt Guard
- RC-BG - Rod Covers & Bottom Bolt Guard
- BE-961 - Hardwired Conversion Kit, eliminates battery (Sold Separately)  
NOTE: BE-961 is not weatherized, protect with NEMA enclosure.

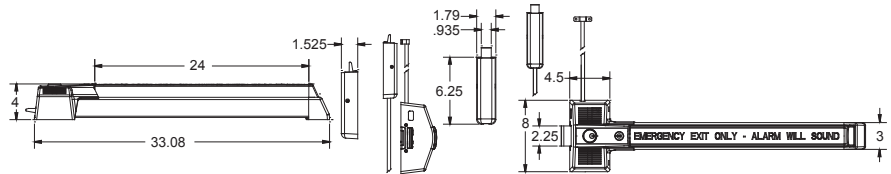
## Technical Information

- Door Types - Wood, Hollow Metal
- Door Thickness - Fits standard 1-3/4" - 2-1/4"
- Standard Device fits 36"-48" door
- Optional Device fits 30"-36" door
- Double Door requirements:  
(1) ECL-230X-W-TD  
(1) RC65  
(1) DDSK  
(1) DDH-2250  
or  
(2) ECL-230X-W-TD  
(2) RC65  
(1) 90KR
- Machine and Sheet Metal Screws (Std.)
- Optional Sex Nuts or Security Torx Screws Available

## Riser Diagram



## Dimensions



## Listings and Approvals



UL Listed  
Panic Hardware  
988N-Grade 2

UL1034-34 Temperature Section 34  
[Temperature Range -31° F (-35° C) to  
150° F (+66° C)]

UL 1034-54 Dust Section 54



Meets ADA requirements



Meets NFPA 101  
for Life Safety,  
CA Title 19



ANSI/BHMA  
requirements for all  
Building Codes



California State Fire Marshal -  
4140-0127:102

Meets International Building Code

## Detex Limited Warranty

10 Year Limited Manufacturers  
Warranty

*Where Trust is Built™*  
**DETEX®**  
*Life Safety and Security Door Hardware*

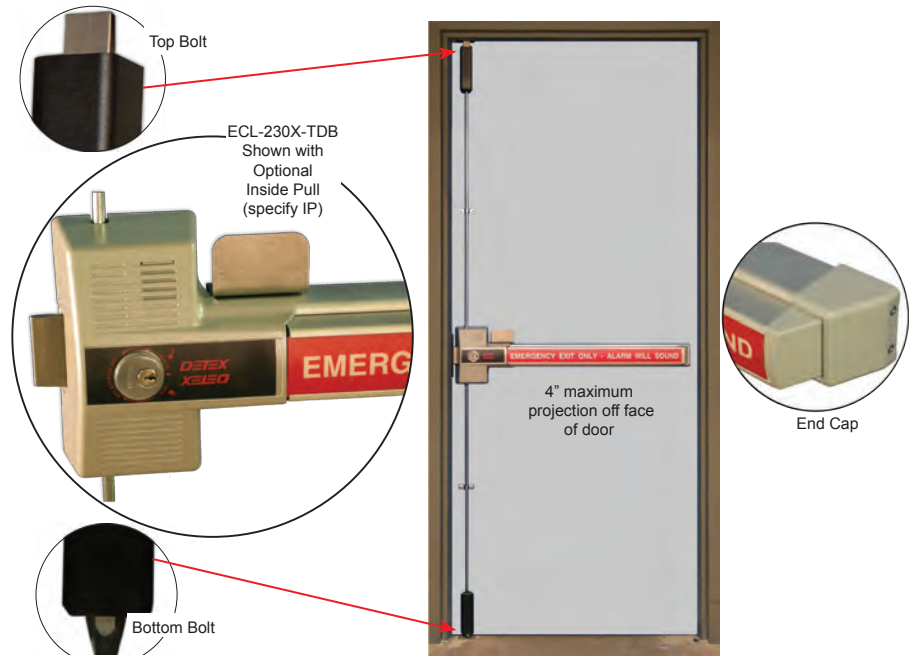
Detex Corporation  
302 Detex Drive  
New Braunfels, Texas 78130-3045 USA  
PH. (830) 629-2900  
(800) 729-3839  
FAX (830) 620-6711  
(800) 653-3839  
<http://www.detex.com>  
USA Sales:  
[marketing@detex.com](mailto:marketing@detex.com)  
International Sales:  
[export@detex.com](mailto:export@detex.com)

# EXIT CONTROL LOCKS

## ECL-230X-TDB (Top Bolt, Dead Bolt and Bottom Bolt)

### Exit Control Hardware

The ECL-230X-TDB is a **code compliant, battery alarmed, rugged 3-point dead bolt**, panic device with **photo-luminescent sign** providing maximum security and a **100 decibel alarm** for **secondary exits**.



### Benefits

- Attack resistant design for maximum holding force
- Proven durability and reliability at a reasonable price
- Easy to install
- Reduces employee and customer theft
- Time tested construction resists attack from the inside
- One size fits 36"-48" doors for code compliant acceptance
- For maximum security with 6 locking points, specify ECL-230X-TDB-DX3
- Easy to see if the lights go out
- Straightforward operation that everyone understands

### Features

- 3-point, 1" throw dead bolt lock with just over 3/4" engagement with the frame, and 3/4" throw top and bottom locks with 5/8" engagement with the strike
- Saw resistant dead bolts
- Corrosion resistant alloy lock body
- 100 decibel alarm, powered by 9-volt battery (included)
- Surface/flush reversible strike
- Accepts 5-pin through 7-pin standard and interchangeable core rim cylinders without using cylinder collar
- Durable photo-luminescent sign absorbs light to then "glow in the dark" when lights are dimmed
- Locking and unlocking the dead bolt always arms and disarms the alarm
- Non-handed
- Low profile meets International Building Code requirement allowing for 4" maximum projection off face of door
- Resetting the alarm can only be accomplished with a control key
- For 9VDC hardwiring add BE-961-1 or BE-961-2

### Mechanical Options

- Gray Finish (Std.)  
Note: Contact factory for additional finishes
- H - Hurricane Rated
- 84" - Fits 6'8" to 7' door
- 96" - Fits 7' to 8' door
- 120" - Fits 8' to 10' door
- 30 - Fits 30" wide door
- DX1 - Add hinge side protection with one hinge bolt for 4 locking points (3/4" frame engagement)
- DX2 - Add hinge side protection with two hinge side bolts for 5 locking points (3/4" frame engagement)
- DX3 - For maximum hinge side protection add three hinge side bolts for 6 locking points (3/4" frame engagement)
- English Push Plate Sign (Std.)
- RWS - Spanish Sign
- Other Languages available (call factory for details)

## Mechanical Options Continued

- 03T - Trim Plate
- 03PP - Pull Plate

Rim cylinder required for 03 Trims (sold separately)

- 01T - Trim Plate
- 01PP - Pull Plate
- IC7R - Interchangeable core housing installed in Lock & or Trim
- IK7R - InstaKey Cylinder installed in Lock & or Trim

- RC65 - Rim Cylinder, Schlage "C" Keyway with 2 keys installed in Lock & or Trim
- IP - Inside Pull
- 96B - Dust Proof Strike
- DDSK - Double Door Strike Kit
- 96B-DDS - Dust Proof Strike & Double Door Strike
- SN1 - Sex Nut Kit
- CL - Cover Lock (Standard on TB configuration)

- SS - Security Screws
- CL-SS - Cover Lock & Security Screws
- RK - ECL-230D RetroFit Kit (End-cap plate & lock-body plate)
- RC - Rod Covers
- BG - Bottom Bolt Guard
- RC-BG - Rod Covers & Bottom Bolt Guard
- BE-961 - Hardwired Conversion Kit, eliminates battery (Sold Separately)

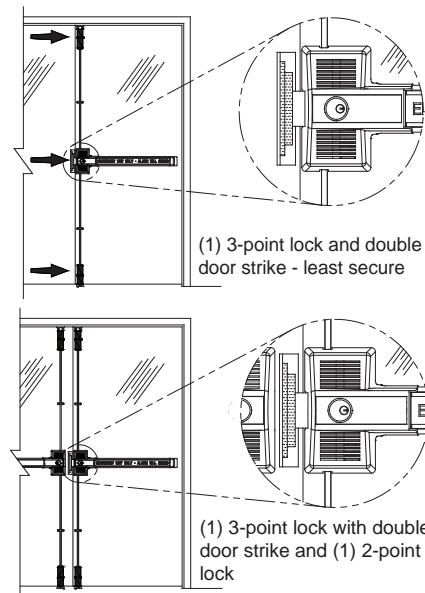
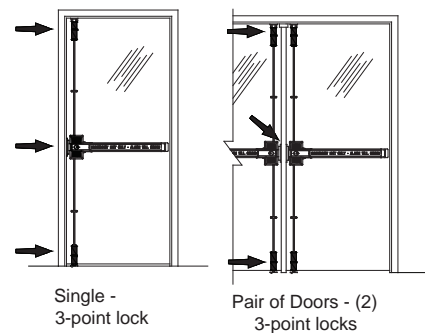
## Technical Information

- Door Types - Wood, Hollow Metal
- Door Thickness - Fits standard 1-3/4" - 2-1/4"
- Standard Device fits 36"-48" door
- Optional Device fits 30"-36" door

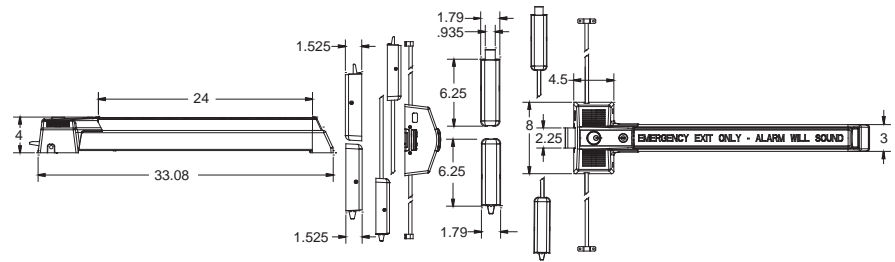
- Double Door requirements:
  - (1) ECL-230X-TDB
  - (1) RC65
  - (1) DDSK
  - (1) DDH-2250 or
  - (2) ECL-230X-TDB
  - (2) RC65
  - (1) 90KR

- Machine and Sheet Metal Screws (Std.)
- Optional Sex Nuts or Security Torx Screws Available

## Riser Diagram



## Dimensions



## Listings and Approvals



UL Listed  
Panic Hardware  
988N-Grade 2



Meets ADA requirements



Meets NFPA 101  
for Life Safety,  
CA Title 19



ANSI/BHMA  
requirements for all  
Building Codes



California State Fire Marshal -  
4140-0127:102

Meets International Building Code

## Detex Limited Warranty

10 Year Limited Manufacturers  
Warranty

*Where Trust is Built™*  
**DETEX®**  
*Life Safety and Security Door Hardware*

Detex Corporation  
302 Detex Drive  
New Braunfels, Texas 78130-3045 USA  
PH. (830) 629-2900  
(800) 729-3839  
FAX (830) 620-6711  
(800) 653-3839  
<http://www.detex.com>  
USA Sales:  
[marketing@detex.com](mailto:marketing@detex.com)  
International Sales:  
[export@detex.com](mailto:export@detex.com)

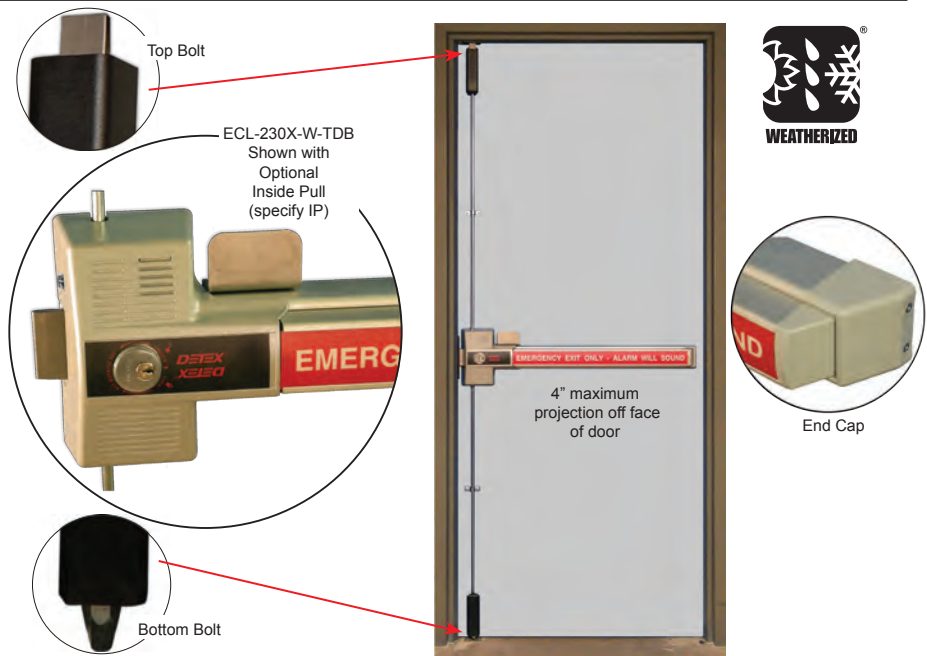
# EXIT CONTROL LOCKS

## ECL-230X-W-TDB (Weatherized Top Bolt, Dead Bolt and Bottom Bolt)

### Exit Control Hardware

The ECL-230X-W-TDB is a **code compliant**, **battery alarmed**, rugged 3-point **dead bolt**, panic device with **photo-luminescent sign** providing maximum security and a **100 decibel alarm** for **secondary exits**.

This device conforms to UL1034-34 Temperature Section 34, UL1034-54 Dust Section 54, MIL-STD 810F, Method 506.4 (driving rain test); MIL-STD 810F and Method 509.4 (salt fog test).



### Benefits

- Attack resistant design for maximum holding force
- Weather resistant design for use in outdoor or wet environments
- Proven durability and reliability at a reasonable price
- Easy to install
- Reduces employee and customer theft
- Time tested construction resists attack from the inside
- One size fits 36"-48" doors for code compliant acceptance
- For maximum security with 6 locking points, specify ECL-230X-W-TDB-DX3
- Easy to see if the lights go out
- Straightforward operation that everyone understands

### Features

- 3-point, 1" throw dead bolt lock with just over 3/4" engagement with the frame, and 3/4" throw top and bottom locks with 5/8" engagement with the strike
- Saw resistant dead bolts
- Corrosion resistant alloy lock body
- 100 decibel alarm, powered by 9-volt battery (included)
- Surface/flush reversible strike
- Accepts 5-pin through 7-pin standard and interchangeable core rim cylinders without using cylinder collar
- Durable photo-luminescent sign absorbs light to then "glow in the dark" when lights are dimmed
- Locking and unlocking the dead bolt always arms and disarms the alarm
- Non-handed
- Low profile meets International Building Code requirement allowing for 4" maximum projection off face of door
- Resetting the alarm can only be accomplished with a control key
- For 9VDC hardwiring add BE-961-1 or BE-961-2

### Mechanical Options

- Gray Finish (Std.)  
Note: Contact factory for additional finishes
- H - Hurricane Rated
- 84" - Fits 6'8" to 7' door
- 96" - Fits 7' to 8' door
- 120" - Fits 8' to 10' door
- 30 - Fits 30" wide door
- DX1 - Add hinge side protection with one hinge bolt for 4 locking points (3/4" frame engagement)
- DX2 - Add hinge side protection with two hinge side bolts for 5 locking points (3/4" frame engagement)
- DX3 - For maximum hinge side protection add three hinge side bolts for 6 locking points (3/4" frame engagement)
- English Push Plate Sign (Std.)
- RWS - Spanish Sign
- Other Languages available (call factory for details)



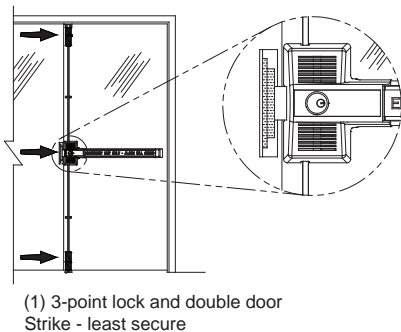
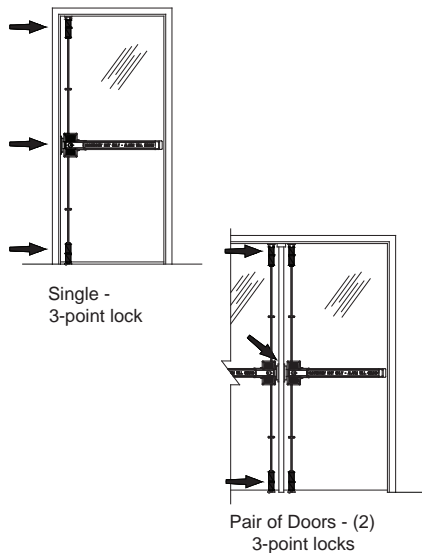
## Mechanical Options Continued

- 03T - Trim Plate
- 03PP - Pull Plate
- Rim cylinder required for 03 Trims (sold separately)
- 01T - Trim Plate
- 01PP - Pull Plate
- IC7R - Interchangeable core housing installed in Lock & or Trim
- IK7R - InstaKey Cylinder installed in Lock & or Trim
- RC65 - Rim Cylinder, Schlage "C" Keyway with 2 keys installed in Lock & or Trim
- IP - Inside Pull
- 96B - Dust Proof Strike
- DDSK - Double Door Strike Kit
- 96B-DDS - Dust Proof Strike & Double Door Strike
- SN1 - Sex Nut Kit
- CL - Cover Lock (Standard on TB configuration)
- SS - Security Screws
- CL-SS - Cover Lock & Security Screws
- RK - ECL-230D RetroFit Kit (End-cap plate & lock-body plate)
- RC - Rod Covers
- BG - Bottom Bolt Guard
- RC-BG - Rod Covers & Bottom Bolt Guard
- BE-961 - Hardwired Conversion Kit, eliminates battery (Sold Separately)  
NOTE: BE-961 is not weatherized, protect with NEMA enclosure.

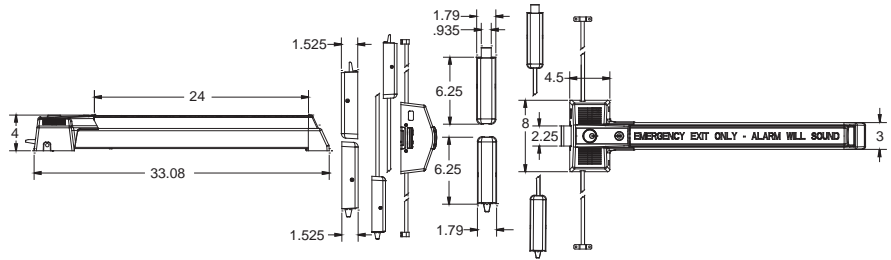
## Technical Information

- Door Types - Wood, Hollow Metal
- Door Thickness - Fits standard 1-3/4" - 2-1/4"
- Standard Device fits 36"-48" door
- Optional Device fits 30"-36" door
- Double Door requirements:  
(1) ECL-230X-W-TDB  
(1) RC65  
(1) DDSK  
(1) DDH-2250  
or  
(2) ECL-230X-W-TDB  
(2) RC65  
(1) 90KR
- Machine and Sheet Metal Screws (Std.)
- Optional Sex Nuts or Security Torx Screws Available

## Riser Diagram



## Dimensions



## Listings and Approvals



UL Listed  
Panic Hardware  
988N-Grade 2

UL1034-34 Temperature Section 34  
[Temperature Range -31° F (-35° C) to 150° F (+66° C)]

UL 1034-54 Dust Section 54



Meets ADA requirements



Meets NFPA 101  
for Life Safety,  
CA Title 19



ANSI/BHMA  
requirements for all  
Building Codes



California State Fire Marshall -  
4140-0127:102

Meets International Building Code

## Detex Limited Warranty

10 Year Limited Manufacturers  
Warranty

*Where Trust is Built™*  
**DETEX®**  
*Life Safety and Security Door Hardware*

Detex Corporation  
302 Detex Drive  
New Braunfels, Texas 78130-3045 USA  
PH. (830) 629-2900  
(800) 729-3839  
FAX (830) 620-6711  
(800) 653-3839  
<http://www.detex.com>  
USA Sales:  
[marketing@detex.com](mailto:marketing@detex.com)  
International Sales:  
[export@detex.com](mailto:export@detex.com)

# EXIT CONTROL LOCKS

## ECL-600

### Fire-Rated Exit Control Hardware

The ECL-600 is a **fire rated, code-compliant**, rugged, dependable **relatching** exit device with a **steel plate and photo-luminescent sign** providing managed security and a 100 decibel alarm for secondary fire exits.



### Benefits

- Attack resistant design withstands over 2200 lbs. of outside pull force
- Proven durability, reliability and long service life at a reasonable price
- Reduces employee and customer theft
- Easy to Install
- Time tested construction resists attack from the inside
- Easy to see if the lights go out
- Straightforward operation that everyone understands

### Features

- 1" throw dead bolt and 3/4" dead locking latch bolt
- Relatching for additional security
- Saw resistant dead bolt
- Corrosion resistant alloy lock-body
- 100 decibel alarm, powered by 9-volt battery (included)
- Accepts 5-pin through 7-pin standard and interchangeable core rim cylinders
- Durable steel plate with photo luminescent sign
- Non-handed
- Locking and unlocking the dead bolt always arms and disarms the alarm
- Resetting the alarm can only be accomplished with a control key

### Mechanical Options

- Gray Finish (Std.)
- Black Finish (BK)
- English Push Plate Sign (Std.)
- Other Languages available (call factory for details)
- For Panic Hardware see ECL-230D or ECL-230D-PH

### Accessories

- ECL-2100K - Bar Guard Kit - to protect end of bar, when required by code
- ECL-445K - Rim Cylinder, 5-pin with two keys
- ECL-1595 - Cylinder Collar required for 6 or 7 pin cylinders
- F90KR - Keyed Removable Mullion for pairs of doors. Each leaf will operate independently.
- BE-961 - Hard wired Conversion Kit, eliminates battery
- ECL-435K Adjustable Surface Keeper Bracket for some double door applications
- ECL-620 - Outside Lever Trim (rim cylinder sold separately)

## ECL-620 Lever Trim

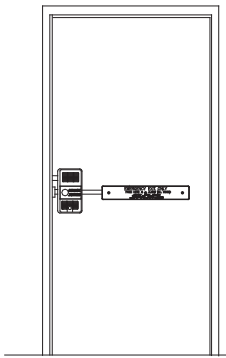
Designed specifically to operate with the ECL-600 Fire-Rated Exit Control Lock, the ECL-620 is a heavy-duty lever trim that allows entry from the outside. The keyed cylinder retracts the dead bolt and the lever operates the latch bolt.

- Modern design lever
- Durable black finish
- Recessed cylinder for vandal resistance
- Key operates dead bolt
- Lever always active, retracting only the latch bolt
- Durable, through-bolted design
- Accepts standard rim cylinder (sold separately)

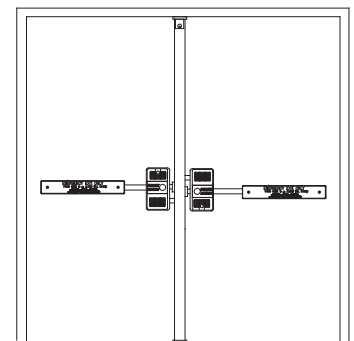
## Technical Information

- Door Types - Wood, Hollow Metal or Aluminum
- Door Thickness - Fits standard 1-3/4" - 2-1/4"
- Minimum standard door width for ECL-600 is 34"
- Double Door requirements: Fire-Rated
  - (2) ECL-600
  - (3) ECL-445K Cylinders
  - (1) F90KR Keyed Removable Mullion (3-hour fire-rated to 8'0" high)
- Door Stile - Fits minimum 5-3/4" with ECL-437K Strike (Std.)
- Door Stile - Fits maximum 1-7/8" with ECL-475 Kit
- Machine and Sheet Metal Screws (Std.)
- Optional Sex Nuts or Security Torx Screws Available

## Riser Diagram

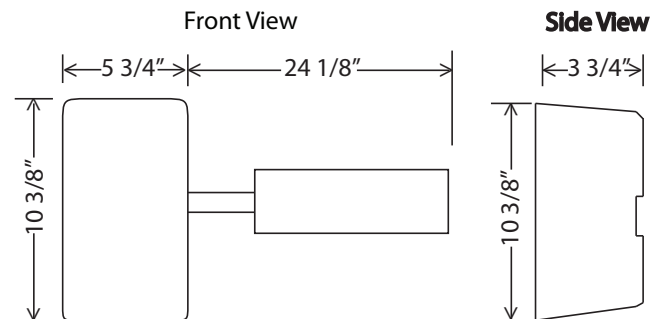


Single Door



Double Doors  
with  
Key Removable  
Mullion

## Dimensions



## Listings and Approvals



Fire Exit Hardware



Meets ADA requirements



Meets NFPA 80 & 101  
for Life Safety,  
CA Title 19



ANSI/BHMA  
requirements for all  
Building Codes



California State Fire Marshall -  
4140-0127:102

## Detex Limited Warranty

10 Year Limited Manufacturer's  
Warranty

*Where Trust is Built™*  
**DETEX®**  
*Life Safety and Security Door Hardware*

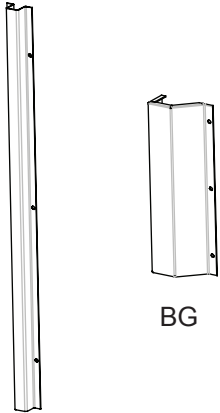
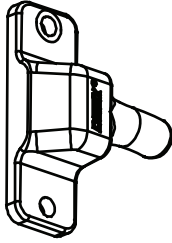
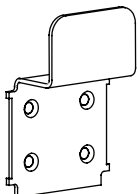
Detex Corporation  
302 Detex Drive  
New Braunfels, Texas 78130-3045 USA  
PH. (830) 629-2900  
(800) 729-3839  
FAX (830) 620-6711  
(800) 653-3839  
<http://www.detex.com>  
USA Sales:  
[marketing@detex.com](mailto:marketing@detex.com)  
International Sales:  
[export@detex.com](mailto:export@detex.com)

# EXIT CONTROL LOCKS

## ACCESSORIES for ECL-230X SERIES

---

Detex makes a number of accessories available that allow the Exit Control Locks to be used in a wide range of applications. Below is a listing and description of these items.

	<u>Item Number</u>	<u>Description and Use</u>
 <p>RC</p> <p>BG</p>	<p><b>RC</b> (105771-X)</p>	<p><b><u>Rod Covers</u></b> Protects rods in high use, high abuse applications. Used with ECL-230X-TB, TD &amp; TDB.</p>
	<p><b>BG</b> (103562)</p>	<p><b><u>Bottom Bolt Guard</u></b> Protects bottom bolt in high use, high abuse applications. Used with ECL-230X-TB &amp; TDB.</p>
	<p><b>RC-BG</b> (105771-X)</p>	<p><b><u>Rod Covers &amp; Bottom Bolt Guard</u></b> Protects rods &amp; bottom bolt in high use, high abuse applications. Used with ECL-230X-TB &amp; TDB.</p>
 <p>DX1 shown</p>	<p><b>DX1</b></p>	<p><b><u>One hinge side lock</u></b> One hinge side locking point, keeps door secure even if hinge knuckles are removed. Used when higher level of security is required.</p>
	<p><b>DX2</b></p>	<p><b><u>Two hinge side locks</u></b> Two hinge side locking points, keeps door secure even if hinge knuckles are removed. Used when higher level of security is required.</p>
	<p><b>DX3</b></p>	<p><b><u>Three single side locks</u></b> Three hinge side locking points, keeps door secure even if hinge knuckles are removed. Used when higher level of security is required.</p>
	<p><b>IP</b></p>	<p><b><u>Inside Pull</u></b> Provides grip handle on inside of door, assists in pulling door closed and locking door</p>

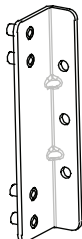
# EXIT CONTROL LOCKS CONT'D

## ACCESSORIES for ECL-230X SERIES

---

### Item Number

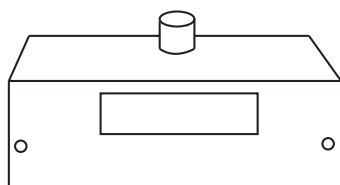
### Description and Use



DDSK

#### Double Door Strike Bracket Kit

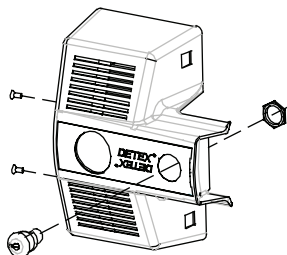
Mounts on inactive leaf. Typically used in conjunction with flush bolts or similar products in double door applications.



DDH-2250

#### Double Door Holder

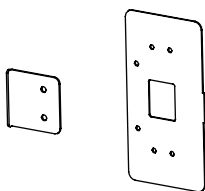
Mounts on inactive leaf. Typically used on pairs of doors. Locks inactive leaf, when active leaf closes, operates similar to automatic flush bolts.



105059-X

#### Cover Lock Kit

Provides additional protection for battery protection. Requires main operational key and cover lock key to perform maintenance, change battery.



RK

#### ECL-230 Retrofit Plate Kit

Useful when removing an ECL-230D and installing an ECL-230X



102638

#### Rim Cylinder Plate

03 function cylinder trim plate used on gates

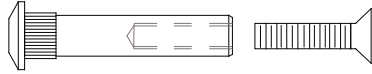
# EXIT CONTROL LOCKS CONT'D

## ACCESSORIES for ECL-230X SERIES

---

**Item Number**

**Description and Use**

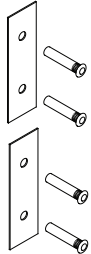


SN1

SN1  
(101616-X)

**Sex Nuts**

Recommended for high use, high abuse applications

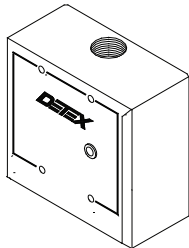


TMP1

TMP1

**Through Bolt Mounting Plate Kit**

Recommended for high use, high abuse applications. Kit is standard with two plates and four 1/4-20 sex bolts.



BE-961-1 shown

BE-961-1

**Battery Eliminator**

120VAC to 9VDC - includes 10' flex conduit (includes 120VAC to 12VAC transformer)

BE-961-2

**Battery Eliminator**

120VAC to 9VDC - includes 10' flex conduit with supervisory loop power, alarm and LED (includes 120VAC to 12VAC transformer)

BE-961-5

**Battery Eliminator**

12VAC to 9VDC - does not include transformer or flex conduit

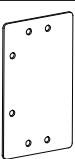
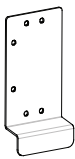
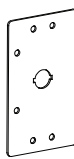
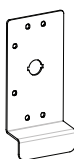
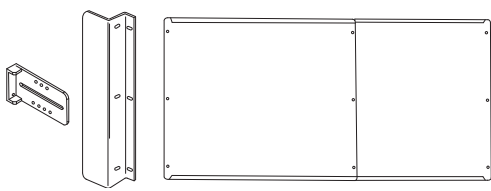
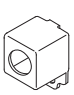
BE-961-6

**Battery Eliminator**

24VAC to 9VDC - does not include transformer or flex conduit

# EXIT CONTROL LOCKS CONT'D

## ACCESSORIES for ECL-230X SERIES

	<u>Item Number</u>	<u>Description and Use</u>
01T	01T	<b><u>Trim Plate</u></b> Does not include outside key control. Typically used to cover exterior holes on pull side of door.
	01PP	<b><u>Trim Pull Plate</u></b> Does not include outside key control. Typically used to pull door open while door is unlocked.
	03T	<b><u>Trim Pull Plate</u></b> Requires rim cylinder, provides outside key control. Pull provided by others, supplied separately.
	03PP	<b><u>Trim Pull Plate</u></b> Requires rim cylinder, provides outside key control. Typically used to pull door open while door is unlocked.
<hr/>		
	GTPL230X	<b><u>Gate Plate</u></b> Adjustable gate plate fits gates 32" - 52" wide. Fits square or round gate frames. Comes with holes for mounting ECL-230X.
	03GS	<b><u>Cylinder Trim</u></b> Optional 03 function cylinder trim used on gates (Rim cylinder sold separate)

*Where Trust is Built™*

**DETEX®**  
*Life Safety and Security Door Hardware*

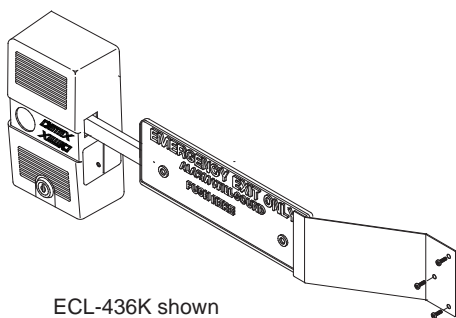
Detex Corporation  
302 Detex Drive  
New Braunfels, Texas 78130-3045 USA  
PH. (830) 629-2900  
(800) 729-3839  
FAX (830) 620-6711  
(800) 653-3839  
<http://www.detex.com>  
USA Sales:  
[marketing@detex.com](mailto:marketing@detex.com)  
International Sales:  
[export@detex.com](mailto:export@detex.com)

# EXIT CONTROL LOCKS

## ACCESSORIES for ECL-230D SERIES and ECL-600

---

Detex makes a number of accessories available that allow the Exit Control Locks to be used in a wide range of applications. Below is a listing and description of these items.



ECL-436K shown

### Item Number

### Description and Use

**ECL-436K**

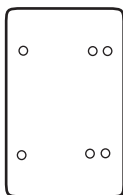
**Panic Bar Plate Guard Kit**

Protects against clothing being caught on exit bar plate. Used with ECL-230D.

**ECL-2100K**

**Panic Bar Plate Guard Kit**

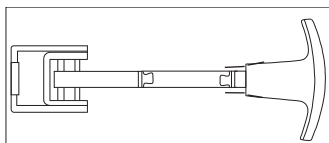
Protects against clothing being caught on exit bar plate. Used with ECL-230D-PH and ECL-600 (Required)



**ECL-475K**

**Decorative Back Plate Kit**

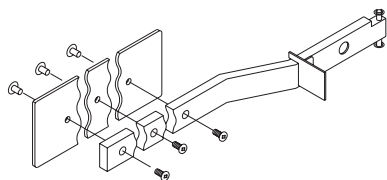
5 19/32" W x 10 3/16" H x .045" thick. To improve the appearance of the back of an Exit Control Lock visible through glass on a narrow stile glass door.



**ECL-498K**

**Outside Pull and Warning Sign**

Mounted on opposite face of door where conditions or regulations require that an emergency exit be openable from both sides. Alarm sounds when door is opened.



**ECL-2105K**

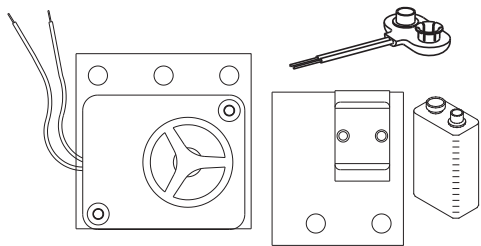
**Paddle Bar Kit (Retrofit)**

Bar extension kit for 3.0' to 4.0' doors



# EXIT CONTROL LOCKS CONT'D

## ACCESSORIES for ECL-230D SERIES and ECL-600



**ECL-2111K**

**Siren/Battery Conversion Kit**

For ECL-230C & D. Converts ECL-230 6 volt lantern battery to 9 volt battery & siren

**Optional Captions for Exit Bar Plates**

Standard exit bar plate includes words "EMERGENCY EXIT ONLY".



**ECL-8220**

**Item Number**

**Description**

**ECL-8220**  
**ECL-8220-1**

English Exit Bar Plate  
Red (Standard)  
Green

**ECL-8225-4**  
**ECL-8225-8**

Spanish Exit Bar Plate  
Green  
Red

**ECL-8225-6**

Chinese/English Exit Bar Plate  
(Red)

**ECL-8225-7**

French Canadian Exit Bar Plate  
(Red)

**ECL-8225-2**

French Exit Bar Plate (Green)

**ECL-8225-3**

German Exit Bar Plate (Green)

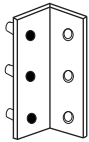
**ECL-2109**

English Exit Bar Plate for Long Bar -  
ECL-230D-PH (Red)

# EXIT CONTROL LOCKS CONT'D

## ACCESSORIES for ECL-230D SERIES and ECL-600

Single Door Mechanical Strikes for Inswinging and Outswinging Installations

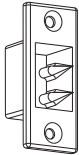


**Item Number**

**ECL-435K**

**Description and Use**

**Adjustable strike bracket, surface**  
 For use on left hand, right hand inswinging doors or double doors with one door stationary using flush bolts or DDH-2250



**ECL-439K**

**Mortise strike**  
 For use on outswinging doors



**ECL-437K**

**Adjustable strike, surface**  
 For use on outswinging doors

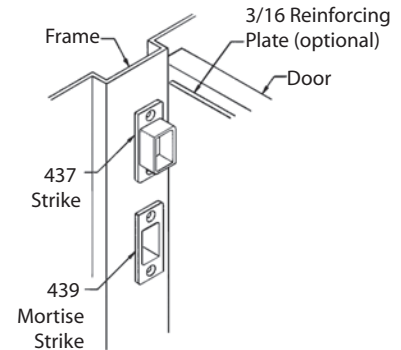
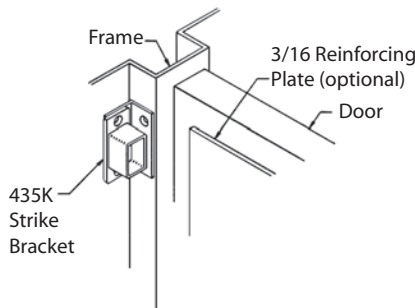
INSWINGING DOORS - LH, RH  
 ECL-435K adjustable strike bracket, surface

FOR INSWINGING INSTALLATIONS  
 and  
 DOUBLE DOOR APPLICATIONS  
 without a MULLION

FOR OUTSWINGING  
 INSTALLATIONS

OUTSWINGING DOORS  
 ECL-439K mortise strike  
 ECL-437K adjustable strike, surface

\* Price of lock includes a kit containing 439 and 437 strikes with required mounting screws. All other strikes must be ordered separately by number. There is an extra charge for strikes that are not included as part of the lock.



All bracket-mounted strikes include unique adjustable feature for proper installation alignment. All strikes supplied with wood and sheet metal mounting screws.



Detex Corporation  
 302 Detex Drive  
 New Braunfels, Texas 78130-3045 USA  
 PH. (830) 629-2900  
 (800) 729-3839  
 FAX (830) 620-6711  
 (800) 653-3839  
<http://www.detex.com>  
 USA Sales:  
[marketing@detex.com](mailto:marketing@detex.com)  
 International Sales:  
[export@detex.com](mailto:export@detex.com)

# EXIT CONTROL LOCKS ACCESSORY

## BE-961

### Battery Eliminator

---

The BE-961 Battery Eliminator is designed to power security devices such as the Detex ECL-230D, ECL-230X Series, ECL-600 battery powered series exit control locks and V40 alarmed rim exit device without reliance on batteries. Converts AC power to DC for supplying battery-operated devices.



**BE-961-1**

**BE-961-2**

(For use with ECL products only)

### Benefits

---

- Powers security devices without reliance on batteries
- Eliminating the need to annually change 9 volt batteries, saves money, prevents unnecessary battery disposal and creates a greener process
- May be installed on the wall adjacent to the protected door quickly and easily
- 10' Flexible armored cable connects the battery eliminator to the security device without interfering with door use
- LED provides visual status of power
- For extra security, the connecting cable may be concealed in the door using a continuous electric hinge

### Features

---

- Available Battery Eliminator Power Supplies:
  - BE-961-1** = Converts 120VAC to 9VDC  
Note: Powers up to three 9V battery devices)
  - BE-961-2** = Converts 120VAC to 9VDC includes secure power / supervisory loop (cutting 9V power will sound alarm)  
Note: For use with ECL products only.
  - BE-961-5** = Converts 12VAC to 9VDC  
Note: Conduit and transformer sold separately
  - BE-961-6** = Converts 24VAC to 9VDC  
Note: Conduit and transformer sold separately
- The BE-961-2 includes an internal alarm which sounds at 95dB if the secure power feed wires are cut or when the ECL unit sounds (for use with ECL products only)

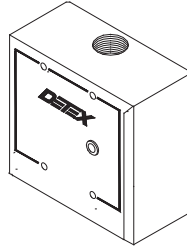
### Technical Information

---

- 9VDC outputs, jumper selectable to the security device
- 12 VAC 25 VA transformer included - requires 120 VAC
- Line input transient suppression is a standard feature

## Dimensions

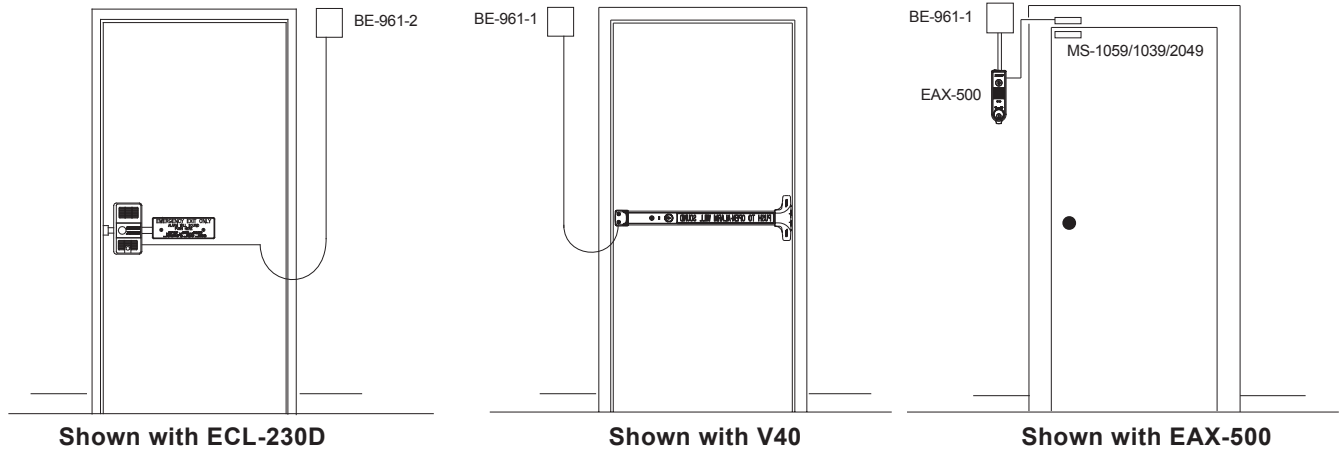
- 4-5/8" wide x 4-5/8" long x 2" deep
- Standard cast aluminum case



## Detex Limited Warranty

3 Year Limited Manufacturers Warranty

## Riser Diagram



*Where Trust is Built™*  
**DETEX®**  
*Life Safety and Security Door Hardware*

Detex Corporation  
302 Detex Drive  
New Braunfels, Texas 78130-3045 USA  
PH. (830) 629-2900  
(800) 729-3839  
FAX (830) 620-6711  
(800) 653-3839  
<http://www.detex.com>  
USA Sales:  
[marketing@detex.com](mailto:marketing@detex.com)  
International Sales:  
[export@detex.com](mailto:export@detex.com)

# EXIT CONTROL LOCKS ACCESSORY

## DDH-2250

### Double Door Holder

---

The DDH-2250, Double Door Holder, is designed for use with Detex Exit Control Locks to provide locking of the inactive leaf on an outswinging double door. Release of the active leaf disengages the DDH-2250 allowing the inactive leaf to open freely.



### Benefits

---

- Enables the Detex Exit Control Locks to be used with any wood, metal or glass double outswinging exit door
- Flexibility for mounting on either the left or right door
- Simple, easy operation - no mortise required
- Pushing the exit control lock opens the active leaf and automatically disengages the DDH-2250, providing instant emergency exit with both doors

### Features

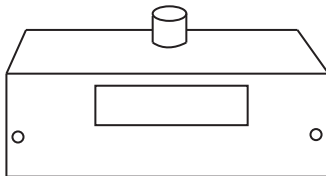
---

- Case hardened steel locking bolt
- Cast housing of 3/16" durable zinc alloy
- 1/4" thick face plate
- Interchangeable pin
- Reversible for right or left hand doors
- Mounting kit contains, screws, allen wrench, strike plate, door protection plate and templates
- Stainless steel spring providing instant release of lock bolt

### Dimensions

---

- 7 1/8" long x 2 1/4" deep x 2 7/8" high



### Detex Limited Warranty

---

3 Year Limited Manufacturers Warranty

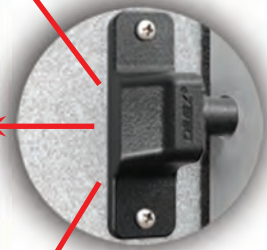
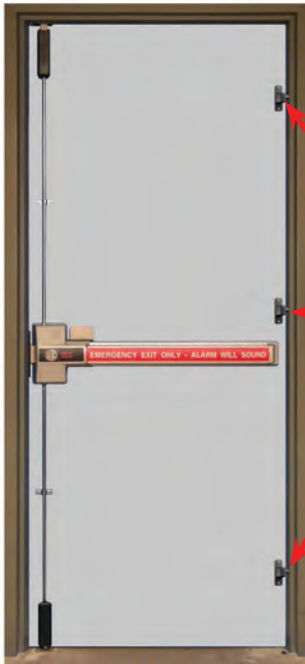
*Where Trust is Built™*  
**DETEx®**  
*Life Safety and Security Door Hardware*

Detex Corporation  
302 Detex Drive  
New Braunfels, Texas 78130-3045 USA  
PH. (830) 629-2900  
(800) 729-3839  
FAX (830) 620-6711  
(800) 653-3839  
<http://www.detex.com>  
USA Sales:  
[marketing@detex.com](mailto:marketing@detex.com)  
International Sales:  
[export@detex.com](mailto:export@detex.com)

# DX BOLTS

## DX1- Single Hinge Bolt / DX2 - Double Hinge Bolts / DX3 Triple Hinge Bolts Hinge Side Locking Dead Bolt for Supplementary Protection

Providing hinge-side protection, the DX Bolt is an additional line of defense against break-ins. Even if the exterior door hinges are compromised the DX Bolts keep your door locked and secure. These passive deadbolts are easy-to-install and offer another layer of attack resistance. DX Bolts can be added to most applications, providing code compliant, economical, multipoint locking security. DX Bolts are available for use with all Detex panic hardware.



Shown here with:  
ECL-230X-TDB-DX3  
6 point lock

### Benefits

- Provides additional line of defense against break-ins
- Attack-resistant design keeps door locked and secure to deter against burglaries
- Adds additional locking points, improving holding strength to slow down crowbar attacks
- Even if the hinges are cut off, the door remains locked and secure
- Easy-to-install design provides secure and accurate bolt engagement every time
- Through-bolt mounting installation improves holding strength

### Features

- Can be added to almost any out-swing door application
- You choose the right level of protection with kits of 1 bolt, 2 bolts or 3 bolts
- Non-handed
- Add DX bolts to any Detex multipoint lock to create 4 point, 5 point and 6 point locking panic hardware
- Kits include through-bolt mounting hardware
- One piece stainless construction provides superior holding strength
- Excellent for exterior applications or doors that get wet

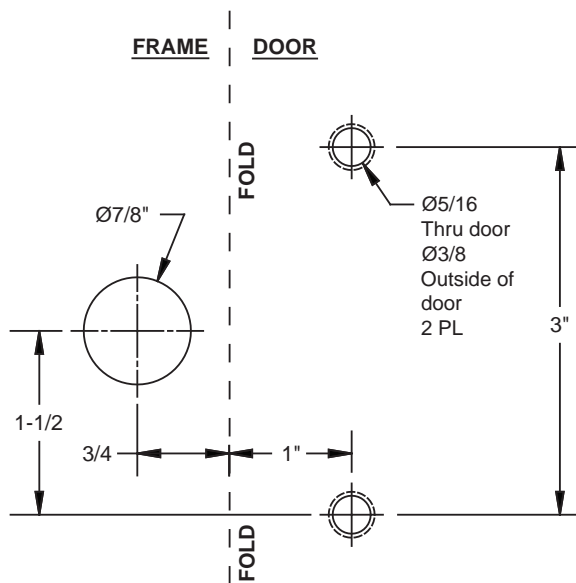
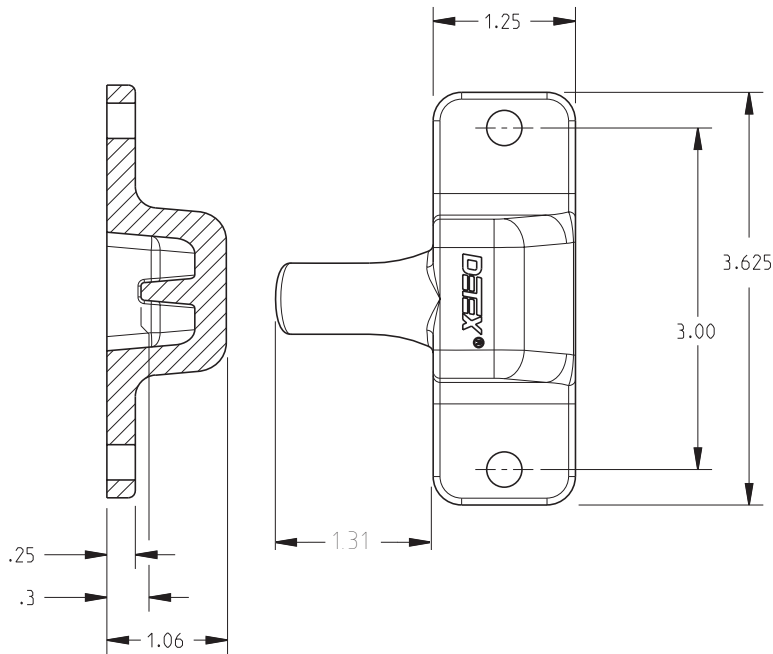
Technical Information

- Door Types - Hollow Metal, Fiberglass or Aluminum
- Door Thickness - Fits standard 1-3/4" - 2-1/4" (for other door thicknesses contact factory)
- Machine Screws with Sex Nut fasteners (Std.)

Finishes

- Available in Steel Gray (GRY) - standard Steel
- Available in Painted Black (BLK)

Dimensions



Listings and Approvals



Detex Limited Warranty

10 Year Limited Manufacturers Warranty



Detex Corporation  
 302 Detex Drive  
 New Braunfels, Texas 78130-3045 USA  
 PH. (830) 629-2900  
 (800) 729-3839  
 FAX (830) 620-6711  
 (800) 653-3839  
<http://www.detex.com>  
 USA Sales:  
[marketing@detex.com](mailto:marketing@detex.com)  
 International Sales:  
[export@detex.com](mailto:export@detex.com)

# VERTICAL ROD ASSEMBLIES

## VRA-143 SERIES

### for Detex Exit Control Lock Systems (230 Series)

A Vertical Rod Assembly (VRA) is used with a Detex Exit Control Lock (ECL-230D) to provide exit control security on outswinging double doors. In addition it may be used on a single door installation to provide top and bottom latching instead of the single point latching provided by the Exit Control Lock itself.

\*For ECL-230X VRA options, see 230X Series



### Benefits

- 2 point locking provides extra security
- 3 versions to suit most conditions
- Surface applied - no mortise required for easy installation
- Automatically released when the ECL-230 device is activated

### Features

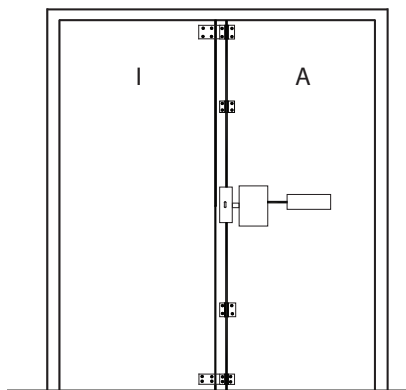
- Heavy duty 3/8" diameter bolts
- VRA-143B secures a single or a pair of doors with one ECL-230D Series Lock, allowing outside access to the active door
- 2 VRA-143C assemblies hold a pair of doors with 2 ECL-230D Series locks, allowing outside access to the active door
- 2 VRA-143D assemblies hold a pair of doors with 2 ECL-230D series locks & permit independent operation of each leaf
- Non-handed
- Sizes accommodate 80" - 120" doors

### Riser Diagram

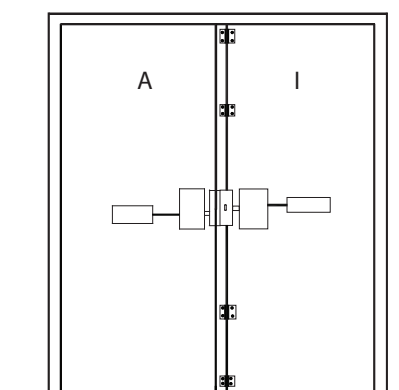
I = Inactive Leaf    A = Active Leaf

A = Active Leaf    I = Inactive Leaf

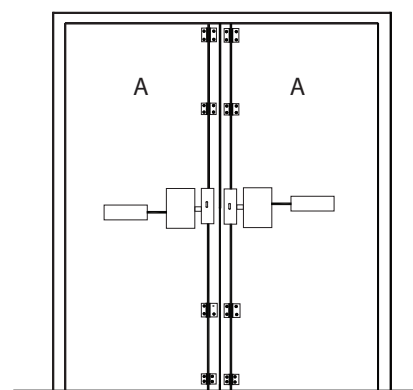
A = Active Leaf



Type "B"



Type "C"



Type "D"



## Mechanical Options

---

- Option B (std) - Active leaf opens both
- Option C - Active leaf opens first; Inactive leaf remains locked until ECL-230D is activated
- Option D - Each leaf independent
- Door Heights - 84" (std) Special 85" to 96" and over 96"

## Accessories

---

- ECL-230D
- ECL-230D-PH
- ECL-436K Bar Guard Kit (for use with ECL-230D)
- ECL-2100K Bar Guard Kit (for use with ECL-230D-PH)
- RC65 - Rim Cylinder
- ECL-1595 - Standard cylinder collar for ECL-230D or ECL-230D-PH
- DX Bolts for hinge locking

## Technical Information

---

- Bolts - case hardened, heat treated and zinc plated
- Rods - steel, zinc plated
- Housing - steel, zinc plated

## Listings and Approvals

---



"U.L. Listed  
Exit Hardware"

## Detex Limited Warranty

---

3 Year Limited Manufacturers  
Warranty

*Where Trust is Built™*  
**DETEX®**  
*Life Safety and Security Door Hardware*

Detex Corporation  
302 Detex Drive  
New Braunfels, Texas 78130-3045 USA  
PH. (830) 629-2900  
(800) 729-3839  
FAX (830) 620-6711  
(800) 653-3839  
<http://www.detex.com>  
USA Sales:  
[marketing@detex.com](mailto:marketing@detex.com)  
International Sales:  
[export@detex.com](mailto:export@detex.com)