



Pool-Pro® Type SP Butterfly Valve

Specifications

Sizes: 1-1/2" – 12"
Models: Wafer Style
Operators: Lever and Gear
Bodies: PVC
Discs: PVC
Seats: EPDM
Seals: EPDM
Stems: S32101 stainless steel

Standard Features (Sizes 1-1/2" – 12")

- **Submersible**
Material of construction allows complete submersion of valve body as all components are compatible with chlorinated water
- **PVC/PVC/EPDM Construction**
Ideal for chlorinated water applications
- **Blue Handle Design**
Blue handle designates the proper valve is in place for chlorinated water applications
- **S32101 Non-wetted Stem**
Stem does not come in contact with the media but is still compatible if in direct contact
- **Thermoplastic Material**
Lightweight construction allows for easy installation
- **ISO Mounting Pad**
Allows for field mounting of accessories including stem extensions, gear operators and automation
- 18-position throttle plate for lever handle style

Parts List (Sizes 1 1/2" - 12")

PARTS			
NO.	DESCRIPTION	PCS.	MATERIAL
1	Body	1	PVC
2	Disc	1	PVC
3	Seat	1	EPDM
4	O-Ring (A)	2	EPDM
5	O-Ring (B)	2	EPDM
6	O-Ring (C)	1	EPDM
7	Stem	1	Stainless Steel S32101
8	Stem Holder	1	Stainless Steel 304
16	Handle	1	PP
16a	Metal Insert in Handle	1	Stainless Steel 316L
17	Handle Lever	1	PPG
18	Pin	1	PPG
19	Spring	1	Stainless Steel 304
20	Washer (A)	1	Stainless Steel 304
21	Bolt (B)	1	Stainless Steel 304
22	Locking Plate	1	PPG
23	Screw (B)	4	Stainless Steel 304
24	Cap (A)	1	PP
25	Gear Box	1	Plasgear™
26	Bolt (C)	4	Stainless Steel 304
158	Gasket	1	EPDM

Sample Specifications

All Pool-Pro® Type SP butterfly valves, sizes 1-1/2"-12", shall be of a PVC body, PVC disc and EPDM construction suitable for chlorinated water applications. Stem shall be of S32101 stainless steel and non-wetted. Valves shall be a self-gasketing design with a convex sealing arrangement. All Pool-Pro® Type SP (1-1/2"-10") valves shall be rated to 150psi and size (12") 100psi at 70° F, as manufactured by Asahi/America, Inc.

Press. vs Temp.Weight (lbs.)

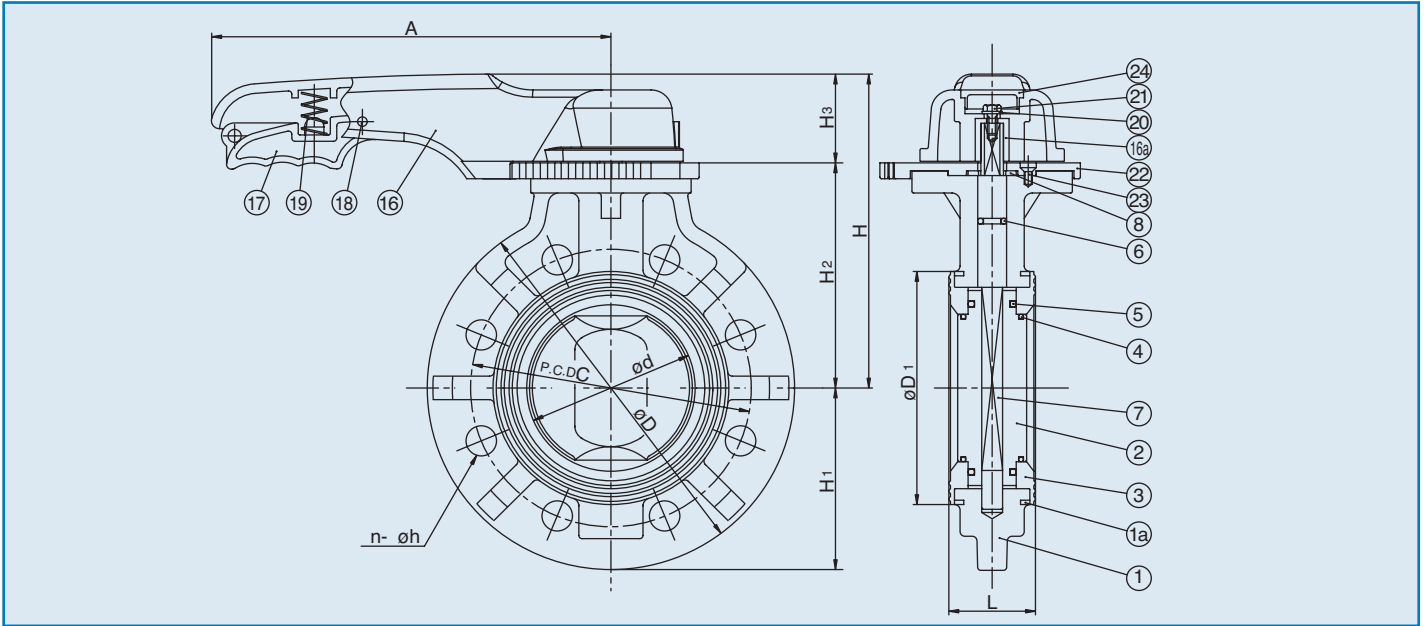
NOMINAL		30° F	NOMINAL		Lever/Gear Operated (lbs.)
INCHES	mm	120° F	INCHES	mm	
1-1/2	40	150	1-1/2 (L)	40	2.7
2	50	150	2 (L)	50	3.1
2-1/2	65	150	2-1/2 (L)	65	3.5
3	80	150	3 (L)	80	4.0
4	100	150	4 (L)	100	5.5
6	150	150	6 (L)	150	13.3
8	200	150	8 (L)	200	19.9
10	250	150	8 (G)	200	24.3
12	300	100	10 (G)	250	41.0
			12 (G)	300	58.4

CV Values

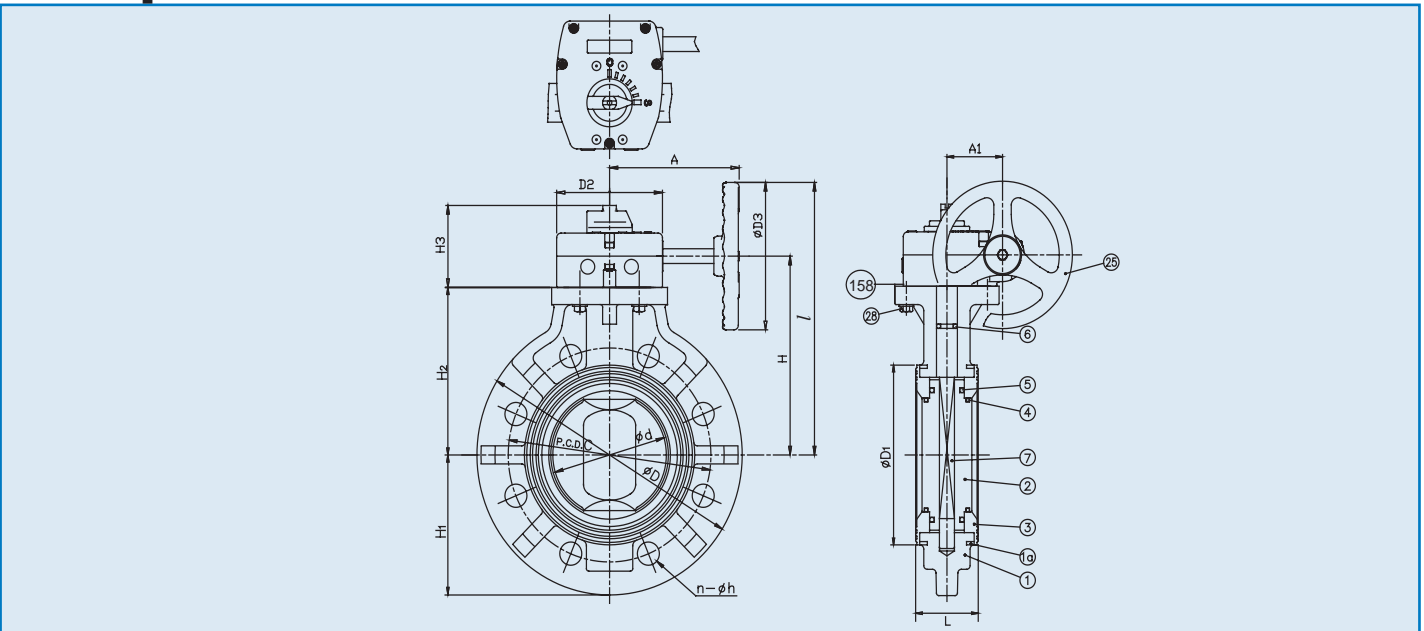
NOMINAL		Cv (at various opening degrees)		
INCHES	mm	30°	60°	90°
1-1/2	40	2.9	43.3	71
2	50	3.9	56.1	92
2-1/2	65	5.9	85.4	140
3	80	9.3	134	220
4	100	15.1	231	380
6	150	46.6	671	1100
8	200	106	1425	2500
10	250	270	1476	3600
12	300	408	2140	5160

Pool-Pro® Type SP Butterfly Valve

Lever Style



Gear Style



Dimensions (in.)

NOMINAL SIZE		ANSI CLASS 150										Gear Style					Lever Style				
INCHES	mm	d	C	n	h	D	D1	D2	D3	L	H1	H	H2	H3	l	A	A1	H	H2	H3	A
1-1/2	40	1.85	3.88	4	0.62	5.91	3.23	4.80	6.30	1.54	2.95	5.12	3.74	3.74	8.27	6.57	2.52	6.14	3.94	2.20	8.66
2	50	2.24	4.75	4	0.75	6.50	3.43	4.80	6.30	1.65	3.27	5.36	3.98	3.74	8.51	6.57	2.52	6.37	4.17	2.20	8.66
2-1/2	65	2.80	5.50	4	0.75	7.28	4.41	4.80	6.30	1.81	3.66	5.79	4.41	3.74	8.94	6.57	2.52	6.81	4.61	2.20	8.66
3	80	3.15	6.00	4	0.75	7.87	4.84	4.80	6.30	1.81	3.94	6.07	4.69	3.74	9.22	6.57	2.52	7.08	4.88	2.20	9.84
4	100	4.13	7.50	8	0.75	9.02	5.79	4.80	6.30	2.20	4.53	6.77	5.39	3.74	9.92	6.57	2.52	7.79	5.59	2.20	9.84
5	125	5.16	8.50	8	0.88	10.00	7.09	4.80	6.30	2.60	5.00	7.84	6.46	3.74	10.99	6.57	2.52	9.49	6.77	2.72	12.60
6	150	6.06	9.50	8	0.88	11.22	8.27	4.80	6.30	2.80	5.63	8.35	6.97	3.74	11.50	6.57	2.52	10.00	7.28	2.72	12.60
8	200	8.03	11.75	8	0.88	13.39	10.12	4.80	6.30	3.43	6.69	9.61	8.23	3.74	12.76	6.57	2.52	11.26	8.54	2.72	15.75
10	250	10.08	14.25	12	1.00	15.98	12.44	4.80	6.30	4.33	7.99	10.87	9.49	3.74	14.02	6.57	2.52	-	-	-	-
12	300	12.60	17.00	12	1.00	19.02	14.57	7.40	11.81	5.08	9.53	13.39	11.73	4.25	19.29	10.71	3.90	-	-	-	-