



Series 83 - Electromni®

Specifications

Motor Type: Unidirectional, Single phase
Size: A83 1/2" - 2" valves
Torque: 120 in-lbs.
Voltage: 120 VAC, 50/60 Hz
Amp Draw: 2.1 Amps
Temp: Ambient Temp to 150° F
Switches: One single pole,
Enclosures: Double throw (15 Amp rating)
 Corrosion/Weather proof -
 Type 4X

Standard Features (Sizes 1/2" - 2")

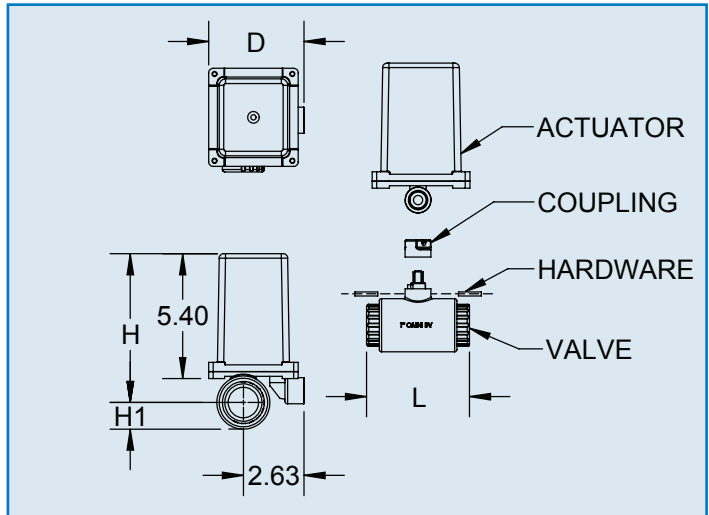
- PVC or CPVC Omni® valve (all materials Type-21 or Type-23 ball valves up to 2")
- Standard models are 120 VAC thermally protected with single limit switch cam/coupling activated
- Redesigned sealed weatherproof enclosure includes:
 - Flanged cover and base Type 4X rated enclosure with Nitrile flat gasket seal
 - Nitrile O-ring or gasket valve to actuator base seal
 - Nitrile motor mounting bolt seals
 - Redesigned NPT threaded to base 90° elbow provides 1/2" NPT conduit entry with 6" color coded wire leads
- Interated ISO mounting pattern baseplates (Type-21 and Type-23 models)
- Direct mounted valves - No mounting bracket required
- Sealed 90° cable entry elbow
- Captivated stainless steel hex head slotted cover screws
- Quarter-turn five second cycle time unidirectional (120 and 230 VAC) motors
- Quarter-turn five second cycle time for low voltage reversing motors (12 VDC, 24 VDC, 12/24 VAC 12/24 VDC)
- Compact and low profile, ideal for OEM type installations

Options

- Voltages: 230 VAC, 12/24 VAC, 12/24 VDC
- Two-wire control relay for retrofitting solenoid (requires constant power and SPST dry contact switching)
- One additional limit switch for open/close position indication
- Amber/green position indicating lights

Sample Specification

All open/close electrically actuated ball valves, sizes 3/8" through 2", shall have direct mounted unidirectional quarter-turn actuators (120 VAC and 230 VAC, 12/24 VAC/VDC shall be reversing). Actuator shall be rated Type 4X design with gasket cover to base seal, captive cover screws, (1) 1/2" NPT conduit fitting with wires protruding 6" for customer hook-up and O-ring or gasket to valve seal. A green wire lead shall be provided for grounding purposes. The actuators shall be factory equipped with Omni®, Type-21 or Type-23 ball valves, as manufactured by Asahi/America, Inc.



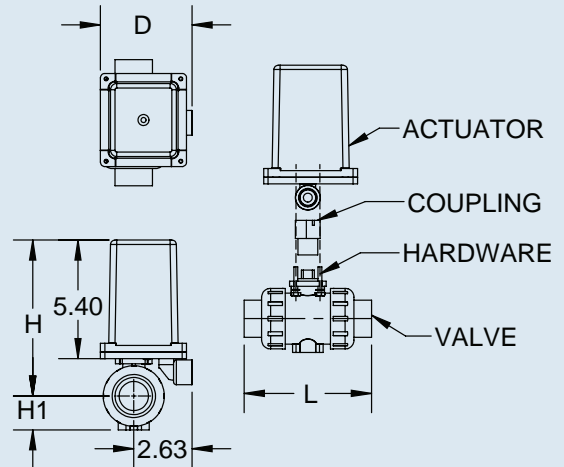
Wt. (lbs.)/Dimensions (in.) Voltage

NOMINAL SIZE	WT. (LBS.)	Dimensions (in.)				Voltage	Current Draw (amps)	Cycle Time (sec)	Duty Cycle (%)	
		H	H1	L	D					
3/8	13	1.75	5.93	.61	3.82	4.14	120 VAC	2.10	5	25
1/2	15	1.75	6.15	.94	4.06	4.14	230 VAC	.60	5	25
3/4	20	2.00	6.35	1.16	4.45	4.14	12 VAC	2.25	5	75
1	25	2.50	6.36	1.15	5.00	4.14	24 VAC	4.00	5	75
1-1/2	40	3.00	6.75	1.45	5.94	4.14	12 VDC	2.00	5	75
2	50	4.00	7.04	1.74	6.97	4.37	24 VDC	3.50	5	75

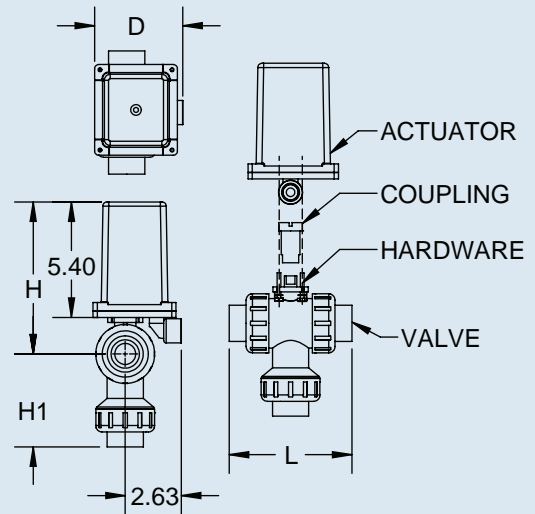
Electrically Actuated Ball Valves



Series 83 on Type-21 Ball Valve



Series 83 on Type-23 Ball Valve



Dimensions (in.)
Series 83 on
Type-21 (1/2"-2")

NOMINAL SIZE		H	H1	L	D
INCHES	mm				
1/2	15	6.58	1.14	4.45	4.14
3/4	20	6.83	1.38	5.08	4.14
1	25	7.1	1.54	5.75	4.14
1-1/2	40	7.79	2.17	7.24	4.60
2	50	8.25	2.60	8.23	4.90

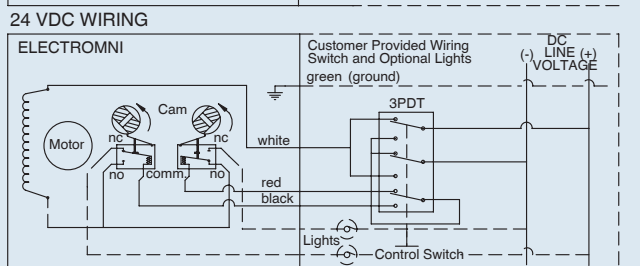
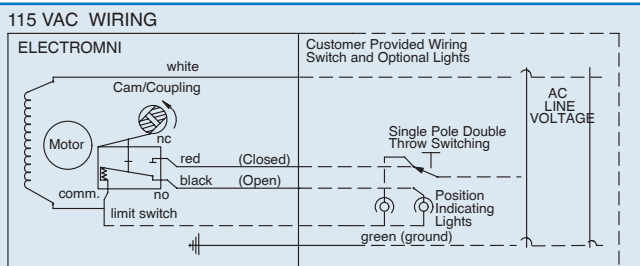
*PVC/CPVC Socket End
FOR FEATURES OF SERIES 83
ACTUATOR, SEE PAGE 18.

Dimensions (in.)
Series 83 on
Type-21 (1/2"-2")

NOMINAL SIZE		H	H1	L	D
INCHES	mm				
1/2	15	6.58	3.05	4.45	4.14
3/4	20	6.83	3.56	5.08	4.14
1	25	7.11	4.34	5.75	4.14
1-1/2	40	7.80	6.09	7.24	4.59
2	50	8.25	6.87	8.23	5.10

*PVC/CPVC Socket End
FOR FEATURES OF SERIES 83
ACTUATOR, SEE PAGE 18.

Wiring



White - Neutral
Black - Hot Open
Red - Hot Closed

To Close: Neg. to White To Open: Pos. to White
Pos. to Black Neg. to Red