

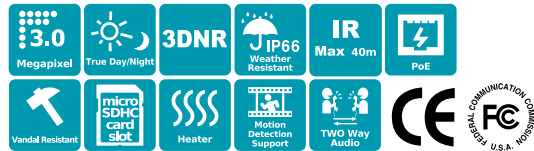
## EZN3340 Plus

3 Megapixel HD Outdoor IR Bullet Network Camera

**NEW**



nevio HD Series ONVIF & PSIA Compliant

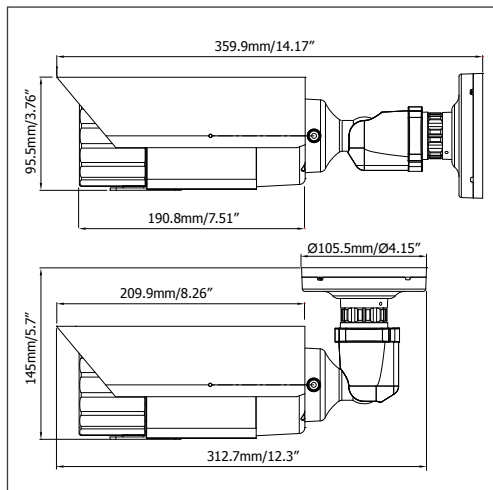


3 Megapixel HD IP Cameras

### Features

- 1/2.8" HD color CMOS image sensor delivers high resolution, and supports both H.264 and Motion JPEG in full frame rate
- High Performance Noise Filter improves image quality
- Dual Codec for H.264 and M-JPEG allows choice of stream formats to fit the application
- Provides true day/night functionality with automatic IR filter operation
- Two Way Audio transport (line level input/output)
- Dual power capability PoE or 12VDC for flexible installation
- Local alarm inputs and outputs
- Extended IR range of up to 40M/131ft. with 44 LEDs
- Split glass to prevent internal IR reflections
- E-Z lock ring at the base is designed with easy to grip tabs for firmly clamp the camera in place, plus a set screw for added security
- Easy bottom access to video test point and lens control inside weatherproof cover plus Remote Zoom & Focus adjustment by web browser
- IP66 and vandal resistant
- Built-in micro SDHC slot for a SDHC card enabling local storage
- ONVIF / PSIA compliance interoperates with a broad range of systems

### Dimensions



### Specifications

Pickup Device	1/2.8" HD progressive scan CMOS sensor
Lens	Vari-focal lens, Auto Iris, 2.8-10mm, F1.3, 19Φ
Minimum Illumination	0 Lux @ F1.3 (IR on)
Day/Night	True Day/Night with IR cut filter
Shutter Time	1/125~1/60,000sec.
Video Compression	H.264/M-JPEG
Max. Video Resolution	2048 x 1536
Frame Rate	2048 x 1536@15fps
Angle of View	Wide: Horizontal 100°, Vertical 73.3°, Diagonal 129.1° Tele: Horizontal 27.3°, Vertical 20.4°, Diagonal 34.3°
S/N Ratio	>50 db
Privacy Mask	Yes
Region of Interest	Yes
Video Streaming	Multi-stream H.264, and Motion JPEG: 1 stream in max. resolution at 15 fps; more streams if identical or limited in frame rate/resolution
Image Settings	Compression, Brightness, Sharpness, Contrast, Saturation, Hue, White balance, Exposure control, Backlight compensation, Rotation, Mirroring of images, Text and image overlay, Auto Gain Control, Auto White Balance
3D Noise	On/Off
Audio Compression	G.711
Operation Mode	Two-way audio
Interface	10Base-T/100Base-TX auto-negotiation, RJ-45 socket Support MDI/MDI-X auto crossover function
Supported Protocols	TCP/IP, IPV6, UDP, ICMP, DHCP, NTP, DNS, DDNS, SMTP, SNMP, FTP, HTTP, HTTPS, PPPoE, UPnP, Bonjour, RTP, RTSP, RTCP, UDP, IGMP, ICMP, ARP, ONVIF, PSIA
Alarm Input/Output	1/1
Event Trigger	Alarm Input, Manual Trigger, Motion Detection, Tamper detection
Notification	Trigger alarm output, Send mail notification, Upload video to FTP, Record video to PC and Network alarm
Micro SD Card	Secure Disk physical layer specification version 2.0 Supports SDHC Host Specification
Power Supply	12 VDC & PoE
Power over Ethernet	PoE 802.3af
Max. Power Consumption	8W (IR LEDs on)
Water Resistant	IP66
Operating Temperature	-40°C~55°C/-40°F~131°F (DC12V) -20°C~55°C/-4°F~131°F (PoE)
Humidity	20% ~ 80% not condensing
Dimensions (O.D.x L) (O.D. x H x L)	(In line) Φ105.5 x 359.9mm/Φ4.15" x 14.17" (Right angle) Φ105.5 x 145 x 312.7mm/Φ4.15" x 5.7" x 12.3"
Weight	1.62 kg/3.57lbs
Certificates	CE, FCC