

# 2010 Product Line Catalog



## Secured Series PC Based Systems





# ACCESS SYSTEM

From enterprise-wide security management to small and mid-size access control, Linear's IEI brand has a choice of Access Systems, giving you the freedom to design a solution that truly matches your needs. Regardless of the complexity of your environment, these Access Systems are easy to install and easy to use.

Scalable. Reliable. Intuitive. Every IEI brand Access System ensures that security personnel can easily access and respond effectively to events. The systems are designed to grow as your requirements expand.

Manage the entry and exit activity to your facilities with our line of Access Systems. The range of products include eMerge with no software to install, PC Based panel systems that are secure and centrally managed, and small proximity single-door systems. We offer a choice of system solutions for every access control application.

PC Based Access Systems	4
Max 3 Access System	4
prox.pad plus	10
Access System Keypads and Readers	12
Access System Accessories	16

## System Choices

### Criteria

Secured Series Max 3	Secured Series MiniMax 3	Secured Series prox.pad plus
Multiple PC	Multiple PC	Multiple PC
Basic I/O with 4 outputs & real time door control	Basic I/O with 4 outputs & real time door control	Basic I/O with 2 outputs
Menu of reports Realtime door status & transaction	Menu of reports Realtime door status & transaction	Standard reports
Any wiegand, multiple formats	Any wiegand, multiple formats	Integrated Proximity & Keypad
64	64	32
128	128	128
2000	2000	2000
20000	20000	20000

## Max 3 Access System

The Secured Series Max 3 access system hardware with Hub Manager Professional software is “access simplified”. The Max 3 is powerful and easy to install and program for small to mid-sized applications. The Max 3 system provides a secure and trusted access control system that uses proven hardware architecture that is based upon the Secured Series HubMax II system. System management from a PC can be either over a LAN/WAN connection or through a RS485 serial connection. All individual door access decisions and transaction events are stored at the Max 3 Module. The Max 3 Module is programmed via LAN, WAN, RS-485, MODEM or IR using the Hub Manager Professional Software. The Max 3 system is available in two cabinet configurations – Max 3 and MiniMax 3. System expansion is made simple with the modular design of the two available configurations. Up to 64 door modules can be networked together per site with virtually unlimited sites.

### Max 3 System Advantages:

- **Fast and Reliable Communications.** Industry standard RS485 communication can be used over either LAN/WAN, Serial, or Modem connections.
- **System Dashboard Utility.** A unique feature of Hub Manager Professional Software which allows operators to view the status and events of system doors, as well as lock or relock doors from a PC.
- **System Setup Tasklist.** Video tutorial and setup wizards that are available in a checklist user interface to indicate completed tasks.
- **Configuration Flexibility.** Accommodates single-door to multi-door installations. Multiple cabinet designs support distributed installations with Mini-Max 3 and home run installations with Max 3.



The **Max 3** cabinet configuration provides the simplest expansion of one to four doors per cabinet when the system needs to be installed in a central location.

The **MiniMax 3** configuration is ideal for applications where the doors are far apart and/or the control is located at the door.

### Easy Ordering Steps for Max 3 Systems

#### 1. Choose a Door Controller

*MAX 3 SYS, MINIMAX 3 SYS, MAX3MOD EX*

#### 2. Choose the Access Credentials

*Cards, Key Fobs, and Tokens*

#### 3. Choose a Communications Module

*SEG-1, SEG-M, IEI232-485 Converter, M3M Modem, or USB-Serial Converter*



## Hub Manager™ Professional Software

Hub Manager Professional Software is a powerful and easy to use solution. Fast and easy to use management reports meet the requirements of the commercial access control market. Hub Manager Professional Software uses “Access Levels” for construction of logical groupings of doors, sites, users and time zones. Building access levels, adding doors, creating users and setting system parameters are made easy with Hub Manager Professional’s setup wizards. With the ability to program and manage all current and legacy hardware platforms such as HubMax II, Max3, Hub MiniMax II, MiniMax3, prox. pad plus and the LS series locksets, Hub Manager Professional completes your access systems needs.

\*LAN/WAN connectivity requires the purchase of LAN/WAN device, part number SEG-1 or SEG-M. Modem connectivity requires the purchase of M3M Modem.



Version 8.0 of Hub Manager Professional is included with all Secured Series systems and kits, and with prox.pad Plus series of products and LS2 Series of products. It can also be downloaded free of charge from our website at [www.linearcorp.com/downloads.php](http://www.linearcorp.com/downloads.php). Version 8.0 is reverse compatible to all pre-existing Secured Series controllers.

### MAJOR FUNCTIONALITY

- Supported Operating Systems:
  - Windows Vista Business™*
  - Windows Vista Home Premium™*
  - Windows XP Home™*
  - Windows XP Professional™*
  - Windows Server 2003™*
  - Windows Server 2008™*
  - Windows Vista Business (Spanish Edition)™*
- Support the Max 3 Output Module (M3-OM), which adds 8 outputs per door
- Temporary User features
- Improved access level detail screen with each door edited separately
- Delete use feature
- Expanded time management reports

### ADDITIONAL NEW FEATURES & ENHANCEMENTS

- Selectable modem retries
- Selected installation directory, important for Latin America versions of Windows
- First-In auto unlock can be triggered by user
- DTD printer support – Data Transfer Device for LS & prox.pad Plus IR
- Faster data communication across IP networks

## PC Based Access Systems

The Networked PC Based Access Systems provide users with a wide range of features and installation choices. We address your access system needs with three flexible approaches – two panel systems and one small proximity solution. The **Max 3** is a panel system that allows for fast and easy expansion 4 doors at a time up to a maximum of 64 doors. The **MiniMax 3** is a panel system for single door control, yet has the capability to grow as your system requirements expand. The **prox.pad plus** is a small proximity solution that provides large system features in a self-contained controller. The prox.pad plus can be networked with other prox.pad plus controllers to a system capacity of 32 doors.

Each of our Networked Access Systems uses our Hub Manager Professional software package to expand the basic feature set and manage system doors and users.

## Max 3 Access Control System Kits

### MAX 3 SYS

- Max 3 single-door kit
- Max 3 oversized metal cabinet with lock
- One Max 3 door control module (DCM) installed
- Max 3 Backplane supports three additional DCMs
- One XF1050 AWID, HID, xCeedID, and Casi/ProxLite compatible proximity reader
- Includes system AC transformer
- Includes AC transformer and 12/24 VDC power supply for lock power
- Hub Manager Professional software
- Requires communication module

### MINIMAX 3 SYS

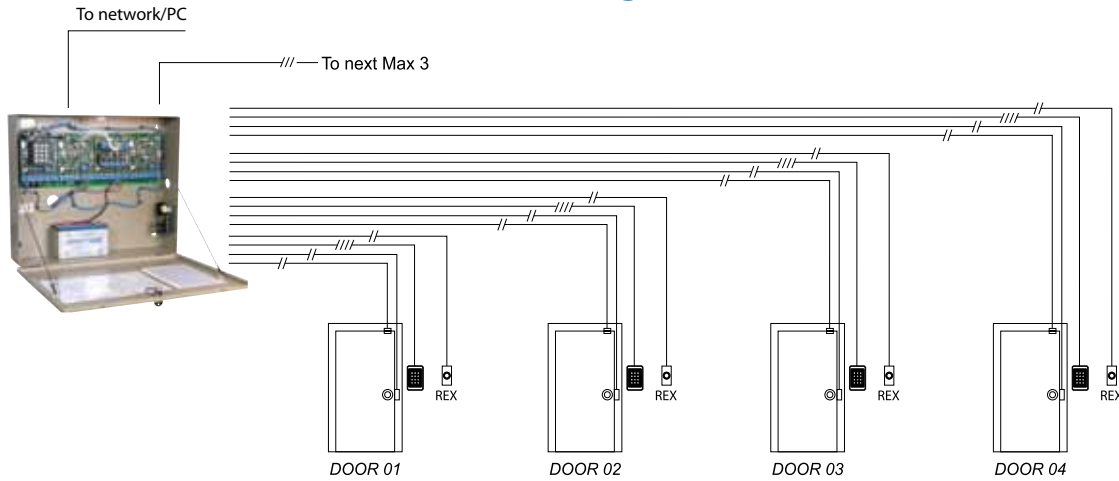
- MiniMax 3 single-door kit
- MiniMax 3 metal cabinet with lock
- Max 3 Door control module (DCM)
- One XF1050 AWID, HID, xCeedID, and Casi/ProxLite compatible proximity reader
- AC transformer
- Built-in 12 VDC 1 amp power supply
- Programming keypad
- Hub Manager Professional software
- Requires communication module

### MAX3MOD EX

- Max 3 single-door expansion kit
- Plugs into Max 3 backplane
- One Max 3 Door control module (DCM)
- One XF1050 AWID, HID, xCeedID, and Casi/ProxLite compatible proximity reader

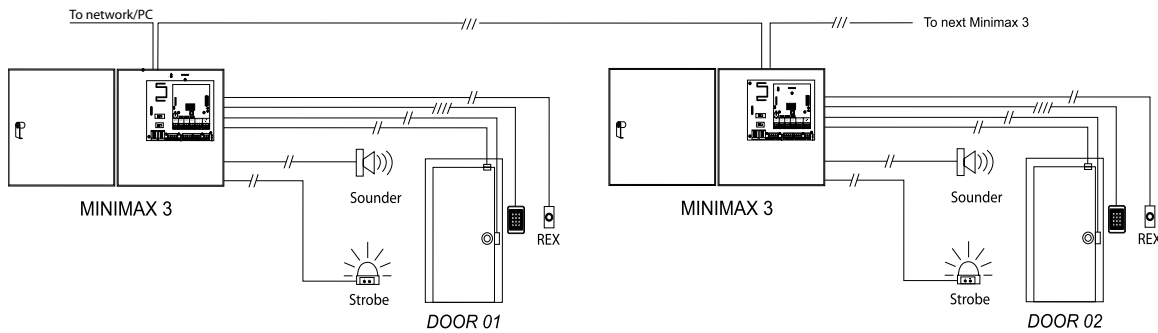
# Choose the system for your application

## Centralized Configuration



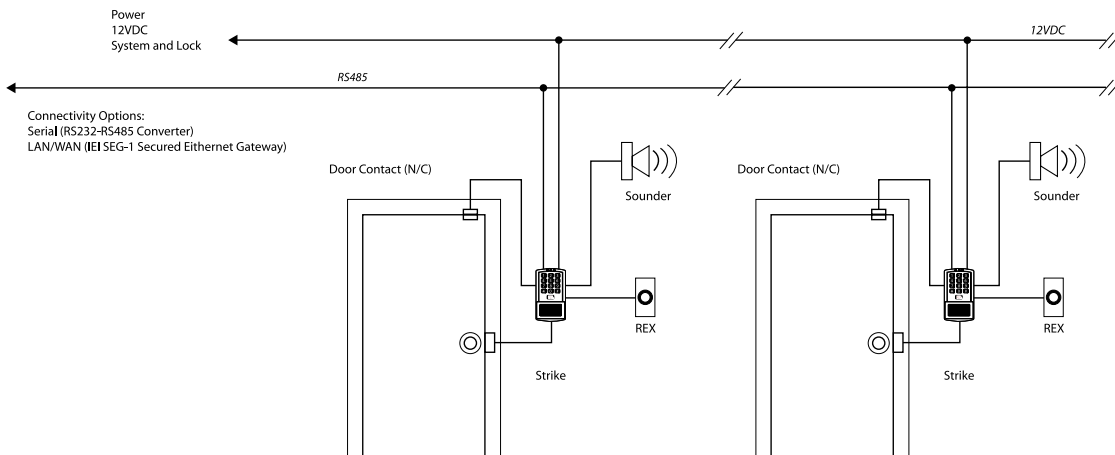
**Max 3** – The Max 3 cabinet is placed in a central “secure” location, and all wiring is run back from each door to the Max 3

## Distributed Configuration



**Minimax 3** – Each Minimax 3 is located in close proximity to the door, reducing the wiring runs.

## Small Proximity “At the Door” Configuration



**prox.pad plus** – Each prox.pad plus is located at the door acting as the reader and the controller. The wire connections are made at each door.

**All three systems are compatible and hardware can be mixed and matched.**

## Max 3

Max 3 starts as a single-door access control system. With easy to install plug in Door Control Modules the system can expand as system requirements grow. Each Max 3 comes complete with a Max 3 backplane, one Max 3 Door Control Module, programming keypad, class II 16.5 VAC transformer and mounting enclosure. The backplane provides expansion slots for three more Max 3 Door Control Modules allowing for up to four modules per can.

## MiniMax 3

The MiniMax 3 contains the Door Control Module (DCM) for single door control that can be networked with other MiniMax 3 controllers or Max 3 controllers to expand your system up to a total of 64 doors. The MiniMax 3 backplane not only has the DCM pre-installed, it also contains a power supply for readers as well as for a door strike or magnetic lock (AC or DC). The enclosure dimensions are ideal for applications where the controller is installed at the door (e.g. above the ceiling over the door).

\*LAN/WAN connectivity requires the purchase of LAN/WAN device, part number SEG-1 or SEG-M. Modem connectivity requires the purchase of M3M Modem.

### FEATURES

- 2000 Users per door
- Network up to 64 doors
- Supports IEL system keypads & readers as well as Wiegand readers
- 2000 Transaction storage per door
- First-In Auto Unlock
- Eight Time zones per door
- 16 Single Date Holidays per door
- 16 Block Date Holidays per door
- Error Lockout
- Supports Adjustable Daylight Savings Time
- Programmable with Hub Manager Professional Software 7.2 or higher
- LAN/WAN Connectivity (requires SEG-1 or SEG-M)
- Serial connection made with USB to 485 converter



Max 3



### SPECIFICATIONS

- Operating Voltage: 16.5 VAC 40 VA Class 2 transformer
- Current Requirements: 100 mA (backplane & 1 module) add 40 mA for each module / MiniMax 3 - Current Requirements: 120 mA
- Front End Reader: 13.8 VDC 300 mA
- Main Relay: 12-24 VAC/DC 2 A
- Alarm Shunt, Door Ajar, Forced Door Outputs: 12-24 VAC/DC, 1 mA each
- REX/Door Loop: Dry contact closure
- Max 3 - Dimensions: 16.50" x 19.50" x 4.25" / MiniMax 3 Dimensions: 11.31" x 11.29" x 3.56"
- Temperature tolerance: -20F to 130F
- Indoor use only



MiniMax 3

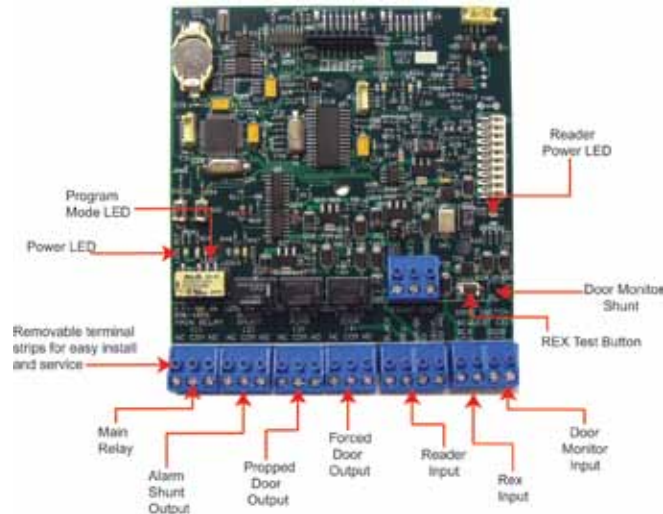


## Max Module (Expansion for Max 3)

The Max 3 Door Control Module (Model Max3Mod) provides single door access control with a wide range of features and functionality. DCM's are added to the Max 3 cabinet for system expansion of up to 64 doors. The DCM comes installed in each MiniMax 3, and in the first bay of each Max 3 access system. All access and egress decisions are made at each DCM. When managed with Hub Manager Professional software, the DCM supports multiple access levels to control access. The position status of a door is monitored via a set of normally closed (NC) door contacts. Depending of the state of the door, the DCM will trigger a Forced or Propped door alert while recording that event in the transaction buffer. These transactions can be viewed with Hub Manager Professional to monitor each aggress and access point.

### FEATURES

- 2000 Users
- 2000 Transaction Event Buffer
- 8 Time zones
- 16 Holidays
- First-In auto unlock
- Supports two readers for one door in and out monitoring
- Forced/Propped Door
- Alarm shunt
- REX & Door monitoring inputs



## Max 3 Output Module

The Max 3 Output Module (M3-OM) adds 8 form C control relay outputs to a Max 3 Module. The module enables Secured Series customers to handle a greater number of applications such as elevator control, handicapped door control, and controlling or triggering a camera or DVR upon a card read or PIN code. Version 8.0 or higher of Hub Manager Professional Software is required for the Output Module. The Output Module is compatible with the Max 3 v2 or higher controller.

Using the Max 3 Output Module will allow you to control multiple outputs for each Max 3 system user from any given reader or keypad. Hub Manager Professional Software will allow you to specify a custom name and timer value for each of the 8 outputs. Each output can be set to toggle or for timed operation. Any combination of these outputs can be assigned to user and the user will trigger these outputs when they gain access.

### FEATURES

- Adds 8 Form C Control relay outputs to a Max 3 Module
- Includes power LED and individual relay status LEDs
- Ability to specify a custom name and timer value for each of the 8 outputs
- Convenient "stackable" mounting to the Max 3 module
- Securely installs in Max 3 and MiniMax 3 cabinet
- Primary and back-up power from Max 3 or MiniMax 3 system
- Plug & Play design



# Small Proximity Access System

## prox.pad plus

Prox.pad plus is a fully integrated PC managed single door access system with a stand alone proximity reader and keypad. The prox.pad plus when used on it's own provides cost effective standard access control functionality with the use of it's two relays and two inputs for request to exit and door position, and enhanced system functionality when used with Hub Manager Professional software. The software allows the management of people and doors through easy to create reports and step by step wizard assisted expanded feature functionality. The software can communicate to the prox.pad plus either through a 485 connection, or on a LAN/WAN using the SEG-1 TCP/IP communication device. By utilizing the proximity reader and keypad together, a higher level of security is achieved by requiring both to grant access. The prox.pad plus can be directly mounted to a single gang electrical box or to most flat surfaces. The proximity reader is capable of being mounted up to a maximum of 10 feet away from the prox.pad plus.

\*LAN/WAN connectivity requires the purchase of the LAN/WAN device, part number: SEG-1

### FEATURES

- Integrated door control, proximity reader and keypad
- 2000 users
- 2000 event audit trail
- 32 doors per site (when managed with Hub Manager Professional)
- Bi-color LED to indicate operation
- Weather resistant design
- HID 26 – 40 bit format card compatibility
- HID Corporate 1000 compatible
- Fits over a single gang electrical box
- Communication via – SEG-1 (LAN/WAN) or USB to 485 converter
- Remote proximity reader mounting and glass mount option

### SPECIFICATIONS

- Dimensions: 2.75" x 5.25" x 1.38"
- Operating voltage: 12 VDC only
- Temperature tolerance: -31F to 150F
- Main relay: Form C 2 amp SPDT
- Auxiliary Relay: Form C 1 amp SPDT
- REX/Door Loop: Dry contact closure
- Indoor/outdoor use



*Remotely Mounted prox.pad proximity reader*

## prox.pad plus IR

Prox.pad plus IR with wireless Infra-red communication, is a fully integrated PC managed single door access system with a stand alone proximity reader and keypad. The prox.pad plus IR provides entry level to mid-sized access control functionality with the use of it's two onboard relays and two inputs for request to exit and door position monitoring. Enhanced system functionality is achieved when managed with the Hub Manager Professional software. The software allows the management of people and doors through fast and easy report creation and step-by-step wizards that assist in adding expanded feature functionality.

### FEATURES

- Integrated HID proximity reader and keypad
- Wireless Infra-red (IR) communications
- Glass mount kit included
- 2000 users
- 2000 local transaction storage
- 2 onboard Form C relays
- Hub Manager Professional software compatible (7.2 or greater)
- Scalable 99 doors per site
- Card, code, card and/or code capabilities
- Proximity reader can be mounted up to 10 feet from the controller
- Midnight crossing time zones & Holiday scheduling



### SPECIFICATIONS

- No communication wiring needed, resulting in faster and less costly installation.
- Lower total system installation cost.
- Integrated door control, proximity reader and keypad provide a fast complete system installation.
- Hub Manager Professional software is included for expanded system functionality.

## Data Transfer Device

Hand-held DATA TRANSFER DEVICE (model DTD) for wireless infrared (IR) transfer of data and retrieval of stored events from the software managed prox.pad plus IR, LS2 and LS2P Series wireless access control locksets. Data is saved to an internal memory for transfer to a PC via USB connection. Powered by 4 "AA" batteries. Includes Hub Manager Professional software, USB cable & batteries

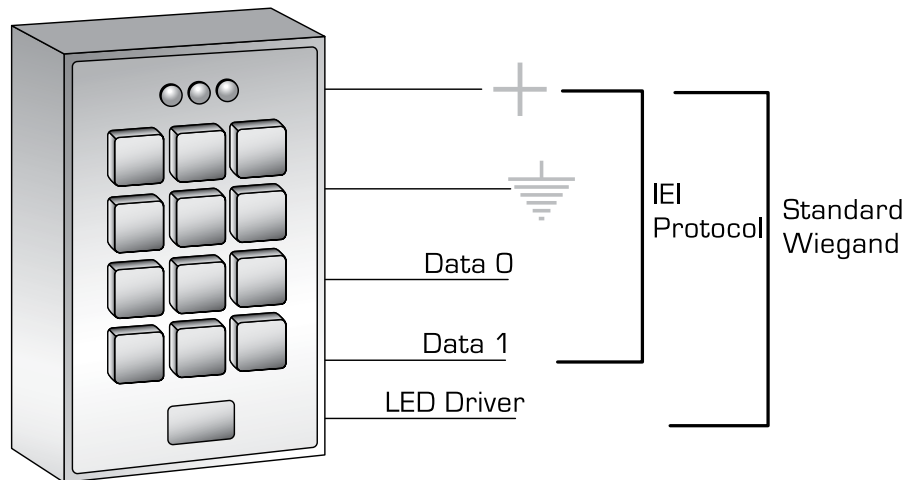
### FEATURES

- Infrared hand held communication
- Battery powered
- Works with the prox.pad plus IR single door access system
- Works with the LS2 & LS2P access control locksets



## Access Systems Keypads & Readers

Several styles of keypads and readers are available to meet most system requirements. We offer a wide range of keypad and reader styles with the ability to communicate to IEI access systems, or most standard Wiegand protocol systems.



### Secured Series/Wiegand Series (SSW)

SS Wiegand series keypads offer both IEI IM proprietary reader communication protocol, and standard Wiegand communication protocol in multiple style choices.

### Secured Series (SS) – IEI Proprietary Protocol

SS Series keypads and readers are designed as front-end readers for Max 3 access control systems.

### Wiegand (W)

A wide range of readers that are used as front-ends for most systems that accept standard Wiegand data.

# Keypad and Reader Compatibility Table

Model	Accessibility			Communication Protocol				Compatible with Access Credential Type										
	Keypad	Proximity	Magnetic Card	125 kHz Proximity Card or Fob		13.56 MHz Proximity Card or Fob				Magnetic Card								
				RS-232	Wiegand	Secured Series	AWID	HID	GE/CASI		Leibel	FIPS 201 PIV II	ISOX	ISOX LITE	MIFARE	DESFire	Track II A101 Card	
XF1100D-PIV		●			●		●	●	●	●	●	●	●	●	●			
XF2100D-PIV		●			●		●	●	●	●	●	●	●	●	●	●		
XF2110D-PIV		●			●		●	●	●	●	●	●	●	●	●	●		
XF1100		●			●		●	●	●	●		●	●	●	●	●		
XF2100D		●			●		●	●	●	●		●	●	●	●	●		
XF2110D	●	●			●		●	●	●	●		●	●	●	●	●		
XF1050		●			●		●	●	●	●								
XF1060MF		●			●								●	●	●			
XF1060XX		●			●								●					
XF1500D		●			●		●	●	●	●		●	●	●	●			
XF1550		●			●		●	●	●	●								
SSW-ILM	●				●	●												
SSW-FX	●				●	●												
SSW-ILW	●				●	●												
SS-PROXPOINT		●			●	●			●									
PROX.PAD	●	●			●	●			●									
PROXPOINT PLUS		●			●				●									
MINIPROX		●			●				●									
THINLINE II		●			●				●									
PROXPRO II		●			●				●									
MAXIPROX		●		●	●				●									
SR2400		●			●		●											
MM6800		●		●	●		●											
SP6820		●		●	●		●											
KP6840	●	●		●	●		●											
MR1824		●		●	●		●											
WP644			●		●													●
SS-KP500WP	●					●												
SS-KP500R-WH	●					●												
CR500W			●		●													●



## Access Systems Keypads & Readers

### Fips 201 PIV Readers



**XF1100D-PIV**

- Multi-frequency mullion reader
- 125 kHz & 13.56 MHz
- FIP 201 US Government Compliance
- PIV II credential compatible
- Read range up to 5" with proximity
- Read range up to 2" for PIV II credentials
- Tri-state LED
- Tamper detection
- 5.85" x 1.72" x 1.14"



**XF2100D-PIV**

- Multi-frequency mid-range reader
- 125 kHz & 13.56 MHz
- FIP 201 US Government Compliance
- PIV II credential compatible
- Read range up to 8" with proximity
- Read range up to 2" for PIV II credentials
- Tri-state LED
- Tamper detection
- 5.85" x 4.5" x 1.45"



**XF2110D-PIV**

- Multi-frequency mid-range reader and keypad
- 125 kHz & 13.56 MHz
- FIP 201 US Government Compliance
- PIV II credential compatible
- Read range up to 8" with proximity
- Read range up to 2" for PIV II credentials
- Tri-state LED
- Tamper detection
- 5.85" x 4.5" x 1.45"

### xCeed ID Smart Card/Weigand Readers



**XF1100D**

- Multi-frequency mullion reader
- 125 kHz & 13.56 MHz
- Read range up to 5"
- Tri-state LED
- Tamper detection
- 5.85" x 1.72" x 1.14"



**XF2100D**

- Multi-frequency mid-range reader
- 125 kHz & 13.56 MHz
- Read range up to 8"
- Tri-state LED
- Tamper detection
- 5.85" x 4.50" x 1.45"



**XF2110D**

- Multi-frequency mid-range reader and keypad
- 125 kHz & 13.56 MHz
- Read range up to 8"
- Tri-state LED
- Tamper detection
- 5.85" x 4.50" x 1.45"



**XF1050**

- Single-frequency mullion reader
- 125 kHz AWID, HID, xCeedID, Casi/ProxLite compatible
- Read range up to 3"
- Tri-state LED
- 4.02" x 1.72" x 1.00"



**XF1060MF**

- Single-frequency mini-mullion reader
- 13.56 MHz MIFARE, DESFire, and ISOX Lite compatible
- Read range up to 3"
- Tri-state LED
- 4.02" x 1.72" x 1.00"



**XF1060XX**

- Single-frequency mini-mullion reader
- 13.56 MHz ISOX compatible
- Read range up to 3"
- Tri-state LED
- 4.02" x 1.72" x 1.00"



**XF1500D**

- Multi-frequency wall-mount reader
- 125 kHz & 13.56 MHz AWID, HID, xCeedID, Casi/ProxLite compatible
- Read range up to 5"
- Tri-state LED
- Tamper detection
- UL 294 Listed
- 5.1" x 3.25" x 1.45"



**XF1550**

- Single-frequency wall-mount reader
- 125 kHz AWID, HID, xCeedID, Casi/ProxLite compatible
- Read range up to 5"
- Tri-state LED
- Tamper detection
- UL 294 Listed
- 5.1" x 3.25" x 1.45"

### Secured Series / Wiegand Readers



**SSW-ILM-BZ (BRONZE)**

**SSW-ILM-AL (ALUM.)**

- Illuminated, hardened keys
- Fits on door frame
- Available in Bronze or Aluminum
- 6.48" x 1.71" x 1.12"



**SSW-FX**

- Vandal-resistant metal case
- No moving parts
- Touch sensitive flat keys
- 5.1" x 3.47" x .71"



**SSW-ILW**

- Illuminated hardened keys
- Flush mount
- 5.1" x 3.47" x .71"



**SS-PROXPOINT-BK (black)**

**SS-PROXPOINT-GY (gray)**

- HID compatible
- Fits on door frame
- Read range 2-3"
- 3.135" x 1.7" x .510"
- Available in gray and black
- UL 294



**PROX.PAD™**

- Keypad & proximity
- HID compatible
- Includes glass mount kit
- 5.26" x 2.75" x 1.375"
- UL 294

## Wiegand Only Readers



- ProxPoint Plus-BK** (black)  
**ProxPoint Plus-GY** (gray)
- Mini mullion-mount proximity reader
  - HID Compatible
  - Read range 2-3"
  - UL 294 Listed
  - 3.135" x 1.7" x .66"



- MiniProx-BK** (black)  
**MiniProx-GY** (gray)
- Mullion-mount proximity reader
  - HID Compatible
  - Read range up to 5.5"
  - Sealed for indoor or outdoor use
  - Tamper detection
  - UL 294 Listed
  - 6.0" x 1.7" x 1.0"



- ThinLine II-BK** (black)  
**ThinLine II-GY** (gray)
- Low profile proximity reader
  - HID Compatible
  - Read range up to 5.5"
  - UL 294 Listed
  - 4.7" x 3.0" x .5"



- ProxPro II-BK** (black)  
**ProxPro II-GY** (gray)
- Medium range proximity reader
  - HID Compatible
  - Read range up to 8"
  - UL 294 Listed
  - 5.0" x 5.0" x 1.0"



- MaxiProx**
- Long range proximity reader
  - HID Compatible
  - Read range up to 24"
  - Tamper detection
  - UL 294 Listed
  - 11.8" x 11.8" x 1.0"



- SR 2400**
- 4 – 5 1/2" read range
  - Metal compensated, Mullion mounting
  - Standard Wiegand output
  - Compatible with AWID credentials
  - UL 294
  - 1.80" x 4.50" x .70"



- MM 6800**
- 6 – 8" read range
  - Metal compensated, Mullion mounting
  - Wiegand & RS232 output
  - Compatible with AWID credentials
  - UL 294
  - 1.75" x 6.00" x 1.00"



- SP 6820**
- 6 – 8" read range
  - Mounts to single-gang electrical box
  - Wiegand & RS232 output
  - Compatible with AWID credentials
  - UL 294
  - 3.10" x 4.60" x .875"



- KP 6840**
- 6 – 8" read range
  - Keypad output
  - Mounts to single-gang electrical box
  - Wiegand & RS232 output
  - Compatible with AWID credentials
  - UL294
  - 3.10" x 4.60" x .875"



- MR 1824**
- 18-24" read range
  - 5 – 12VDC low current draw
  - Wiegand & RS232 output
  - Compatible with AWID credentials
  - UL 294
  - 8.00" x 7.41" x 1.5"



- WP644**
- Dorado weatherproof pass-through reader
  - Accepts magnetic stripe credential
  - Wiegand or Clock-and-Data output
  - 4.75 - 5.25 VDC@ 35mA
  - 6.0" x 1.75" x 1.49"

## Secured Series Only Readers



- SS-KP500WP**
- Vandal-resistant
  - Metal keys w/Braille
  - Surface mount
  - 4.5" x 3.0" x 1.55"



- SS-KP500R-WH**
- One piece housing suitable for wall, post, or gooseneck mounting
  - 5.25" x 3.75" x 2.5"



- CR500W**
- Uses any Track II ANSI cards
  - 4.5" x 1.75" x 1.55"

# Accessories

## Communications Devices



### SEG-M

This Secure Ethernet Gateway converts TCP/IP to serial, which enables IEI access systems to use existing corporate network infrastructures. It plugs easily into the Max3, HubMax II, MiniMax 3 & Hub MiniMax II backplanes.



### SS-IM

- Converts 26-bit Wiegand data to IEI proprietary reader data
- For use with HubMax II & Hub MiniMax II access systems
- 5-12 VDC
- UL 294 Listed



### IEI232-485 Converter

- Converts either RS232 or RS485 at the PC for communication to IEI PC Based Access Control Systems

## Legacy Support Accessories



### M3M Max 3 Modem

- Provides dial-up remote site management for Max 3 and MiniMax 3 systems
- Convenient "stackable" mounting to Max 3 module
- Supports a wide variety of PC side modems
- Primary and backup power from system



### SEG-1

This Secure Ethernet Gateway is a wall mounted device enabling TCP/IP to serial conversion. It enables IEI access systems to use existing corporate network infrastructures.



### USB-Serial

- Converts either RS232 and/or RS485 to USB
- For use with Max 3, HubMax II and prox.pad plus access systems



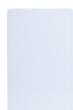
### SS-Modem

- Plug in modem for HubMax II & Hub MiniMax II access systems
- Remotely program HubMax II & Hub MiniMax II access systems
- 12-24 VDC/VAC

## Access Credentials

### Cards

#### 26-Bit Wiegand 125 kHz HID Cards



##### EA-EV-C1001

- Premium blank white cards
- 30 mil thickness
- 5 packs of 100 cards



##### EA-EV-C2001

- Premium blank white paper cards
- 10 mil thickness
- 5 packs of 100 cards



##### EA-EV-C4001

- Blank white cards
- 30 mil thickness
- 5 packs of 100 cards

##### ISOProx

- Sold in lots of 25

##### ProxCrd II

- Pre-punched in portrait orientation
- Sold in lots of 25

#### 26-Bit Wiegand 125 kHz HID Prox/Mag Cards



##### EA-EV-C1003

- Premium blank white cards
- 30 mil thickness
- 5 packs of 100 cards



##### EA-EV-C4003

- Blank white cards
- 30 mil thickness
- 5 packs of 100 cards

##### DuoProx

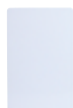
- For Prox.Point readers
- Sold in lots of 25

#### 26-Bit Wiegand 125 kHz AWID Cards



##### CS26S

- Clam shell style prox badges, no logos
- Pre-punched in portrait orientation
- Sold in lots of 25



##### GR26S

- Graphics quality both sides
- ISO compliant
- Sold in lots of 50

#### 36-Bit Wiegand 125 kHz AWID Cards



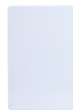
##### CS36S

- Clam shell style prox badges, no logos
- Pre-punched in portrait orientation
- Sold in lots of 25



##### CS36S-L

- Clam shell style prox badges with logos
- Pre-punched in portrait orientation
- Sold in lots of 25



##### GR36S

- Graphics quality both sides
- ISO compliant
- Sold in lots of 50

#### 26-Bit Wiegand 125 kHz AWID Prox/Mag Cards



##### GRMAG26S

- 3-track high-CO ABA magnetic stripe
- Graphics quality ISO with cards
- Sold in lots of 50

#### 36-Bit Wiegand 125 kHz AWID Prox/Mag Cards



##### GRMAG36S

- 3-track high-CO ABA magnetic stripe
- Graphics quality ISO with cards
- Sold in lots of 50

#### 13.56 MHz xCeedID Smart Cards



##### 9432

- Proximity Clam Shells
- 2.5k bit memory
- Sold in lots of 50

##### 9440

- Proximity Clam Shells
- 10k bit memory
- Sold in lots of 50

##### 9532

- Proximity Cards
- 2.5k bit memory
- ISO graphic quality type cards
- Sold in lots of 50

##### 9540

- Proximity Cards
- 10k bit memory
- ISO graphic quality type cards
- Sold in lots of 50

#### Magnetic Stripe Cards



##### MagCrd-25

- Track II encoded
- Low-CO magnetic stripe
- Sold in lots of 25

##### MagCrd-100

- Track II encoded
- Low-CO magnetic stripe
- Sold in lots of 100

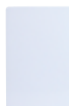
##### MagHico-25

- Track II encoded
- High-CO magnetic stripe
- Sold in lots of 25

##### MagHico-100

- Track II encoded
- High-CO magnetic stripe
- Sold in lots of 100

#### 125 kHz Indala Proximity Cards



##### PrxCrd-25

- Indala reader compatible
- Sold in lots of 25

##### PrxCrd-100

- Indala reader compatible
- Sold in lots of 100

### Key Fobs



##### 9640

- xCeedID Smart Card Tags
- 13.56 MHz Proximity Key Tags
- 10k bit memory
- Sold in lots of 50



##### KT26S

- Wiegand 125 kHz Proximity Key Fobs
- Standard 26-bit format
- AWID compatible
- Sold in lots of 20



##### KT36S

- Wiegand 125 kHz Proximity Key Fobs
- IEI 36-bit format
- AWID compatible
- Sold in lots of 20

##### ProxKey

- Wiegand 125 kHz Proximity Key Fobs
- Standard 26-bit format
- HID compatible
- Sold in lots of 25



##### TchChp-25

- Touch Reader Chips
- Track II encoded
- Dallas Semi-conductor touch chip
- Works with SS-TCH500W reader
- Sold in lots of 25



##### TchChp-100

- Touch Reader Chips
- Track II encoded
- Dallas Semi-conductor touch chip
- Works with SS-TCH500W reader
- Sold in lots of 100

### Tokens



##### MicroProx

- Wiegand 125 kHz Proximity Tags
- Standard 26-bit format
- HID compatible
- 1-inch diameter with adhesive back
- Sold in lots of 20



##### PW26S

- Wiegand 125 kHz Proximity Wafers
- Standard 26-bit format
- AWID compatible
- 1-inch diameter with adhesive backing
- Sold in lots of 50

##### PW36S

- Wiegand 125 kHz Proximity Wafers
- IEI 36-bit format
- AWID compatible
- 1-inch diameter with adhesive backing
- Sold in lots of 50

