

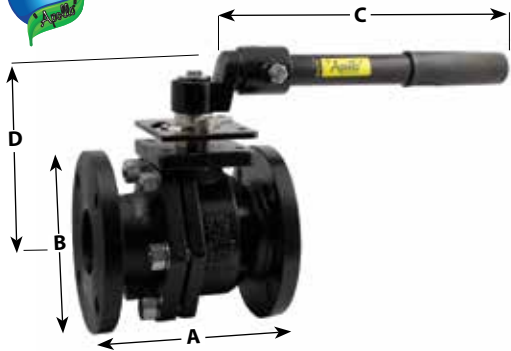
# COMMERCIAL PRODUCTS CATALOG

## Apollo International™ Cast Iron Ball Valve

### 6PLF SERIES



Now Available!



### CAST IRON CLASS 125 FLANGED BALL VALVE

The cast iron/epoxy coated, Class 125 Apollo International™ 6PLF Series Lead Free\* Ball Valves offer unobstructed turbulence-free flow that gate and butterfly valves can't match. Compact design and low profile handle for easy installation in tight areas.

#### FEATURES

- A126 Class B Cast Iron Body with FDA food-grade epoxy powder coat
- Stainless Steel Ball & Stem
- PTFE Seats
- ISO 5211 Mounting Pad for Easy Actuation
- Adjustable stem packing
- Full Port through 6"
- NSF/ANSI 61-G Water Quality
- NSF/ANSI 372 Lead Free
- 200 CWP/125 SWP
- Vacuum Service to 29" Hg

LF Model Number	Size (in.)	Dimensions (in.)				Wt.
		A	B	C	D	
6PLF-208-01	2	7.00	6.00	12.20	6.50	22.70
6PLF-209-01	2-1/2	7.50	7.00	13.78	7.42	36.73
6PLF-200-01	3	8.00	7.50	13.78	8.17	46.63
6PLF-20A-01	4	9.00	9.00	15.75	9.00	71.83
6PLF-20C-01	6	10.50	11.00	30.00	11.32	111.99
6PLF-20E-01*	8	11.50	13.50	30.00	11.32	210.54
6PLF-20G-01*	10	13.00	16.00	33.00	13.05	294.10

\* Gear Operated

## Gas/Fuel Shut-Off Valves

### GB-10 SERIES

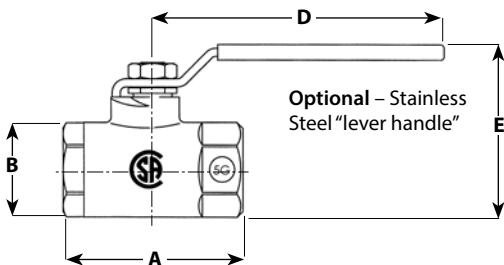
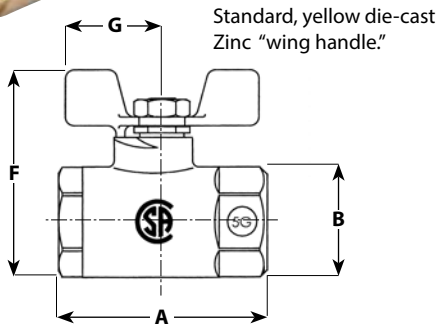


### CSA GAS SHUT-OFF VALVES

Manual shut-off valves engineered specifically for low pressure gas service. Canadian Standard Association design and capacity certified with American-made quality. High-copper content body, chrome-plated ball, and PTFE seats.

#### FEATURES

- Complies with ANSI Z21.15, CR91-002, and ASME 16.44
- Use with natural, manufactured, mixed and liquefied petroleum gases, LP gas-air mixtures
- Temperature range: 32°F - 125°F at pressures of 1/2 and 5 psig
- Standard die-cast zinc "wing" handle (-01), epoxy coated
- Lever (-L1) or tee handle (-T1) options
- Made in USA



Model Number	Size (in.)	Connection	BTU/ Hr*	Dimensions (in.)						
				A	B	C	D	E	F	G
51GB-201	3/8	3/8 NPT	318,700	2.04	1.06	0.38	3.85	2.24	2.20	0.81
51GB-301	1/2	1/2 NPT	623,750	2.24	1.18	0.50	3.85	2.30	2.24	0.81
51GB-401	3/4	3/4 NPT	1,265,000	2.97	1.55	0.69	4.75	2.85	2.90	1.00
51GB-501	1	1 NPT	2,037,500	3.33	1.81	0.88	4.75	3.10	3.15	1.00

\* Capacity based on a gas having a heating value of 1000 Btu/cubic feet and an S.G. of 0.64 at a P.D. of 1" W.C.