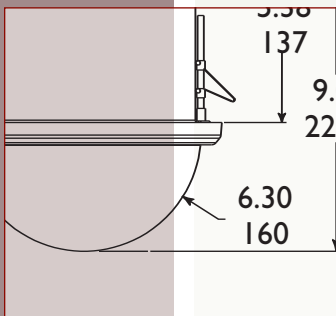
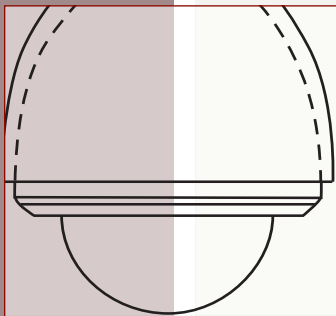
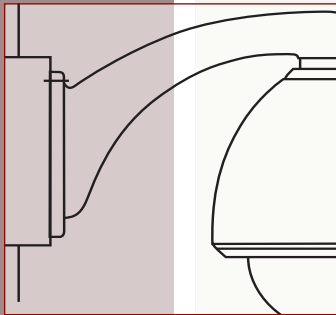




- **Integrated Fixed Camera/Lens Module**
- **Innovative 3-pivot Camera Adjustment System for a Full 180° of Movement**
- **Prewired for Quick and Easy Installation**
- **Variety of Camera and Lens Options Available including Day/Night**
- **Concealed Camera w/ Minimal f-stop Loss**

Fixed Dome Camera



IND6 Series

The Aigis IND6 Series features indoor recessed and indoor/outdoor pendant housings that include an integrated fixed camera/lens module. All versions are prewired to the top of the housing, making installation a breeze. Additionally, these units include a masked dome with a viewing window that conceals the camera/lens with minimal light reduction.

Choose from a variety of camera and lens options including day/night cameras that create hi-resolution color images during the day with high sensitivity B/W images at night. In the night mode, low light performance of 0.04 lux is achieved at f1.2/30IRE, ideal for 24 hour surveillance.

The IND6 indoor recessed can be easily mounted in both sheet rock and standard drop ceilings using a quick-latch mechanism. The backbox is constructed from durable aluminum with conduit access and accommodations for safety cables making it ideal for use in plenum ceiling applications.

The IND6 indoor/outdoor pendant mounted variations can be easily adapted to most environments and are available in several mounting options including pole and parapet mounts, corner, pipe and wall mounts.

ORDERING GUIDE

EXAMPLE: IND61RCH38N

category	power	mounting	color/day night	lens range	video out	option
IND6	I	R	CH	38	N	-
Integrated Dome 6-inch	0 - No Voltage*	R - Recessed	CH - Color High Res CS - Color Std Res DN - Day/Night	212 - 2.8-12mm lens	N - Network UTP F - Fiber	MI - Manual Iris W - Wall Mount (Pendant only)
	1 - 24V/50Hz	P - Pendant		38 - 3-8mm lens		
	2 - 24V/60Hz	PO - Outdoor Pendant		55 - 5-50mm lens		
				Day/Night 213 - 2.7-13.5mm lens		
				75 - 7.5-50mm lens		

No Camera Versions

category	power	mounting	option
IND6	I	R	-
Dome 6-inch	0 - No Voltage	R - Recessed	W - Wall Mount (Pendant only)
	1 - 24V/50Hz	P - Pendant	
	2 - 24V/60Hz	PO - Outdoor Pendant	

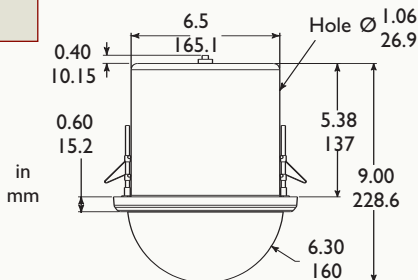
SPECIFICATIONS

MECHANICAL SPECIFICATIONS				
		recessed indoor	indoor pendant	outdoor pendant
Housing	Construction	Aluminum plenum housing, lightly tinted acrylic dome. The lower capsule has a silk-screened window with a clear viewing window.	Aluminum plenum housing and a polycarbonate dome bubble	Aluminum plenum housing and sunshield with a polycarbonate dome bubble
	Finish	Charcoal trim ring.	White	
	Weight	3.8 lb (1.7 kg)	5.5lbs (2.5kg) dome unit w/out mounting brackets	7.1lbs (3.2kg) dome unit w/out mounting brackets
Cable Entry		Flying leads w/Push Wire Connectors		
Mounting		Recessed Mount	Pendant, Corner, Parapet and Pole options available	
ENVIRONMENTAL				
		recessed indoor	indoor pendant	outdoor pendant
Temperature	Operating	14°F to 122°F (-10°C to 50°C)	32°F to 104°F (0°C to 40°C)	-40°F to 140°F (-40°C to 60°C)
	Storage	-4°F to 122°F (-20°C to 50°C)	-4°F to 140°F (-20°C to 60°C)	
Humidity		0% to 90% relative, non-condensing.	0% to 95% relative, non-condensing	
Enclosure Protection		IP66	IP66	IP66
Fan & Heater		N/A	N/A	Fan works continuously; heater auto starts
		recessed indoor	indoor pendant	outdoor pendant
Voltage Range	1	12-24 VAC or 12-36 VDC	50 Hz	24VAC ±10% (60Hz ± 1%) or 12VDC ±10%
	2	12-24 VAC or 12-36 VDC	60 Hz	

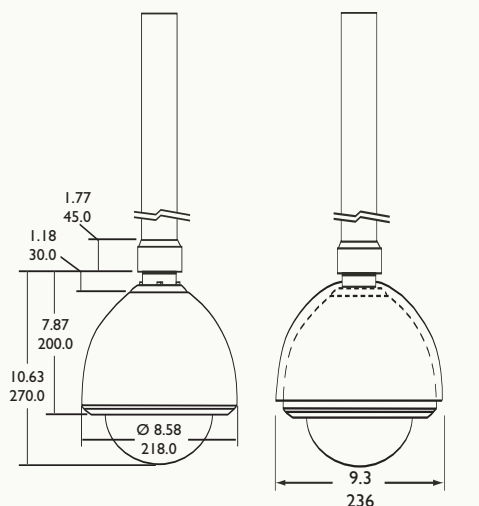
LENS SPECIFICATIONS				
OPTION	Focal Range	Iris Range	Iris/Shutter	Format
212	2.8-12mm	f/1.4 - 360	DC Auto Iris (MI - Manual Iris optional)	1/3-inch
38	3-8mm	f/1.0 - 360		
55	5-50mm	f/1.4 - 185		
213	2.7-13.5mm (5x)	f/1.3 - 360	DC Auto Iris	1/3-inch
75	7.5-50mm	f/1.3 - 360	DC Auto Iris	1/3-inch

CAMERA SPECIFICATIONS				
		color		day/night
OPTION		-CS	-CH	DN
Horizontal Resolution		330 TVL	480 TVL	480 TVL
Minimum Illumination		1.6 lux @ f/1.2/50 IRE		0.08 lux @ f1.2/50 IRE / 0.04lux @ f1.2/30 IRE
Imager		1/4-inch Image Format; Interline Transfer CCD		1/3-inch CCD Interline
System	1	PAL		N/A
	2	NTSC		NTSC
Signal to Noise		48dB		More than 50dB
Electronic Shutter		1/50 (1/60 EIA) to 1/100,000		1/60 Fixed or 1/60 - 1000,000 seconds linear
Backlight Compensation		Selectable On/Off Control		On/Off with highlight slicing
White Balance		Automatic Sensing through the Lens (TTL System): +2700 K to 9000 K.		Auto tracking white balance (ATW) built-in component of the DSP
Video Output		Composite; 1.0 Vp-p, 75ohm		Composite; 1.0 Vp-p, 75ohm
Synchronization	AC	Line-lock: (AC supplied)		Line Lock Internal (Manual Switch)
	DC	Crystal-lock: (DC supplied or Line-Lock off)		
Phase Adjust		0° to 330°		0° to 180°
Connector	Video	BNC		BNC
	Power	Screw Terminal		1 Power input: 2 Pin screwless terminal
Controls		Line lock on/off; ATW/AWB hold; BLC on/off		Phase Adjustment, BLC, Linelock on/off
Options	Video Out	N	Includes unshielded twisted pair transmitter compatible with NVT receivers. Permits video transmission of up to 1000 ft when passive receiver is used & 3000 ft when active receiver is used.	Includes unshielded twisted pair transmitter compatible with NVT receivers. Permits video transmission of up to 1000 ft when passive receiver is used & 3000 ft when active receiver is used.

IND6 RECESSED INDOOR DIMENSIONAL OUTLINE

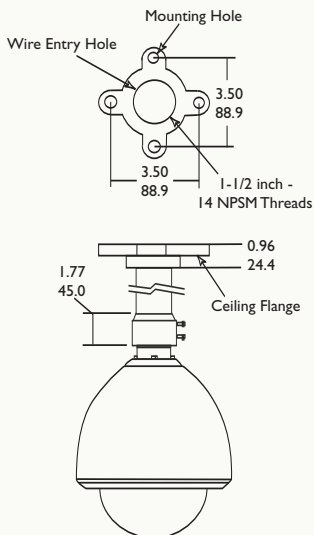


**IND6 SERIES PENDANT MOUNT
DIMENSIONAL OUTLINE**



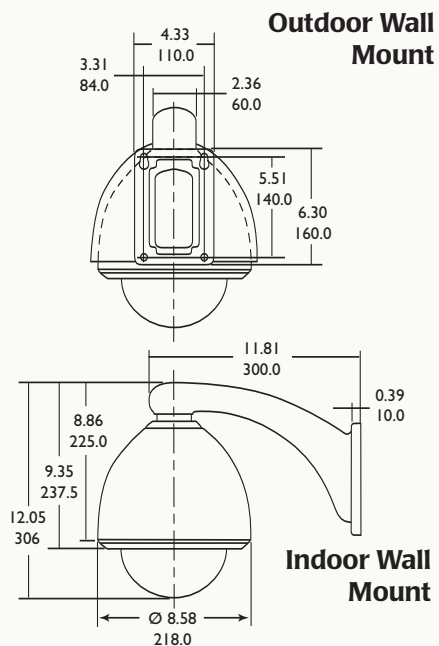
Indoor Pendant Outdoor Pendant

**IND6 SERIES PENDANT MOUNT
FLANGE MOUNTING OPTION**



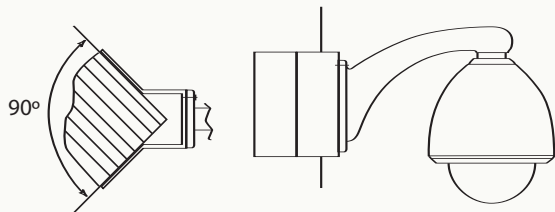
**MT-PTZP Pipe Mount Kit
w/ Flange**

**IND6 SERIES PENDANT WALL MOUNT
DIMENSIONAL OUTLINE**

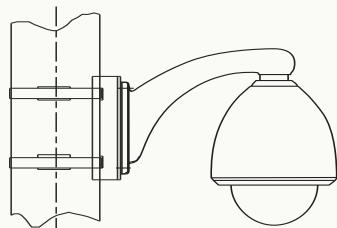


**Outdoor Wall Mount
Indoor Wall Mount**

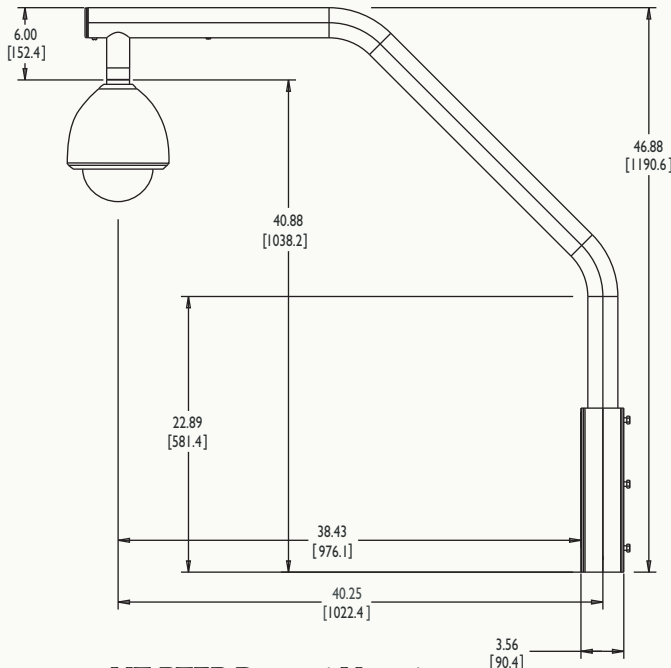
IND6 SERIES MOUNTING OPTIONS



MT-PTZC Corner Mount Adapter



MT-PTZL Pole Mount Adapter



MT-PTZR Parapet Mount

A C C E S S O R I E S

IND6MK: Mounting kit with support rails for suspended ceiling applications.



mechtronics

©2006 Aigis Mechtronics

1124 Louise Road, Winston-Salem, NC 27107-5450

Tel: 336.785.7740 Fax: 336.785.7744

www.aigismech.com

Data subject to change without notice

Prelim. Draft 02/07 rev_02

Printed in U.S.A.