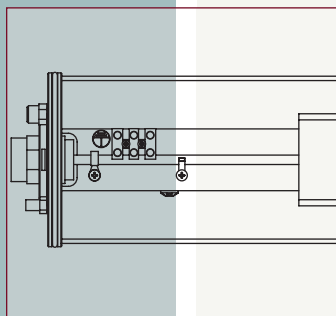
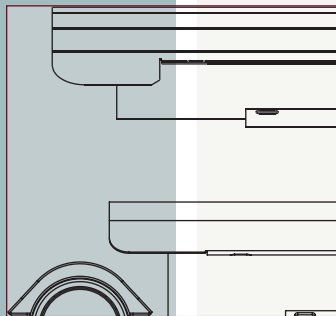
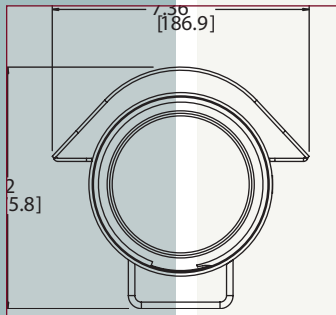




- For Large Camera and Lens Sizes
- Durable Aluminum Construction
- Housings Include Sunshield
- Built-in Window Heater/Defogger
- Pressurized Versions Available
- IP Wiring Option

Extra Large Outdoor Housings



HS9392 & HS9396 Series

The 5-inch diameter HS9392 Series and the 7.5-inch diameter HS9396 Series Housings are designed to enclose large zoom lenses and cameras. These durable housings are constructed of an extruded aluminum cover, a fabricated aluminum frame for mounting the camera and include an aluminum sunshield. The design allows the frame to be rotated within the housing cover once the unit is mounted in order to achieve the optimal viewing angle. The base of the housing can be mounted to a pan/tilt/zoom head, or can be attached to any of the Aigis Heavy Duty mounts.

Both series include a liquid-tight I6-pin connector that minimizes moisture entry into the housing. The housings come equipped with a heater designed to minimize fogging of the viewing window in high humidity areas, and to extend the minimum operating temperature in cold conditions. A pressurized version is available that further reduces the amount of moisture around the electronics, and an optional pressure sensor can warn of dropping pressure within the housing. The pressurized versions extend the ingress protection rating from IP-67 to IP-68. Other options include IP wiring, a tamper switch, and an On Screen Display.

SPECIFICATIONS

Model No.		Voltage (VAC)	Voltage Range	Housing Diameter	Pressurizeable	Preinstalled Accessories	Nominal Power
HS9392	-2HC	24	21.6 to 26.4	5-inch	No	Heater ^I and Sunshield	50W
	-5HC	230	207 to 253				
	-6HC	115	108 to 132				
	-2HP	24	21.6 to 26.4		Yes		
	-5HP	230	207 to 253				
	-6HP	115	108 to 132				
HS9396	-2HC	24	21.6 to 26.4	7.5-inch	No	Heater ^I and Sunshield	50W
	-5HC	230	207 to 253				
	-6HC	115	108 to 132				
	-2HP	24	21.6 to 26.4		Yes		
	-5HP	230	207 to 253				
	-6HP	115	108 to 132				

Notes:

^I **Heater-Defogger:** Thermostatically-Controlled heater-defogger requires 40 watts.

C Model numbers have a 16-pin corrosion resistant connector with mating connector and crimp pins supplied.

P Model numbers have fill and release valves and can be filled with dry Nitrogen. They also have a 16-pin corrosion resistant connector with mating connector and crimp pins supplied.

MECHANICAL

Maximum Camera/Lens Size:

HS9392 series accepts cameras/lens combinations up to 3.25" W x 3.0" H x 13" L (82.6mm W x 76.2mm H x 330.2mm L).

HS9396 series accepts cameras/lens combinations up to 5.5" W x 6.0" H x 17" L (139.7mm W x 152.4mm H x 431.8mm L).

Cable Entry:

One pre-wired, corrosion resistant, 16-pin shell sized 20 liquid-tight connector. Hardware kit includes the mating connector and crimp pins.

Window: 1/8-inch (3.2mm) strengthened glass, optical quality.

Viewing Area: **HS9392:** 3.81-inch diameter (96.8mm).

HS9396: 4.80-inch diameter (121.9mm).

Housing Mounting: Three 0.28-inch diameter (6.4mm) clearance holes in base.

Camera Mounting: Slotted internal rail assembly which may be rotated through 360°. All camera/lens mounting hardware is provided.

Construction: Extruded aluminum cover, fabricated aluminum frame, strengthened glass window.

Finish: Light gray powder coat.

Dimensions: See Dimensional Outlines.

Weight:

HS9392 - Housing 20.6 lbs (9.3 kg) Sunshield 3.2 lbs (1.5 kg)

HS9396 - Housing 20.6 lbs (9.3 kg) Sunshield 4.0 lbs (1.8 kg)

OPTIONS & ACCESSORIES

Sunshield: Included with the **HS9392** and the **HS9396 Series** housings. Sunshields provide protection from the direct rays of the sun and promote cooling to reduce the internal housing temperature.

***Tamper Switch:** Adds a pre-installed tamper switch that is activated when the cover is removed from the housing. Max operating voltage = 250VAC or 28VDC / 5 amp.

***Pressure Switch:** Adds a pre-installed pressure alarm to the pressurized housing series that sends a signal if the internal pressure drops below 2 ± 0.25 PSI

***OSD Board:** On-Screen-Display option includes an instrument readout overlaid on top of the video signal. Temperature and/or pressure conditions in the housing can be displayed.

***IP Wiring:** 16-pin connector set up to accept Cat-5/e/6 wiring.

Recommended Mounts - Other options available see the Heavy Duty Mount Datasheet.

MT9234 Wall Mount - Heavy duty 16-inch wall bracket with extra large adjustable head.

MT9235 Wall Mount - Heavy duty 22-inch wall bracket with extra large adjustable head.

*Contact the factory for part number and pricing.

ENVIRONMENTAL

ITSA Transportation Test: Designed to meet ITSA requirements

Salt Atmosphere: MIL-STD-810E, Method 509, Procedure I.

Enclosure Protection:

Unpressurized: Designed to NEMA-6, IP67

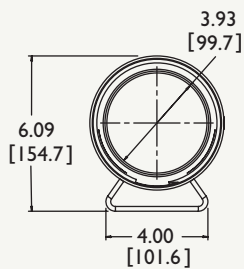
Pressurized: Designed to NEMA-6P, IP68

Safety:

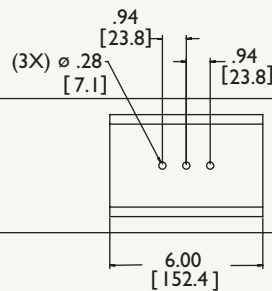
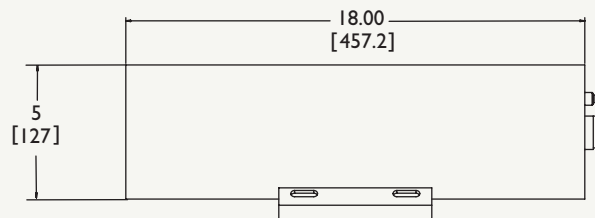
CE: Designed to comply with EN60065 UL/cUL: Designed to comply with CCTV Appliance Code UL2044

DIMENSIONAL OUTLINE

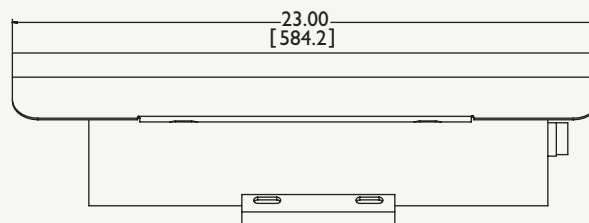
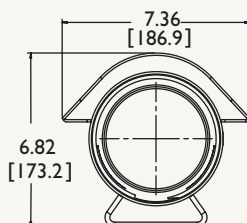
HS9392 (5" DIAMETER HOUSING)



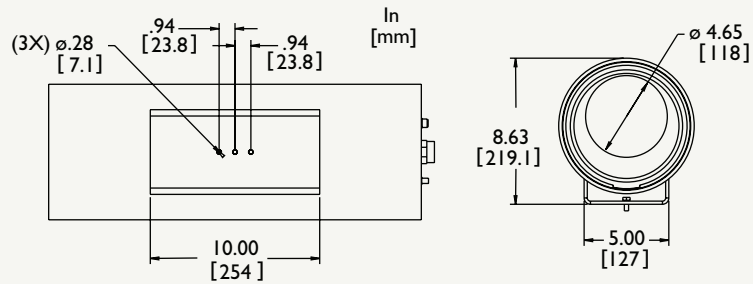
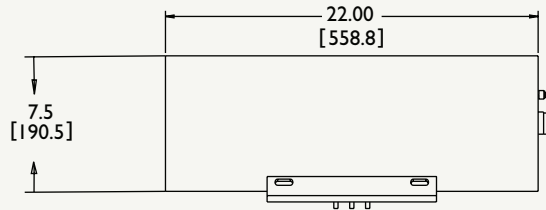
in
[mm]



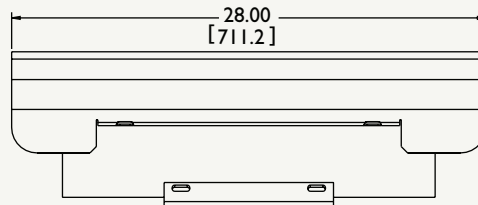
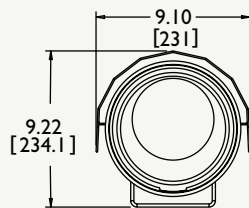
With Sunshield



DIMENSIONAL OUTLINE
HS9396 (7.5" DIAMETER HOUSING)



HS9396 shown here
 with Sunshield



1950 Camino Vida Roble, Suite 150
 Carlsbad, CA 92008
 Tel: 760.438.7000 800.421.1587
 www.aigismech.com • www.linearcorp.com