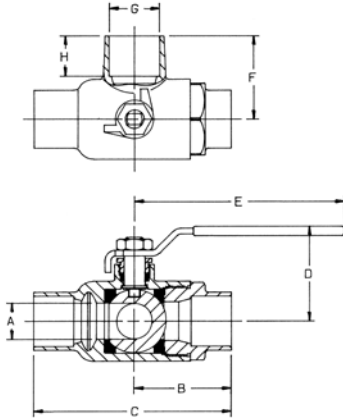


COMMERCIAL PRODUCTS CATALOG

Diverter Valves

70-900 SERIES



3-WAY DIVERTER VALVE WITH SOLDER ENDS

Tank selection and fluid transfers are easier because of large port diameters. The valve is 100 percent air tested under water. Designed to be soft soldered without disassembly.

FEATURES

- Simple quarter-turn operation
- ASTM B584 Bronze
- 400 psig CWP, non-shock
- Blowout-proof stem
- Adjustable packing

Model Number	Size (in.)	Dimensions (in.)							
		A	B	C	D	E	F	G	H
70-903-01	1/2	0.50	1.44	2.87	1.75	3.87	1.34	0.628	0.50
70-904-01	3/4	0.68	1.94	3.87	2.12	4.87	1.69	0.878	0.90
70-905-01	1	0.81	2.19	4.42	2.25	4.87	1.87	1.129	0.90