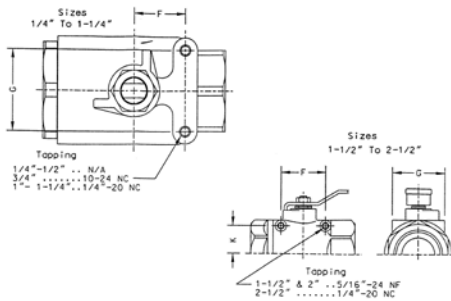
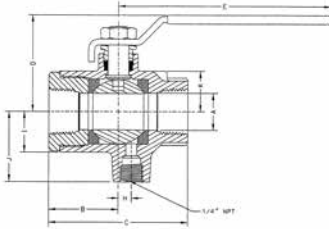


BALL VALVES

Air Exhaust Valves

7K-100 SERIES



FULL PORT SAFETY EXHAUST VALVE WITH 1/4" NPT TAP FOR DRAIN

For use on pneumatic equipment. Furnished with a 1/4" NPT tapped drain to accommodate a muffler or to pipe the exhausted air to a safe location.

FEATURES

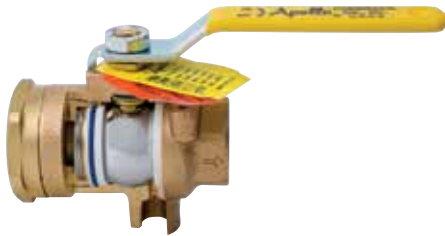
- Safely vents compressed air (or other non-hazardous gases) from piping downstream of the closed valve
- Sizes 1/4" - 2-1/2"
- FNPT threads
- Rated 125 psig-air or water, CWP, non-shock
- Temperature range: +50°F - +200°F
- Optional stainless steel latch lock handle that locks in closed position only, specify suffix (-46)

Model Number	Size (in.)	Dimensions (in.)										
		A	B	C	D	E	F	G	H	I	J	K
7K-101-01	1/4	0.37	1.03	2.06	1.75	3.87	N/A	N/A	0.09	0.53	1.18	N/A
7K-102-01	3/8	0.37	1.03	2.06	1.75	3.87	N/A	N/A	0.09	0.53	1.18	N/A
7K-103-01	1/2	0.50	1.10	2.19	1.75	3.87	N/A	N/A	0.12	0.59	1.25	N/A
7K-104-01	3/4	0.81	1.56	3.12	2.12	4.78	0.87	1.37	0.29	0.90	1.56	0.90
7K-105-01	1	1.00	1.80	3.61	2.62	5.50	0.93	1.50	0.31	1.12	1.78	1.12
7K-106-01	1-1/4	1.25	2.12	4.25	2.87	5.50	0.93	1.50	0.37	1.37	2.03	1.37
7K-107-01	1-1/2	1.50	2.37	4.74	3.30	7.78	2.08	3.06	0.50	1.56	2.21	1.28
7K-108-01	2	2.00	2.70	5.38	3.71	7.78	2.41	3.52	0.62	2.03	2.68	1.56
7K-109-01	2-1/2	2.50	3.25	6.50	4.05	7.78	2.75	3.37	1.09	2.34	3.00	2.00

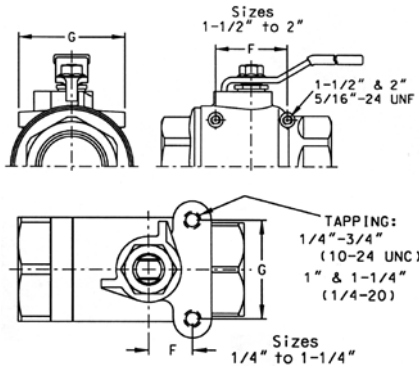
Also available in 70 & 77 Series as -41 option (without tapped drain)

Air Exhaust Valves

7K-SV SERIES



(7K-SV Series Shown)



SECURE-VENT FEATURE (-SV)

Available on the Apollo 77 and 7K full port bronze ball valves. Safely vents compressed air (or other non-hazardous gases) from piping downstream of the closed valve.

FEATURES

- Reliable shut-off and venting
- Pressure rating: 200 psig CWP, non-shock
- Temp. range: -20°F to 200°F
- Economical "no leakage" operation
- Belleville spring live-loaded active upstream seating
- Available with a full complement of handles

Model Number	Size (in.)	Dimensions (in.)						
		A	B	C	D	E	F	G
7K-101-SV	1/4	0.43	1.43	2.52	1.76	3.88	0.50	1.12
7K-102-SV	3/8	0.50	1.60	2.69	1.76	3.88	0.50	1.12
7K-103-SV	1/2	0.50	1.50	2.59	1.76	3.88	0.50	1.12
7K-104-SV	3/4	0.81	1.82	3.37	2.16	5.43	0.87	1.37
7K-105-SV	1	1.00	2.05	3.86	2.69	5.43	0.93	1.50
7K-106-SV	1 1/4	1.25	2.37	4.50	2.91	5.43	0.93	1.50
7K-107-SV	1 1/2	1.50	2.37	7.78	3.31	7.78	2.08	3.06
7K-108-SV	2	2.00	3.00	5.69	3.73	7.78	2.40	3.52