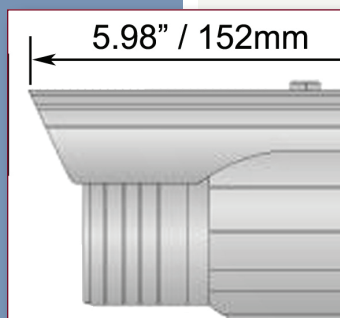
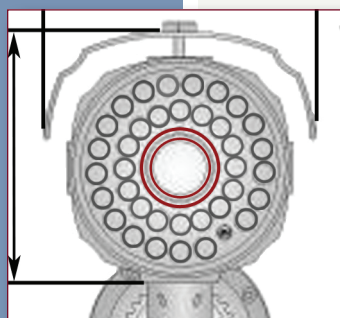
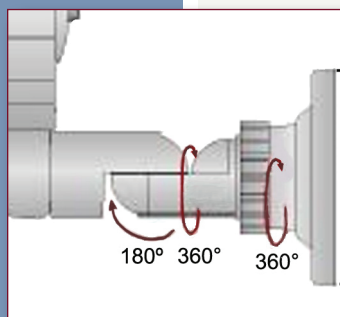




- 540 TVL Color Hi-Resolution Imager
- Outdoor Rated
- Fully Adjustable
- 3-Axis Mounting Bracket
- Dual Voltage  
12VDC/24VAC, 10W Max
- Split Glass Technology  
No IR Reflection

## DAY/NIGHT IR Camera



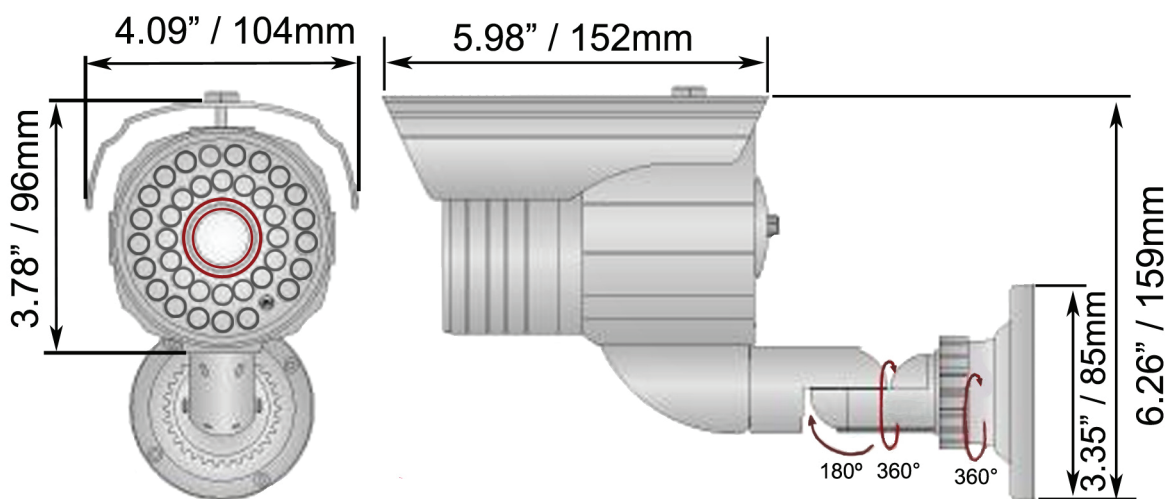
**MLTL2DN49IR**  
**MLTL2DN922IR**

The Aigis MLTL2DNxxIR Day/Night IR housings combine advanced day/night technology with high intensity IR illuminators. The 540 TVL Color Hi-Resolution imager is integrated with a 4-9mm or 9-22mm manual zoom lens that creates a sharp picture in low light conditions. Split glass technology prevents IR reflections and the auto-enabled IR illuminator activates when the surrounding area becomes darker providing clear images in less than ideal lighting situations. The outdoor rated aluminum construction housing and the fully adjustable 3-axis bracket provide an easy solution for applications that involve difficult viewing angles.

# SPECIFICATIONS

MLTL2DN49IR & MLTL2DN922IR	
Image Sensor	1/3"SONY/Sharp Color CCD
Horizontal Resolution	540 TV Line
Pixels	NTSC :510 (H) x 492 (V)
TV System	NTSC
IR LED	ø 8mm X 36PCS
IR Series Distance	90ft.
Sync System	Internal
IR Status	Under 10 Lux By CDS
Usable Illumination	0 Lux/F2.0 (LED ON)
IR Power On	CDS Auto Control
S/N Ratio	≥48dB (AGC OFF)
Gamma Correction	0.45
Video Out	Composite Signal (1.0Vp-p, 75Ω)
Elec. Shutter Time	Auto: NTSC 1/60-1/100,000Sec
Operation Temp.	+14°F ~ +122°F (-10°C~ +50°C) RH95% Max
Storage Temp.	-4°F ~ + 140°F (-20°C~ +60°C) RH95% Max
Water Resistance	IP 66 Rating
White Balance	Auto
Power Source	12VDC/24VAC, 10W Max
Dimensions Inches / mm	6.26"(W) x 3.98"(H) x 3.74"(D) / 159mm(W) x101mm(H) x 95mm(D)
Weight	2.3lb (1.04 kg)

## MLT2DN49IR & MLTL2DN922IR - DIMENSIONAL DRAWING



Now Part of **Linear**  
Building On Innovation.

1950 Camino Vida Roble, Suite 150  
Carlsbad, CA 92008

Tel: 760.438.7000 800.421.1587

www.aigismech.com • www.linearcorp.com