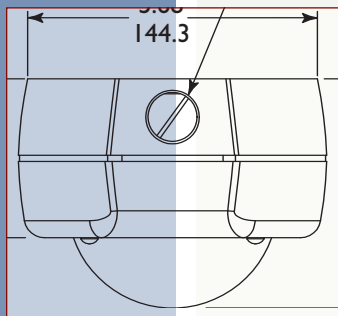
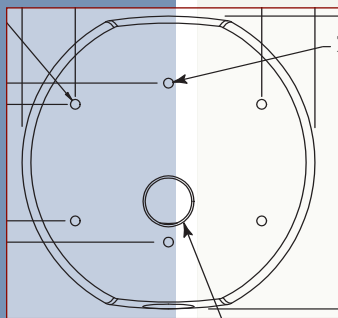
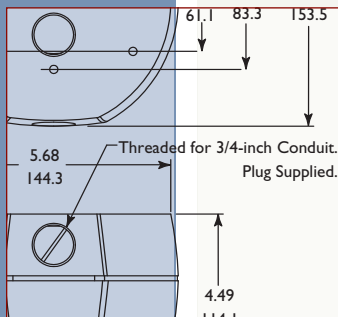




- Day/Night Camera in a Cast Aluminum Alloy Housing and a 3.9-inch Polycarbonate Dome
- Day/Night Function w/IR cut filter removal mechanism
- Endures the Equivalent of 120 lbs of Force
- 3.0 - 9.0mm vari-focal integrated lens
- Indoor and Outdoor Applications
- High Resolution
- Line-lock with Phase Adjustment

DAY/NIGHT Vandal Resistant Dome



MLA2DN39

The Aigis MLA2DN39 Day/Night VariDome provides a sharp, clear picture in both lighted and dark viewing conditions. During the day a high resolution color picture is produced, at night the IR cut filter is automatically removed creating a highly sensitive, clear picture in dark conditions.

Along with the 1/4-inch day/night camera, this unit comes with an integrated 3.0 - 9.0mm vari-focal DC Auto-Iris lens and is prewired for quick installation. Its cast aluminum housing and polycarbonate dome allow it to withstand 120 lbs. of force. It can also be mounted directly onto a single gang electrical box and wired through the back or via a standard 3/4-inch conduit opening found on the side of the housing.

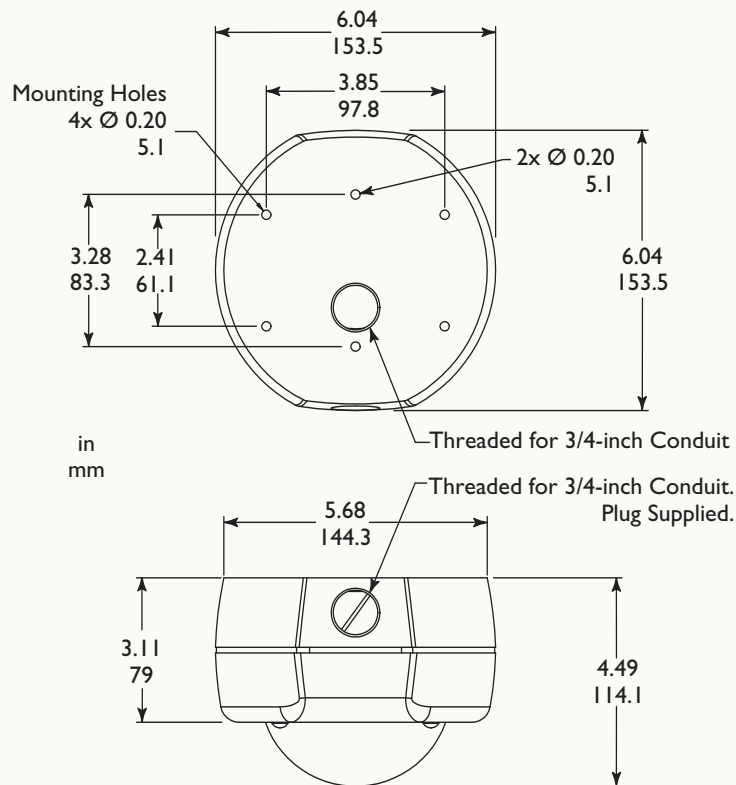
SPECIFICATIONS

CAMERA SPECIFICATIONS		
MLA2DN39		
OPTIONS		
Resolution		Horizontal: 480 TVL
Voltage Range		24 VAC or 12 VDC, 60 Hz
Power Consumption		1.2W
Sensitivity minimum scene illumination f/1.4 lens, 50 IRE		0.07lx (b/w mode)
Imager		1/4-inch Image Format; Interline Transfer CCD
Scanning System		NTSC
Signal to Noise		> 50dB
Electronic Shutter		1/60 sec. Fixed (Flickerless; Off) / 1/100 sec. Fixed (Flickerless: ON)
Lens		focal length 3.0 - 9.0mm
Iris		f1.4-360 (DC auto iris)
Backlight Compensation		Selectable On (two mode) / Off Control: 1) center weighted metering, 2) multi spot metering
White Balance		ATW
Video Output		1.0 Vp-p, 75 ohm
Synchronizing System		2:1 Interlace
Phase Adjust		0° to 180°
Connector	Video	BNC
	Power	In-line push wire connectors
Angle of view	H	66.3° 23.9°
	V	49.1° 17.9°
Controls		Iris, Flickerless, Backlight Compensation, Synchronization Mode
Options	-N	Includes unshielded twisted pair transmitter compatible with NVT receivers. Permits video transmission of up to 750 ft when passive receiver is used & 3000 ft when active receiver is used.

MECHANICAL SPECIFICATIONS

Housing	Construction		Polycarbonate dome (with light tint) on custom cast aluminum housing.
	Finish		Standard: Powder coated white finish. Custom finishes available.
		-SS	
Weight			Unit Weight - 3.3 lbs (1.5kg) / Packaged Weight - 4.2 lbs
Cable Entry			3/4-inch conduit knockout through side or back
Mounting	Surface Mount		Mounts on wall or ceiling using up to four #10 screws.
ENVIRONMENTAL			
Operating Temperature			-4 °F to +122 °F (-20 °C to +50 °C)
Humidity			0% to 90% relative, noncondensing.
Protection Level			IP 65.
ELECTROMAGNETIC COMPATIBILITY			
Electromagnetic Compatibility	EMC		FCC Class A.
	Safety		UL, cUL

MLA SERIES - DIMENSIONAL DRAWING

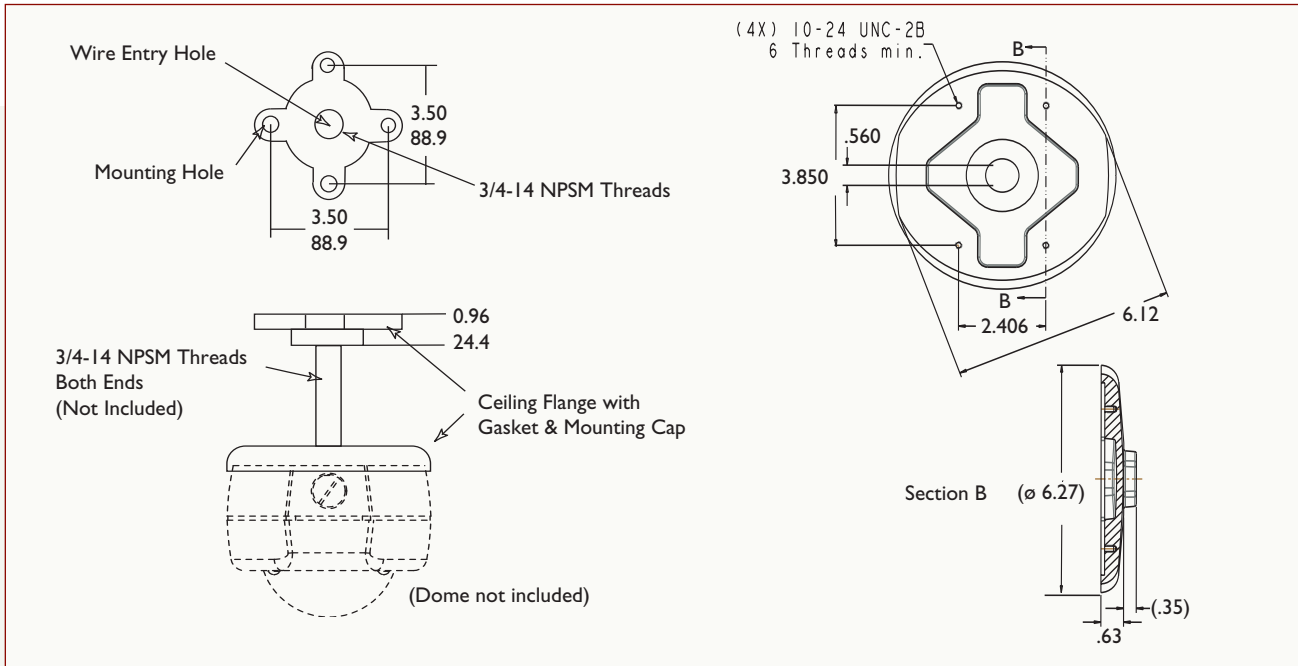


ACCESSORIES

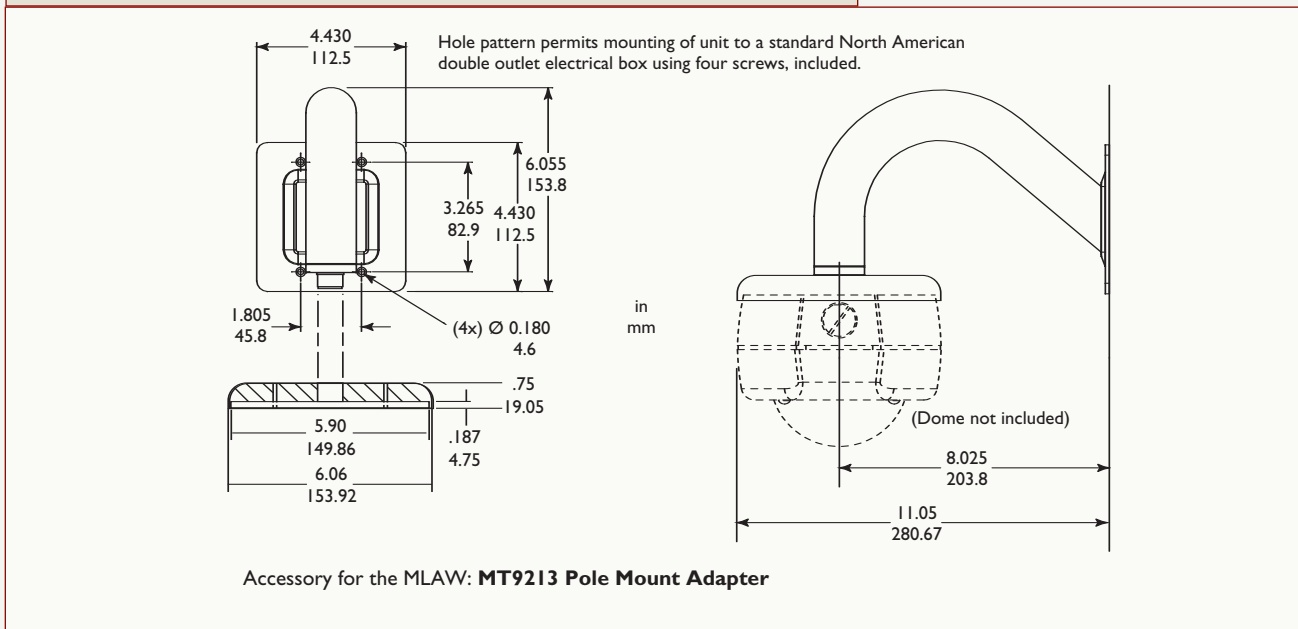
Standard color is white. Stainless steel finish and custom colors available.

Mounting Kits for MLA Series	MLAP	Pipe mounting kit. Includes ceiling flange, gasket and mounting cap with screws.
	MLAW	Wall mounting kit. Includes pendant wall mount, screws and mounting cap with screws.

MLAP - MLA PIPE MOUNT ACCESSORY



MLAW - MLA WALL MOUNT ACCESSORY



mechtronics
 ©2004 Aigis Mechtronics
 1124 Louise Road, Winston-Salem, NC 27107-5450
 Tel: 336.785.7740 Fax: 336.785.7744
 www.aigismech.com
 Data subject to change without notice