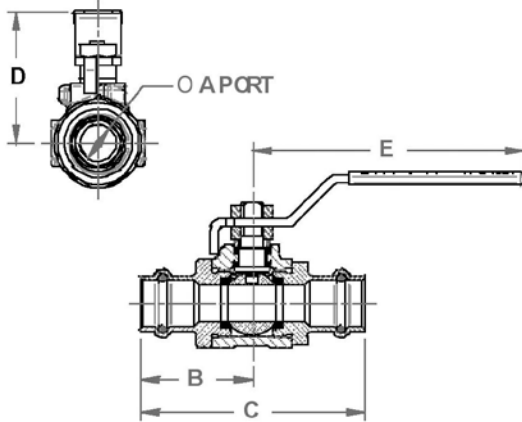


# BALL VALVES

## APOLLOXPRESS® Ball Valves

### 77W SERIES



### APOLLOXPRESS® BRONZE FULL PORT BALL VALVES

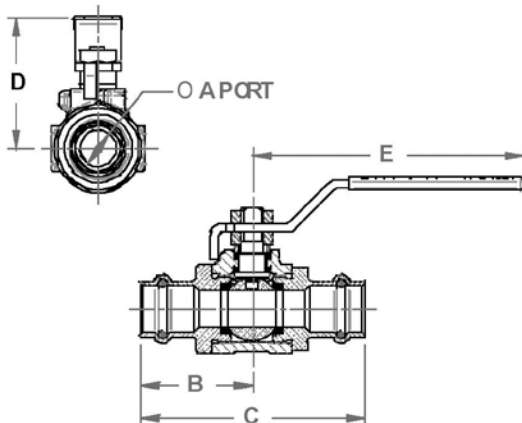
Apollo 77W Series APOLLOXPRESS® ball valves install in seconds, but the valve and the connection are made to last. Ideal for mechanical and heating systems. Not for use with natural gas.

#### FEATURES

- Full port
- Ridgid® "XL" Press Tool compatible
- Leak Before Press® technology
- 250 CWP, non-shock to 250°F max.
- MSS SP-110 ball valves
- Adjustable stem packing
- Excellent for hydronic heating (90% glycol max)
- Compatible with most 77C Series options
- Made in the USA
- **Lead Free** option (77WLF)

Model Number	Size (in.)	Dimensions (in.)					Wt.
		A	B	C	D	E	
77W-103-01	1/2	0.50	1.54	3.08	1.50	3.74	0.6
77W-104-01	3/4	0.75	1.78	3.55	2.01	4.78	1.1
77W-105-01	1	1.00	1.93	3.86	2.20	4.78	1.8
77W-106-01	1-1/4	1.25	2.44	4.87	3.13	7.04	4.3
77W-107-01	1-1/2	1.50	2.91	5.81	3.10	7.04	4.6
77W-108-01	2	2.00	3.74	7.47	3.48	7.04	8.2

### 77WLF SERIES



### APOLLOXPRESS® LEAD FREE BRONZE FULL PORT BALL VALVES

Apollo 77WLF Series APOLLOXPRESS® ball valves install in seconds, but the valve and the connection are made to last. Ideal for most plumbing and heating systems including potable water. Not for use with natural gas.

#### FEATURES

- Full port
- Ridgid® "XL" Press Tool compatible
- Leak Before Press® technology
- 250 CWP, non-shock to 250°F max.
- MSS SP-110 ball valves
- NSF/ANSI 61-8 (2010) compliant
- NSF/ANSI 372 Lead Free
- Adjustable stem packing
- Excellent for hydronic heating (90% glycol max)
- Compatible with most 77C Series options
- **Made in the USA**

LF Model Number	Size (in.)	Dimensions (in.)					Wt.
		A	B	C	D	E	
77WLF-103-01	1/2	0.50	1.54	3.08	1.50	3.74	0.6
77WLF-104-01	3/4	0.75	1.78	3.55	2.01	4.78	1.1
77WLF-105-01	1	1.00	1.93	3.86	2.20	4.78	1.8
77WLF-106-01	1-1/4	1.25	2.44	4.87	3.13	7.04	4.3
77WLF-107-01	1-1/2	1.50	2.91	5.81	3.10	7.04	4.6
77WLF-108-01	2	2.00	3.74	7.47	3.48	7.04	8.2