

EcoWash EWS-25

25-lb Capacity Rigid Mount/100 G-Force COIN Washer/Extractor

Features and Benefits:

- Coin or Card Ready
- Inverter Driven Motor
- Heavy-Duty Structural Tube Construction
- Stainless Steel Cabinet
- Easy to Program and Easy to Use Controls
- Load Imbalance Detection Before Spinning
- Large, Convenient Supply Dispenser
- Flexible Water Level Settings
- Ergonomic, Easy-Grip Door Handle
- 10 Year Manufacturer's Warranty*

Why Purchase ADC EcoWash?



EWS-25 COIN Washer/Extractor

Rugged Structural Tube Construction

EcoWash rapid spin washer/extractors are constructed with a structural tube design frame in combination with a heavy-duty cast aluminum counter weight to provide superior strength and maximum stability throughout the wash cycle.

Durable Door Safety Lock and Handle

The durable ergonomic design of the door handle combined with our Easy Lock™ door lock provides maximum convenience and safety.

Large, Convenient Supply Dispenser

Easy to use, this large supply dispenser allows you to conveniently load your detergent, bleach and fabric softeners before starting your wash cycle.

10 Year Manufacturer's Warranty

ADC's EcoWash machines carry a 10 year manufacturer's warranty assuring you've invested in superior performance, quality, durability and reliability.

Your local ADC independent authorized distributor



*10 year warranty limited to frame, tub, cylinder and cylinder's shaft, seals, bearings and bearing housing.

EcoWash EWS-25

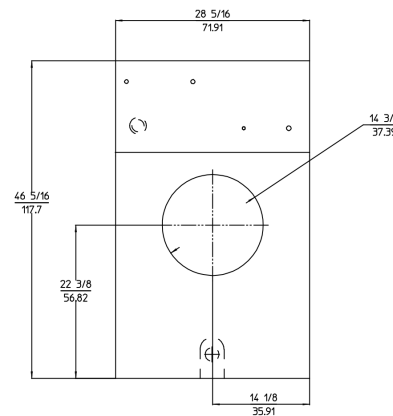
100 G-Force Standard Spin Washer-Extractor	
Features	EWS-25
DRUM	
Load Capacity (lb/kg)	25 / 11.34
Drum Volume (cu. ft./liter)	3.53 / 100
Drum Diameter (in/cm)	24-3/8 / 61.97
Drum Depth (in/cm)	13 / 33.0
DIMENSIONS	
Width (in/cm)	28-5/16 / 71.88
Depth (in/cm)	29-1/16 / 73.78
Height (in/cm)	46-5/16 / 117.70
Weight (lb/Kg)	478 / 217
DIMENSIONS WITH PACKAGING	
Crated Width (in/cm)	29-15/16 / 76
Crated Depth (in/cm)	39-3/4 / 101
Crated Height (in/cm)	55-1/2 / 141
Crated Weight (lb/Kg)	495 / 225
DOOR	
Height to Bottom of Door (in/cm)	22-3/8 / 56.79
Door Opening Diameter (in/cm)	14-3/4 / 37.47
POWER	
Motor	0.75 kW
Heating (Electric Heated Model)	6 kW
Maximum Power (Electric Version)	6.25 kW
CONNECTIONS	
Water Inlet (in/cm)	3/4 / 1.91
Drain (in/cm)	3 / 7.62
CYLINDER SPEED	
Washing speed (r.p.m.)	53
Spinning speed (r.p.m.)	538
G-Force	100
FLOOR LOADING	
Static Floor Load	478 lb / 2,17 kN
Dynamic Floor Load	66 lb / 0,3 kN
Maximum Vertical Load	538 lb / 2,47 kN
Dynamic Load Frequency (Hz)	9
G Factor	100
OPTION HEAT SOURCES	
Steam Inlet (in/cm)	1/2 / 1.27
Electric	6 kW



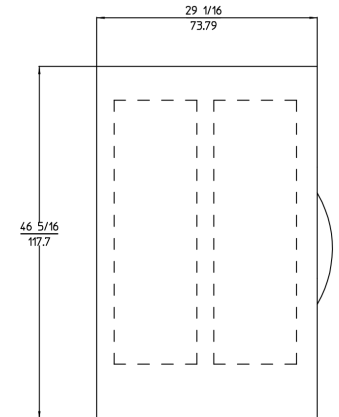
Intuitive Micro Controls (IMC®) That Makes Washing Easy For You and Your Customers

Intuitive Micro Controls (IMC®) is our programmable microprocessor that is customizable, easy to program and easy to use. You can simplify existing programs; modify or delete the temperature and times of each phase of the cycle, as well as modify water levels to achieve maximum savings in your Laundromat. Multi vend pricing capability also enables you to maximize your Laundromat's revenue.

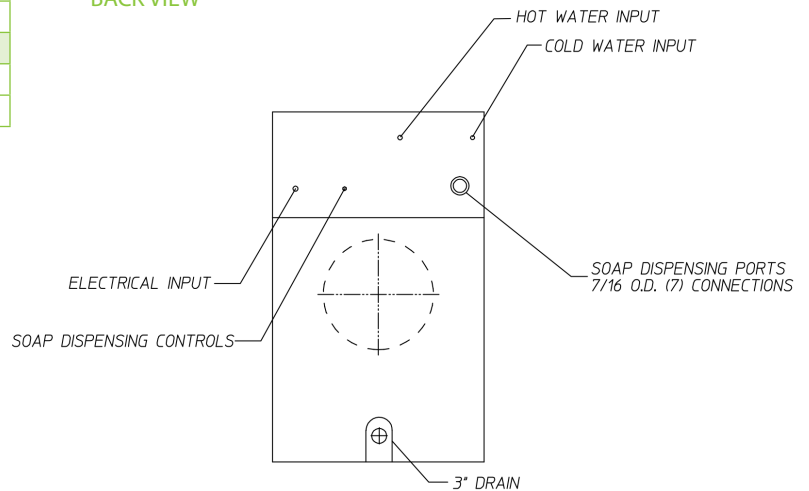
FRONT VIEW



SIDE VIEW



BACK VIEW



P/N 451049 REV 06/26/14

88 Currant Road Fall River, MA 02720-4781 • 508.678.9000 • Fax: 508.678.9447 • Email: sales@amdry.com

* Specifications are subject to change without notice or obligation. Contact ADC for dimensions not shown or for clarification.

www.adlaundry.com