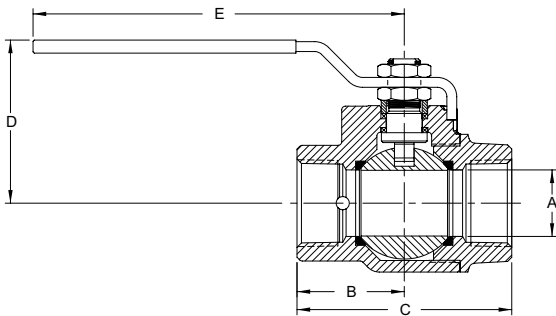
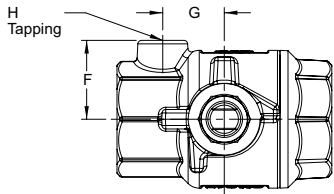


BALL VALVES

Two-Piece – Full Port Ball Valves

77B-100 SERIES



FULL PORT NPT VALVE WITH SIDE TAP

Design features lever handle and side tapping; can be used as a drain feature or with 1/8" and 1/4" test cocks, sensing lines, or pressure gauges. Offers extended service life with its ASTM B584 Bronze body, RPTFE packing and PTFE seats.

FEATURES

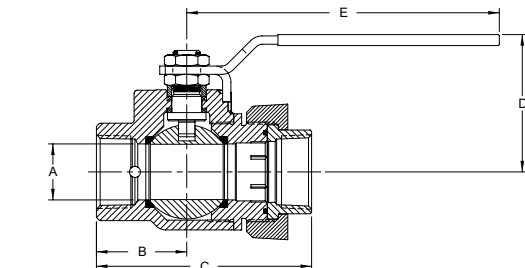
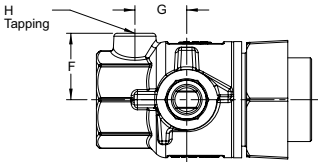
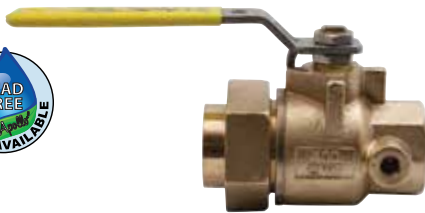
- Rated 400 psig CWP, non-shock
- Adjustable packing
- Blowout-proof stem design
- 125 psig SWP steam rating
- **Lead Free** option (77BLF)

OPTIONS

- All 77 levers
- SS Tee handle (-83)

Model Number	LF Model Number	Size (in.)	Dimensions (in.)							
			A	B	C	D	E	F	G	H
77B-103-01	77BLF-103-01	1/2"	0.50	1.29	2.44	1.79	3.74	0.85	0.70	1/8 NPT
77B-104-01	77BLF-104-01	3/4"	0.75	1.48	2.81	2.00	4.75	1.00	0.80	1/8 NPT
77B-105-01	77BLF-105-01	1"	1.00	1.66	3.20	2.19	4.78	1.15	0.88	1/8 NPT
77B-106-01	77BLF-106-01	1-1/4"	1.25	2.04	4.08	3.10	7.06	1.50	1.17	1/4 NPT
77B-107-01	77BLF-107-01	1-1/2"	1.50	2.12	4.23	3.09	7.06	1.60	1.38	1/4 NPT
77B-108-01	77BLF-108-01	2"	2.00	2.42	4.85	3.45	7.08	2.00	1.56	1/4 NPT

77B-300 SERIES



FULL PORT SINGLE UNION END VALVE WITH SIDE TAP

Valves offer union ends to make pipeline disassembly easier. Design features lever handle and side tapping; can be used as a drain feature or with 1/8" and 1/4" test cocks, sensing lines, or pressure gauges. Rated 400 psig CWP, non-shock, and is equipped with a rugged chromium-plated ball.

FEATURES

- Blowout-proof stem design
- PTFE seats
- Full flow, minimum pressure drop
- Boss not drilled and tapped option (-31)
- **Lead Free** option (77BLF)

OPTIONS

- All 77 levers
- SS Tee handle (-83)

Model Number	LF Model Number	Size (in.)	Dimensions (in.)							
			A	B	C	D	E	F	G	H
77B-303-01	77BLF-303-01	1/2"	0.50	1.29	3.05	1.44	2.50*	0.85	0.70	1/8 NPT
77B-304-01	77BLF-304-01	3/4"	0.75	1.48	3.58	1.77	4.00*	1.00	0.80	1/8 NPT
77B-305-01	77BLF-305-01	1"	1.00	1.66	3.94	1.96	4.00*	1.15	0.88	1/8 NPT
77B-306-01	77BLF-306-01	1-1/4"	1.25	2.04	4.86	3.10	7.03	1.50	1.17	1/4 NPT
77B-307-01	77BLF-307-01	1-1/2"	1.50	2.12	5.35	3.09	7.09	1.60	1.38	1/4 NPT
77B-308-01	77BLF-308-01	2"	2.00	2.42	5.91	3.45	7.08	2.00	1.56	1/4 NPT

* Tee Handles



For additional information, submittal sheets and manuals, visit www.apollovalves.com

Customer Service (704) 841-6000