



Contamination Control Dryers

HEPA/ULPA*

Filter Application

- Steam-Operated (Steel Coil)
- Electric-Operated Units Available
- Electropolished Stainless Steel Basket
- Stainless Steel Basket Support Assembly
 - Stainless Steel Front
 - Stainless Steel Base
- Stainless Steel Outer Drum
- Stainless Steel Filter Housing
 - Emergency Stop
 - Microprocessor Controls
- 3-Phase Motor with Reversing Basket
- Static Prevention System
 - Nylon Bar Spacers
 - Special Seals
- Automatic Door Interlock
- Side Access Cleaning Panel
- Hi-Temp/Hi-Pressure Monitors



**High Efficiency Particle Accumulator
Ultra High Efficiency Particl Accumulator*

88 Currant Road Fall River, MA 02720-4781 • 508.678.9000 • Fax: 508.678.9447 • Email: sales@amdrycom

ADH-120/ADH-170

Specs	ADH-120		ADH-170		
Maximum Capacity (dry weight)	120 lb	54.4 kg	170 lb	77.1 kg	
Basket Diameter	44 1/2"	113 cm	51 1/2"	130.8 cm	
Basket Depth	42 1/2"	107.9 cm	42 1/2"	107.9	
Basket Volume	38.2 cu ft	1081.704 L	42 1/2"	1449.923 L	
Fan Motor	3 hp	2.238 kw	7 1/2 hp	5.6 kw	
Basket Motor	3/4 hp	.560 kw	1 hp	.746 kw	
Airflow	Electric Steam	2,150 cfm 1,950 cfm	60.1 cmm 55.2 cmm	3,700 cfm 4,400 cfm	104.8 cmm 124.6 cmm
Approximate Shipping Weight	1,915 lb	868.6 kg	2,220 lb	1,006.975 kg	
Steam Consumption	450 lb/hr	204.11 kg/hr	725 lb/hr	328.85 kg/hr	
Boiler HP Normal Load (Steam)	13		19		

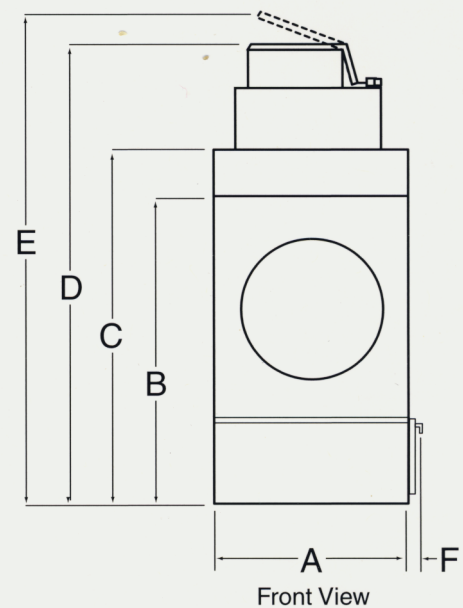
	ADH-120		ADH-170	
A	48 5/8"	123.5 cm	55 1/4"	140.34 cm
B	Electric Steam	69 1/2" 68 1/2"	176.5 cm 174 cm	80 7/8" 205.42 cm
C	Electric Steam	87" 86 5/8"	221 cm 220 cm	N/A
D	Electric Steam	N/A	122.5"	311.15 cm
E	Electric Steam	129 3/4" 118"	329.565 cm 299.72 cm	131 3/8" 333.7 cm
F		3"	7.6 cm	2 7/8" 7.3 cm
G	Electric Steam	16"	40.6 cm	18" 45.72 cm
H		8 3/4"	868.6 kg	2,220 lb 1,006.975 kg
I		8 3/4"	204.11 kg/hr	725 lb/hr 328.85 kg/hr
J		21 1/2"	54.61 cm	21 1/2" 54.61 cm
K		62 1/2"	158.75 cm	62 1/4" 158.115 cm
L		100 3/4"	255.905 cm	100 7/8" 256.2225 cm
Steam*** Supply Conn.	(2) 1" F.P.T.		1 1/2" F.P.T.	
Steam*** Return Conn.	(2) 1/2" F.P.T.		1 1/2" F.P.T.	

Specifications subject to change without notice.

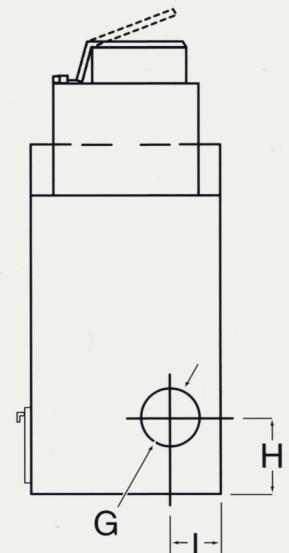
* Allow approximately 10" (25.4 cm) for damper to open. Due to various applications, dimensions on height may vary from above figures.

** Ductwork size varies with installation conditions

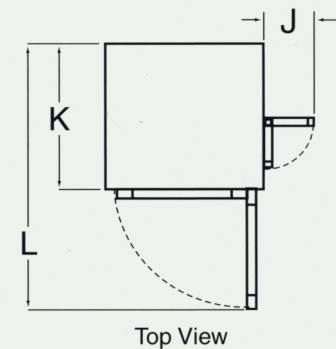
*** Size of piping to dryer varies with installation conditions. Contact factory for assistance.



Front View



Rear View



Top View



451064 Rev. 8-9-13

88 Currant Road Fall River, MA 02720-4781 • 508.678.9000 • Fax: 508.678.9447 • Email: sales@amdry.com

www.adclaundry.com