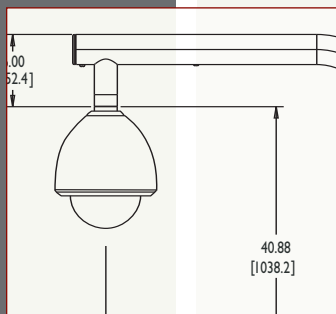
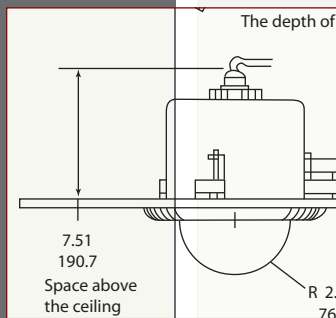
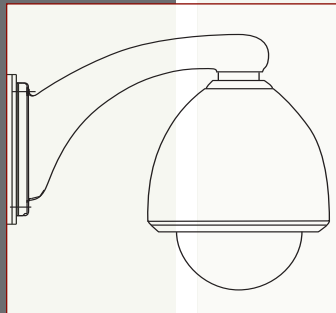




- Color and Day/Night Modules
- Supports Most Major Codes & Protocols
- Quick Connect PTZ Module for Fast Installation
- 22x & 23x Optical Cameras w/up to 12x Digital Zoom
- 220 Presets and 4 Preset Tours, 4 Pattern Tours, and 4 AutoPan Setups
- 8 Zone Privacy Masking
- Built-in Alarm - 7 inputs, 2 outputs
- IP66 Outdoor Dome

## Pan / Tilt / Zoom Camera



## PTZ-A Series

The Aigis PTZ-A series high speed pan/tilt/zoom camera combines high quality imaging with smooth, reliable operation. Aigis offers a variety of camera options including an economical color camera ideal for indoor applications, a full-featured color camera and, for enhanced nighttime sensitivity, a day/night model that electronically removes the IR cut filter when switching to monochrome mode.

With its multiple control boards and field selectable protocol options, the PTZ-A is compatible with most industry control and switching systems. Other features offered include 220 presets, cruise tours, pattern tours, multiple alarm input and outputs and privacy masking. Additionally, The PTZ-A series offers a variety of quality mounting options designed to work in a wide range of applications.

As with all of our products, Aigis will customize and configure your unit as required. With Aigis there is never a reason to Limit Your Options!

# ORDERING GUIDES

Order the camera that meets your needs. Start with the product category, then specify your camera requirements. Select from the options available to complete your custom unit. If you need further customization - call the factory with your exact specification requirements.

## IN-CEILING - EXAMPLE: PTZ-AFN0R

model	camera	format	environment	protocol board	mount option
<b>PTZ-A</b>	<b>F</b>	<b>N</b>	<b>0</b>	<b>R</b>	<b>-</b>
<b>Aigis Pan/Tilt/Zoom Indoor In-Ceiling</b>	<b>S</b> - 22X color <b>F</b> - 22X color/masking <b>D</b> - 23X day/night	<b>N</b> - NTSC 24V/50Hz <b>P</b> - PAL 24V/50Hz	<b>0</b> - In-Ceiling, Clear	<b>R</b> - RS485 <b>M</b> - Manchester <b>P</b> - Bi-Phase <b>C</b> - Coaxitron <b>S</b> - Sensornet	<b>N/A</b>

## INDOOR PENDANT - EXAMPLE: PTZ-AFN1RP

model	camera	format	environment	protocol board	mount option
<b>PTZ-A</b>	<b>F</b>	<b>N</b>	<b>I</b>	<b>R</b>	<b>P</b>
<b>Aigis Pan/Tilt/Zoom Indoor Pendant</b>	<b>S</b> - 22X color <b>F</b> - 22X color/masking <b>D</b> - 23X day/night	<b>N</b> - NTSC 24V/50Hz <b>P</b> - PAL 24V/50Hz	<b>I</b> - Pendant, Indoor, Clear	<b>R</b> - RS485 <b>M</b> - Manchester <b>P</b> - Bi-Phase <b>C</b> - Coaxitron <b>S</b> - Sensornet	<b>N</b> - No Mount* <b>C</b> - Corner <b>L</b> - Pole <b>P</b> - Pendant/Pipe** <b>W</b> - Wall

\*Indoor pendant with no mount option selected is ready for 3/4-in pipe.

\*\*Pendant/Pipe mount kit includes a coupler for 1 1/2-in pipe and a ceiling flange.

## OUTDOOR PENDANT - EXAMPLE: PTZ-ADN2RW

model	camera	format	environment	protocol board	mount option
<b>PTZ-A</b>	<b>D</b>	<b>N</b>	<b>2</b>	<b>R</b>	<b>W</b>
<b>Aigis Pan/Tilt/Zoom Outdoor Pendant</b>	<b>S</b> - 22X color <b>F</b> - 22X color/masking <b>D</b> - 23X day/night	<b>N</b> - NTSC 24V/50Hz <b>P</b> - PAL 24V/50Hz	<b>2</b> - Pendant, Outdoor, Clear	<b>R</b> - RS485 <b>M</b> - Manchester <b>P</b> - Bi-Phase <b>C</b> - Coaxitron <b>S</b> - Sensornet	<b>C</b> - Corner <b>L</b> - Pole <b>P</b> - Pendant/Pipe <b>R</b> - Roof (Parapet) <b>W</b> - Wall

- RS-485 is the factory protocol and also supports 10 other control protocols including Pelco D, Pelco P, Kalatel, Vicon, and Panasonic. Call the factory if your particular control protocol is not listed here.
- All domes are shipped with a clear, polycarbonate bubble with a liner. Smoked dome bubbles are available as an option. (Call the factory for part number and price.)
- Additional mounting options include a hardened indoor surface mount and outdoor recessed (soffit) mount - call the factory for details.

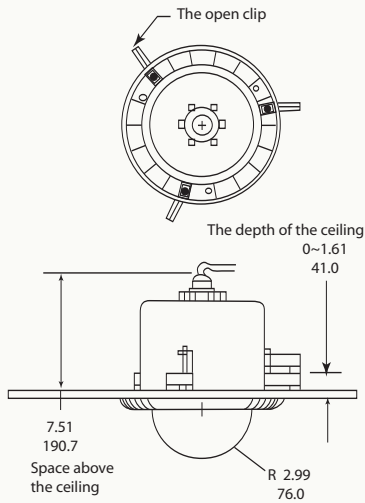
# SPECIFICATIONS

OPERATIONAL SPECIFICATIONS	
Preset	220 Presets with Titles; 4 Preset Tours
Preset Speed	>300°/second
Zoom-Rotation Interaction	Control speed auto adjust - According to focus length
Auto Flip	Rotate 180° when camera tilts to the vertical position
Auto Pan Scan	0° - 355° Programmable; 4 Auto Scan Routes
Pan Speed	0.5° - 300° (non-grade)
Pan Rotation Range	360° Continuous
Tilt Range	Tilt 90° (180° w/auto flip)
MTBF	Mean Time Between Failure: greater than 8000 hours

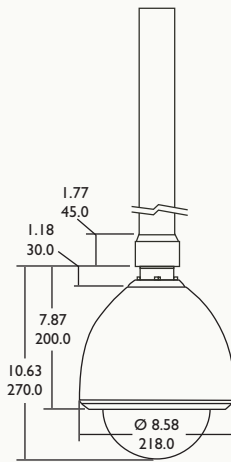
MECHANICAL	
Construction	Pendant - aluminum housing and sunshield In-Ceiling - plastic backbox
Color	White
Dome Bubble	Polycarbonate
Bubble Diameter	5.9 in
Height	Pendant - 12.1 in (308mm) In-Ceiling - 9.7 in (247mm)
Diameter	Indoor Pendant - 8.6 in (218mm) Outdoor Pendant - 9.3 in (236mm) In-Ceiling - 9.7 in (247mm)
Weight	Indoor - 5.5lbs (2.5kg) / Outdoor 7.1 lbs (3.2kg) dome unit only with no mounting brackets
ELECTRICAL	
Power Supply	24VAC ±10% 50/60 Hz
Power Consumption	10W (Indoor dome) 50W (Outdoor dome)
ENVIRONMENTAL	
Operating Temperature	Indoor dome 32°F to 104°F (0°C to 40°C) Outdoor dome -40°F to 140°F (-40°C to +60°C)
Humidity	0 to 95% relative, non-condensing
Enclosure Protection	IP66 Outdoor Dome
Fan & Heater	Fan works continuously; heater auto starts (Outdoor dome)

CAMERA SPECIFICATIONS			
	PTZ-AS (standard)	PTZ-AF (full-featured)	PTZ-AD (day/night)
OPTION	-S	-F	-D
Model	22X (PAL/NTSC) Color	22X (PAL/NTSC) High Sensitivity Color with Masking	23X (PAL/NTSC) Day/Night (Color/Mono)
Sync Mode	Internal	Internal/External	Internal
Total Pixel	470K (795 x 596)/ 410K (811 x 508)		450K (758 x 592)/ 380K (758 x 504)
Effective Pixel	440K (752 x 582)/ 380K (768 x 494)		420K (724 x 582)/ 360K (724 x 494)
Scan Area	1/4" Scan Area		
Scanning System	2:1 Interlacing		
Resolution	>470TVL		470TVL / 550TVL
Sensitivity	0.9 Lux	0.02 Lux	Color: 0.08 Lux Mono: 0.013 Lux
Privacy Mask Mode	0	8	8
Iris	Auto/Manual		
Focus	Auto/Manual		
Zoom Rate	264x (optical 22x, digital 12x)	176x (optical 22x, digital 8x)	230x (optical 23x, digital 10x)
Zoom Length	4 - 88mm	4 - 88mm	3.6 - 82.8mm
Angle of View	Wide 47° / Tele 2.2°	Wide 47° / Tele 2.2°	Wide 54° / Tele 2.5°
Back Light Compensation	Off/Auto		
White Balance	Auto/Manual		
Gain Control	Auto		
Signal to Noise Ratio	>50dB (greater than or equal to)		
Video Output	1.0 ± 0.2 Vp-p		

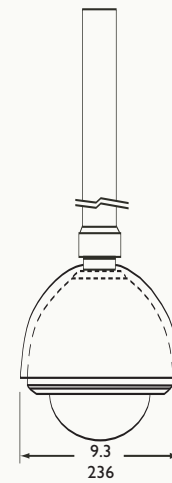
## PTZ - DIMENSIONAL DRAWINGS



**Indoor In-Ceiling**



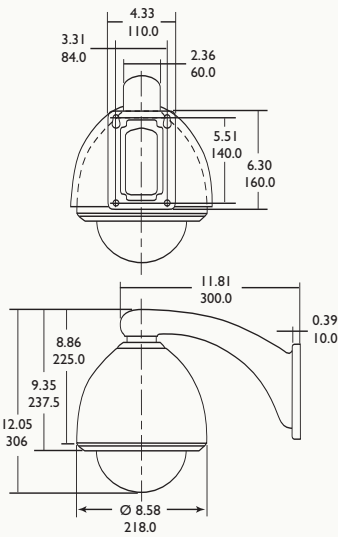
**Indoor Pendant**



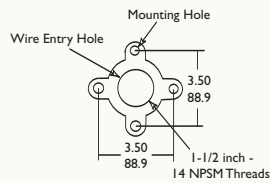
**Outdoor Pendant**

in  
mm

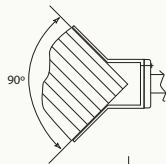
## PTZ - MOUNTING OPTIONS



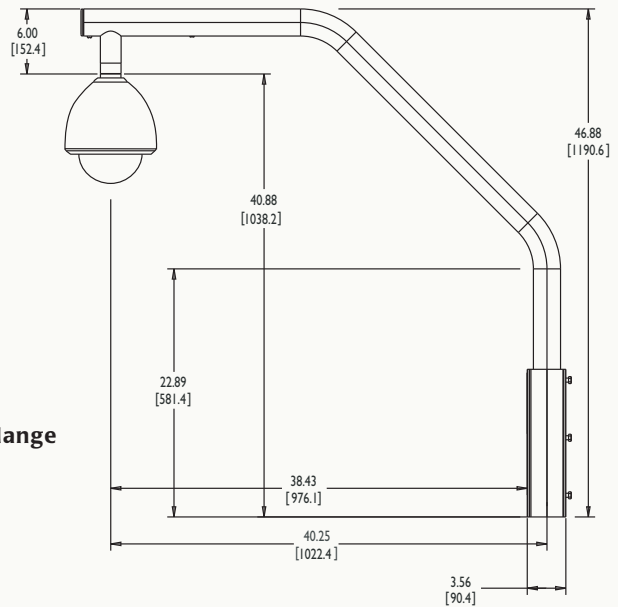
**MT-PTZW Wall Mount**



**MT-PTZP Pipe Mount Kit w/Flange**



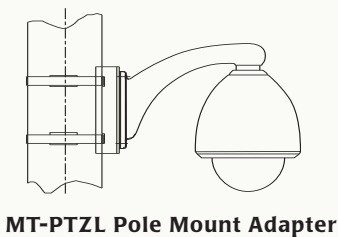
**MT-PTZC Corner Mount Adapter**



**MT-PTZR Parapet Mount**

**Also Available:**

**MT-PTZRA Roof Mount Adapter**  
See MT9230 Parapet Mount Datasheet for complete specifications



**MT-PTZL Pole Mount Adapter**



mechtronics  
©2004 Aigis Mechtronics  
1124 Louise Road, Winston-Salem, NC 27107-5450  
Tel: 336.785.7740 Fax: 336.785.7744  
www.aigismech.com  
Data subject to change without notice

**why limit your options?**

12/05  
preliminary specifications  
Printed in U.S.A.