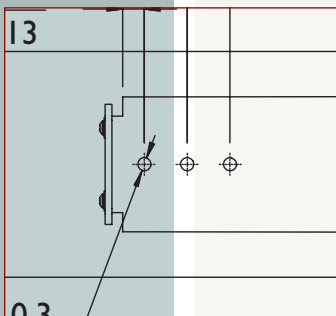
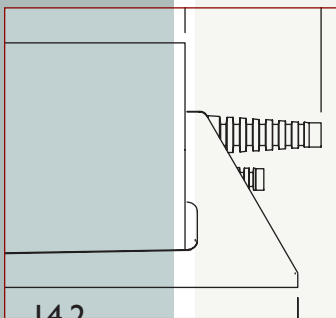
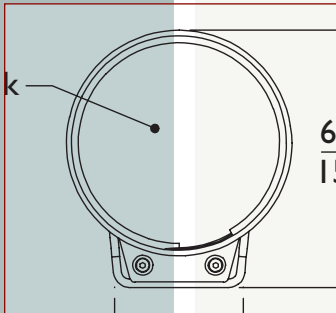


- For Standard Size Cameras
- All Aluminum Construction
- Easy Installation
- Removable Cover
- Built-in Window Heater/Defogger
- Accessories Available

Large Outdoor Housings



HS9385 & HS9386 Series

The 5.3-inch diameter HS9385 and HS9386 Large Series Outdoor Housings are designed to enclose large zoom lenses and cameras.

These housings are constructed of an extruded aluminum cover and a fabricated aluminum frame. The unique design allows adjustments to be made to the camera in its mounted position after the cover is removed. Also, an internal rail assembly rotates independently of the mounting base assembly and allows the camera to be mounted at any angle.

The housing comes equipped with an internally mounted thermostatically controlled heater. The heater design minimizes fogging of the polycarbonate window in high humidity areas or freezing under cold temperature conditions. The rear of the housing contains three liquid-tight fittings which permit pass-through of video coax, AC power, and lens control wiring. The housing is sealed with O-rings.

SPECIFICATIONS

ELECTRICAL

Model No.	Length	Rated Input	Voltage Range	Nominal Power ¹
HS9385-6	20-inch	115 VAC, 50/60 Hz	108 to 132	50 W
HS9385-2	20-inch	24 VAC, 50/60 Hz	21.6 to 26.4	50 W
HS9385-5	20-inch	230 VAC, 50/60 Hz	207 to 253	50 W
HS9385-2-12	20-inch	24 VAC, 50/60 Hz ²	21.6 to 26.4	50 W

¹ Heater requires 40 watts.

² For use with 12VDC cameras. Includes power supply 12VDC @600ma max.

Model No.	Length	Rated Input	Voltage Range	Nominal Power ¹
HS9386-6	12.5-inch	115 VAC, 50/60 Hz	108 to 132	50 W
HS9386-2	12.5-inch	24 VAC, 50/60 Hz	21.6 to 26.4	50 W
HS9386-5	12.5-inch	230 VAC, 50/60 Hz	207 to 253	50 W
HS9386-2-12	12.5-inch	24 VAC, 50/60 Hz ²	21.6 to 26.4	50 W

¹ Heater requires 40 watts

² For use with 12VDC cameras. Includes power supply 12VDC @600ma max.

Electrical Connections: Three position terminal block for supply line power. HS9385-6, HS9385-5, HS9386-6 and HS9386-5 models have inline receptacles for camera power connections.

Heater-Defogger: Standard 40 watt thermostatically-controlled heater-defogger.

MECHANICAL

Maximum Camera/Lens Size:

HS9385 series accepts cameras up to 4.0 x 2.8 in (102 W x 71 H mm), lenses up to 4.0 x 3.6 in (102 W x 92 H mm), and camera/lens combinations up to 13.8 in (350 L mm).

HS9386 series accepts cameras up to 4.0 x 2.8 in (102 W x 71 H mm), lenses up to 4.0 x 3.6 in (102 W x 92 H mm), and camera/lens combinations up to 7.8 in (200 L mm).

Cable Entry: Two 1/2 inch NPT and one 3/8 inch NPT tapped holes. Three liquid-tight fittings are provided pre-installed. Accepts the following cable diameters: 3/8 inch NPT fitting, 0.181 in to 0.312 in (4.6 mm to 7.9 mm); 1/2 inch NPT fittings, 0.170 in to 0.470 in (4.3 mm to 11.9 mm).

Window: 0.375 in (9.5 mm) polycarbonate treated with a UV light resistant coating. Viewing area: 5 in (127 mm) diameter.

Housing Mounting: Three 0.312 in (8 mm) clearance holes in base. Mounting base assembly may be rotated through 360°.

Camera Mounting: Slotted internal rail assembly, which may be rotated through 360°. All camera/lens mounting hardware is provided.

Construction: Extruded aluminum cover, fabricated aluminum frame, and polycarbonate window.

Finish: Light gray.

Dimensions: See Dimensional Outline.

Weight:

HS9385 - 8.2 lb (3.7 kg)

HS9386 - 6.2 lb (2.8 kg)

ACCESSORIES

Sunshields provide protection from the direct rays of the sun and promotes cooling to reduce internal housing temperatures.

HS9385SS sunshield: For use with the HS9385 series housings.

HS9386SS sunshield : For use with the HS9386 series housings.

HS9385NPT to PG Conversion Kit: Converts NPT cable entry holes to two PG11 and one PG7 hole.

Tamper Resistant Kit: Includes screws and insertion tool to permit tamper-resistance for up to 10 housings.

HS9385TK: For HS9385 & HS9386 Series housings.

MT9216: 16-inch wall mount, 100 lb maximum load.

MT9227: Adjustable head 100 lb maximum load. For use with the MT9216.

(See Aegis Mounts for additional mounting options)

ENVIRONMENTAL

Temperature:

HS9385: At external ambient temperatures of -22 °F to +122 °F (-30 °C to +50 °C); maintains internal temperatures between -4 °F to +131 °F (-20 °C to +55 °C).

HS9386: At external ambient temperatures of -40 °F to +122 °F (-40 °C to +50 °C); maintains internal temperatures between -14 °F to +131 °F (-10 °C to +55 °C).

Salt Atmosphere: MIL-STD-810E, Method 509, Procedure I.

Enclosure Protection: Designed to NEMA-4, IP65, Enclosure Type 4.

ELECTROMAGNETIC COMPATIBILITY

EMC Requirements:

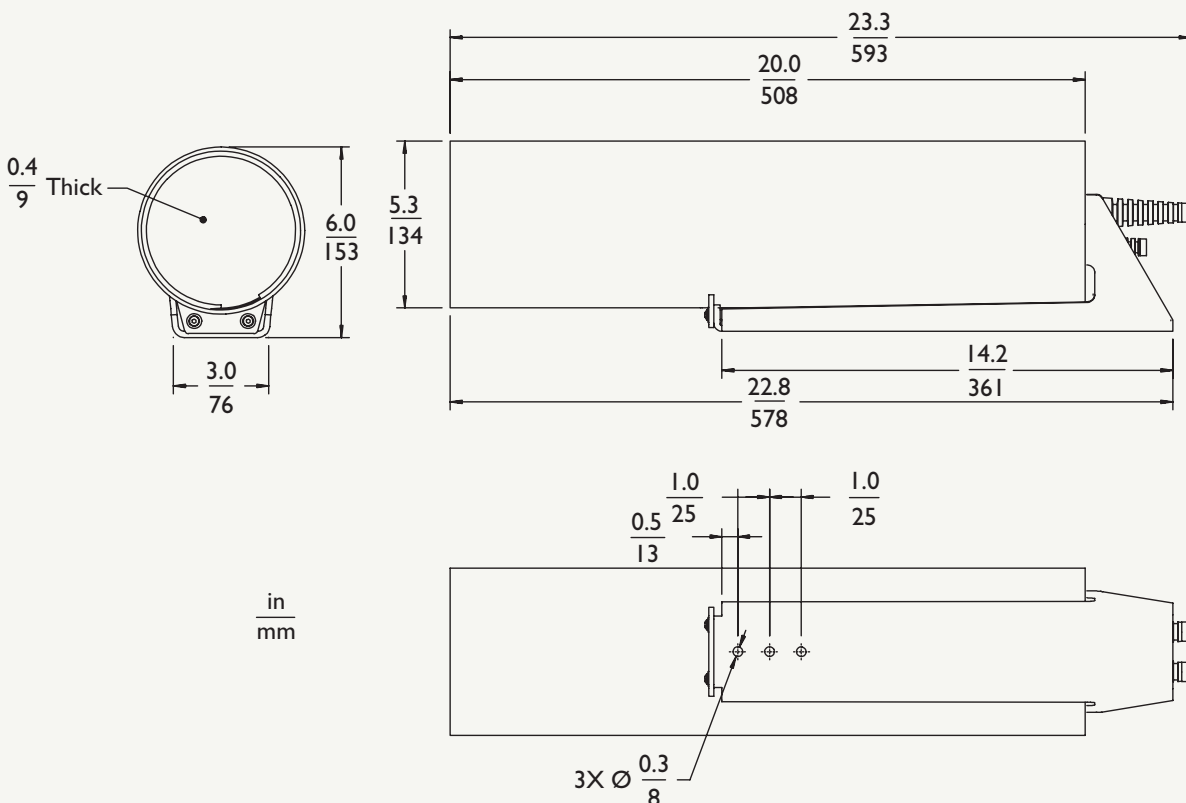
Immunity: 89/336/EEC, EN50082-1.

Emission: 89/336/EEC, EN50081-1 Class B. **Safety:** CE: LVD Requirements: 73/23/EEC; EN60065.

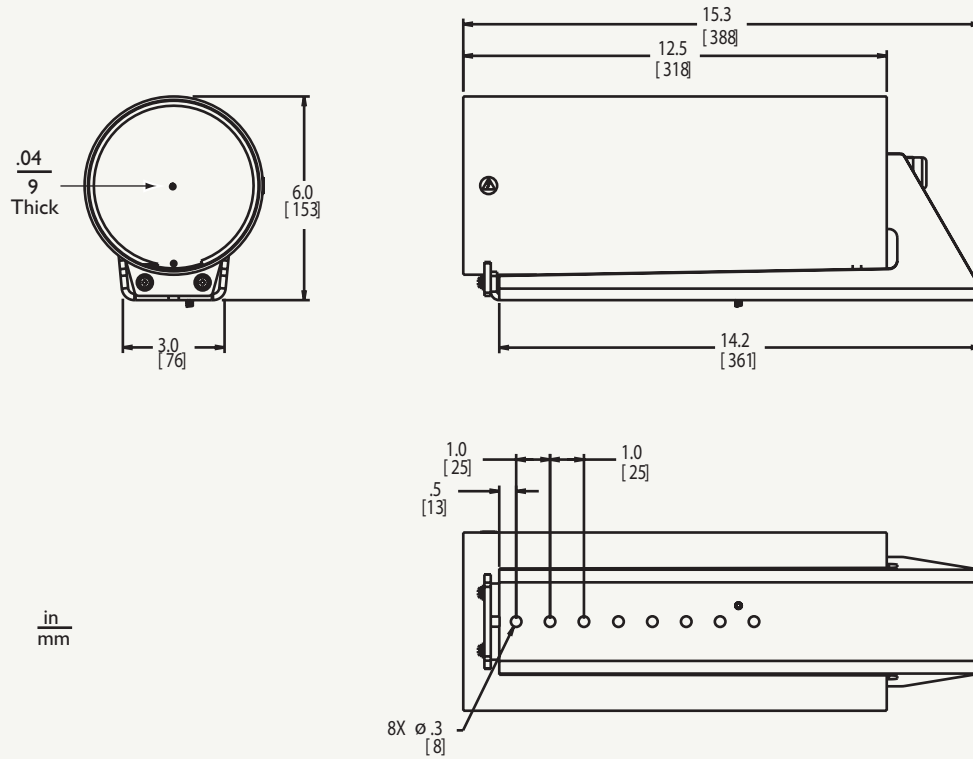
UL: UL 1409.

cUL: CSA 22.2, No.1.

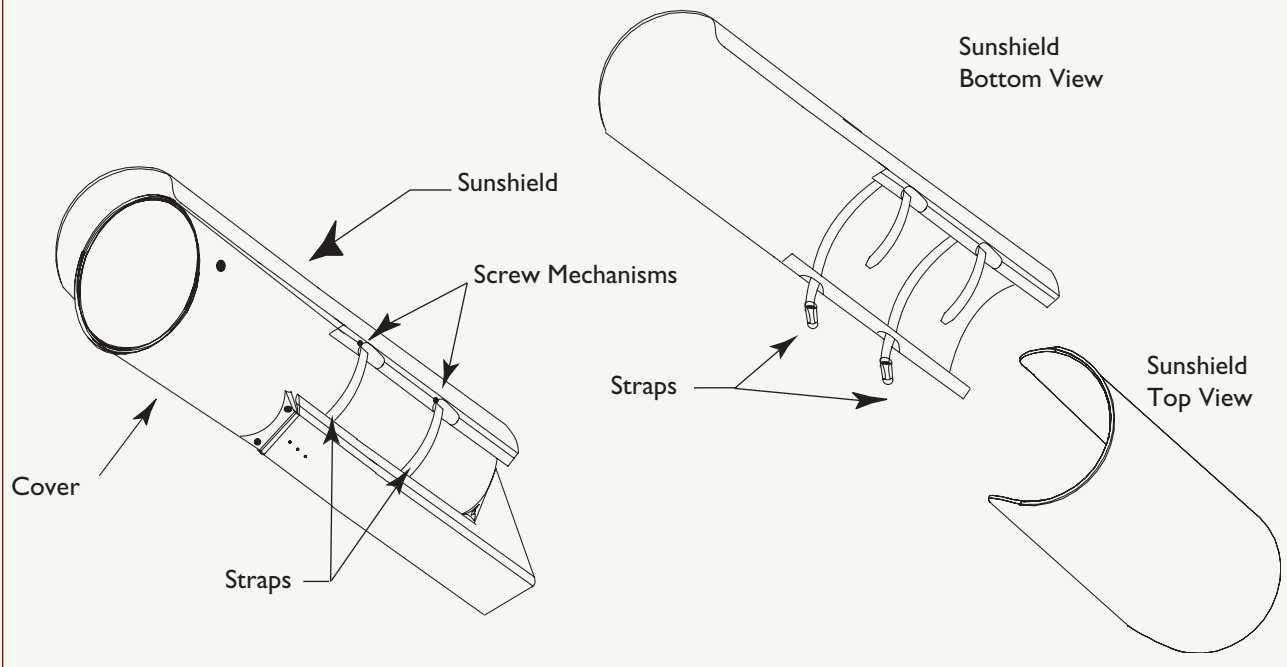
HS9385 SERIES DIMENSIONAL DRAWING



HS9386 SERIES DIMENSIONAL DRAWING



HS9385SS AND HS9386SS SUNSHIELD ACCESSORY



aigis
mechtronics
Now Part of **Linear**[®]
Building On Innovation.

1950 Camino Vida Roble, Suite 150
Carlsbad, CA 92008
Tel: 760.438.7000 800.421.1587
www.aigismech.com • www.linearcorp.com