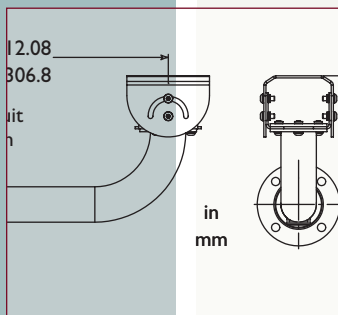
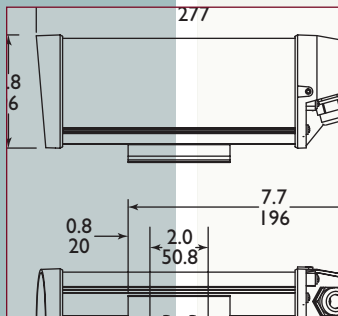
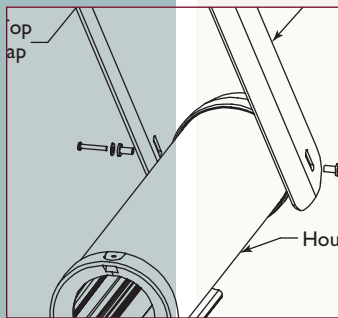


- Variety of Camera and Lens Options Including Day/Night
- Feed-through Wiring
- Aluminum and Advanced Polymer Construction
- Easy Installation
- Full Camera Accessibility
- Available in Multiple Sizes
- Cost Competitive
- Multiple Accessories Available

INC Cylindrical Indoor and Outdoor Camera Packages



INC Series

The INC Series of indoor/outdoor housing packages offer a smooth, sleek, look that complements any environment. This series is both cost competitive and easy to install.

The Aigis INC Series features indoor/outdoor integrated fixed camera/lens modules. All versions are prewired making installation a breeze. Choose from a variety of camera and lens options including color high resolution and day/night. With the day/night camera achieve hi-resolution color images during the day with with high sensitivity B/W images at night.

These sturdily constructed housings are available with a preinstalled heater or a preinstalled heater and blower. The heater maintains the internal temperature of the housing in cold temperature conditions and the heater/blower combination minimizes fogging in high humidity locations and extends the temperature limits.

For quick installation or service, simply remove the two captive screws and slide off the cover to fully expose the camera and lens. This allows access to all camera and lens controls when the camera is in its mounted position. Power, video, and lens control cabling can be routed through liquid tight fittings in the bottom rear of the housing or can be routed through the mounting base. Feed-through mounts are included with the package to hide the cabling.

INC Series Cylindrical - Indoor and Outdoor, Color High Resolution, Day/Night

Camera Packages

	Description	Voltage/Power
Indoor		
INC2CH38	Color high-resolution camera package with a 540TVL, 1/3" imager includes a 3.0-8.5mm Auto-Iris, IR Corrected lens which is factory set and pre-wired into a 10-inch HS9480 housing. Includes 5 feet of cable and a MT9215S feed-through wall mount. For indoor use only.	12VDC/24VAC, 3W
INC2WD212	Pixim™ Wide Dynamic Range color camera package provides 540TVL resolution and includes a 2.8-12mm Auto-Iris, IR Corrected lens, factory set and pre-wired into a 10-inch HS9480 housing. Includes 5 feet of cable and a MT9215S feed-through wall mount. For indoor use only.	12VDC/24VAC, 4W
Outdoor		
INC2DN212E	True Day/Night camera package with mechanical IR cut-filter, 540TVL, 1/3" imager, and 2.8-12mm Auto-Iris, IR Corrected lens are factory set and pre-wired into a 16-inch HS9483 housing. Includes a heater and blower, 5 feet of cable, a MT9215 feed-through wall mount, and a sunshield. For use outdoors.	24VAC, 26.5W
INC2DN75E	True Day/Night camera package with mechanical IR cut-filter, 540TVL, 1/3" imager, and 7.5-50mm Auto-Iris, IR Corrected lens are factory set and pre-wired into a 16-inch HS9483 housing. Includes a heater and blower, 5 feet of cable, a MT9215 feed-through wall mount, and a sunshield. For use outdoors.	24VAC, 26.5W

ACCESSORIES

Sunshield: Provides protection from the direct rays of sun and promotes cooling to reduce internal housing temperatures. Strongly recommended for housings to be used outdoors.

HS9483SS: Provided with "E Versions For outdoor packages.

HS9480TK Tamper Resistant Kit: Includes 10 screws and insertion tool to permit tamper resistance for five housings.

MT9215 Mount: Feed-through mount attached to the foot of housing for HS9483 Series housings.

MT9215S Mount: Feed-through mount attached to the foot of housing for HS9480 Series housings.

Cable Entry:

HS9480 & HS9483 Series: Two liquid tight rear fittings accept cable diameters from 0.17 in to 0.47 in (4.3 mm to 11.9 mm). Two bottom feed-through liquid tight fittings accept cable diameters from 0.18 in to 0.31 in (4.6 mm to 7.9 mm)

ELECTROMAGNETIC COMPATIBILITY

Safety: Enclosure UL, cUL

Window: 0.12 in (3 mm) thick UV-stabilized polycarbonate.

Housing Mounting: Four (4) available 1/4-20 tapped holes. Only one set of two is required for mounting.

Camera Mounting: Removable camera bracket. Mounted with two screws.

Construction: Aluminum cover, aluminum base, aluminum mounting foot, polycarbonate faceplate, glass reinforced polycarbonate end caps, neoprene gasket, ethylene propylene seal, and all stainless steel hardware.

Finish: Light Gray.

Dimensions: See drawings.

Weight (approx.):

Indoor Packages including mount - 5 lb

Outdoor Packages including mount and sunshield - 6 lb

ENVIRONMENTAL

Temperature: Rated for temperatures of:

-40°F to 122°F (-40°C to 50°C)

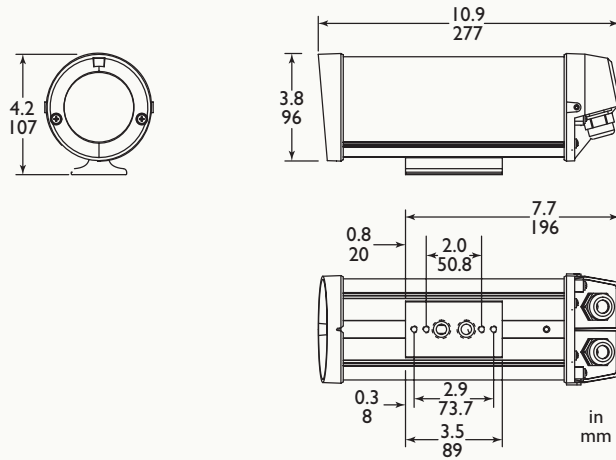
Salt Atmosphere: MIL-STD-810E, Method 509, Procedure I.

Enclosure Protection: IP65, Designed to meet NEMA 4.

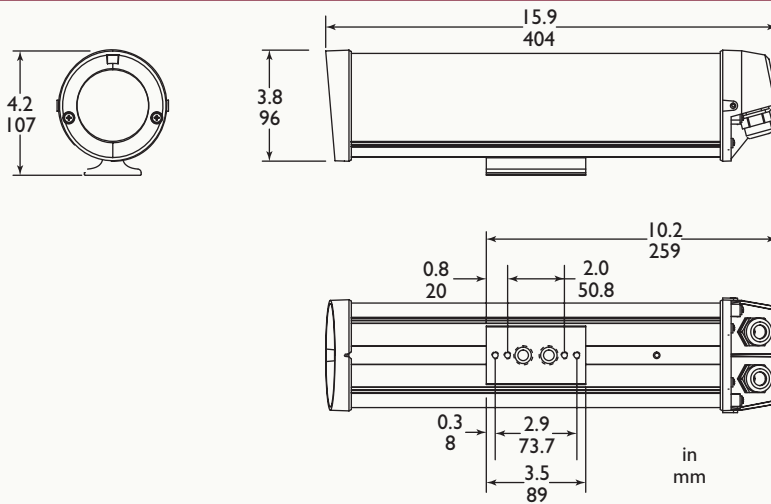
Camera Specifications			
Camera Type	Day/Night	Color	Wide Dynamic
Part Number	CAM 468DN	CAM 468CH	CAM 586WD
Image Sensor	1/3" Sony Super HAD II CCD		1/3" DPS (Digital Pixel System).
Resolution	540 TVL		
Signal System	PAL or NTSC		
Effective Pixels	752 x 582 (PAL) 768 x 494 (NTSC)		720 x 540
Minimum Illumination	0.3 Lux/F1.2, 0.008 Lux w/ IR Cut Filter	0.008 Lux/F1.2	0.05 Lux/F1.2
S/N Ratio	>50 dB		50 dB
White Balance	Auto 2,000 to 10,000K	ATW/AWB	Auto 2,000 to 10,000K
Electronic Shutter	PAL: 1/50 ~ 1/100,000 sec NTSC: 1/60 ~ 1/100,000 sec		
Auto Iris	DC / Video		
Lens Mount	C / CS		
Video Output	1.0 V _{p-p} , 75_ typical		
Power Supply	12VDC / 24VAC Dual Voltage		
Power Consumption	< 3.5W	< 3W	< 4W
Dimensions	2.36 x 2.44 x 4.76 in (60 x 62 x 121 mm)		
Weight	1.10 lbs (500g)		
Operating Temperature	+14°F ~ +122°F (-10°C ~ +50°C) 95% RH, Non Condensing		

Lens Specifications				
PART NUMBER	Focal Range	Iris Range	Iris/Shutter	Format
Color				
-212	2.8-12mm	f/1.2 - 360	DC Auto Iris (Manual Iris optional)	1/3-inch
-38	3-8.5mm	f/1.0 - 360		
-75	7.5-50mm	f/1.3 - 360	DC Auto Iris	1/3-inch

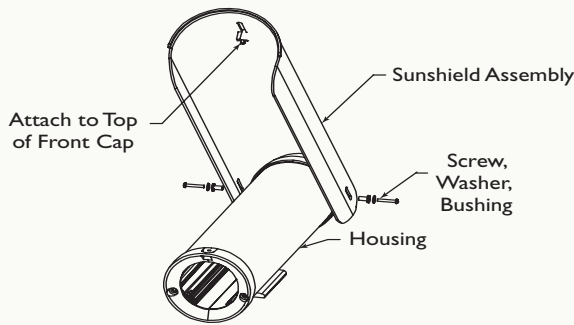
INC INDOOR SERIES - DIMENSIONAL DRAWING



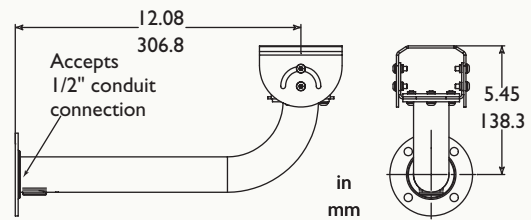
INC OUTDOOR SERIES - DIMENSIONAL DRAWING



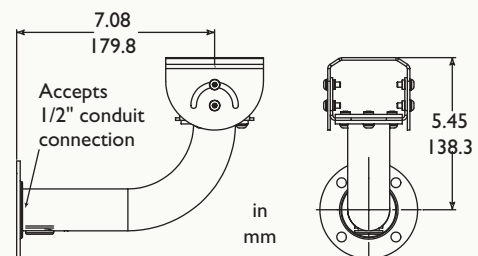
SUNSHIELD ACCESSORY - HS948xSS



MT9215 Feed-through Mount - Outdoor



MT9215S Feed-through Wall Mount - Indoor



1950 Camino Vida Roble, Suite 150
 Carlsbad, CA 92008
 Tel: 760.438.7000 800.421.1587
 www.aigismech.com • www.linearcorp.com