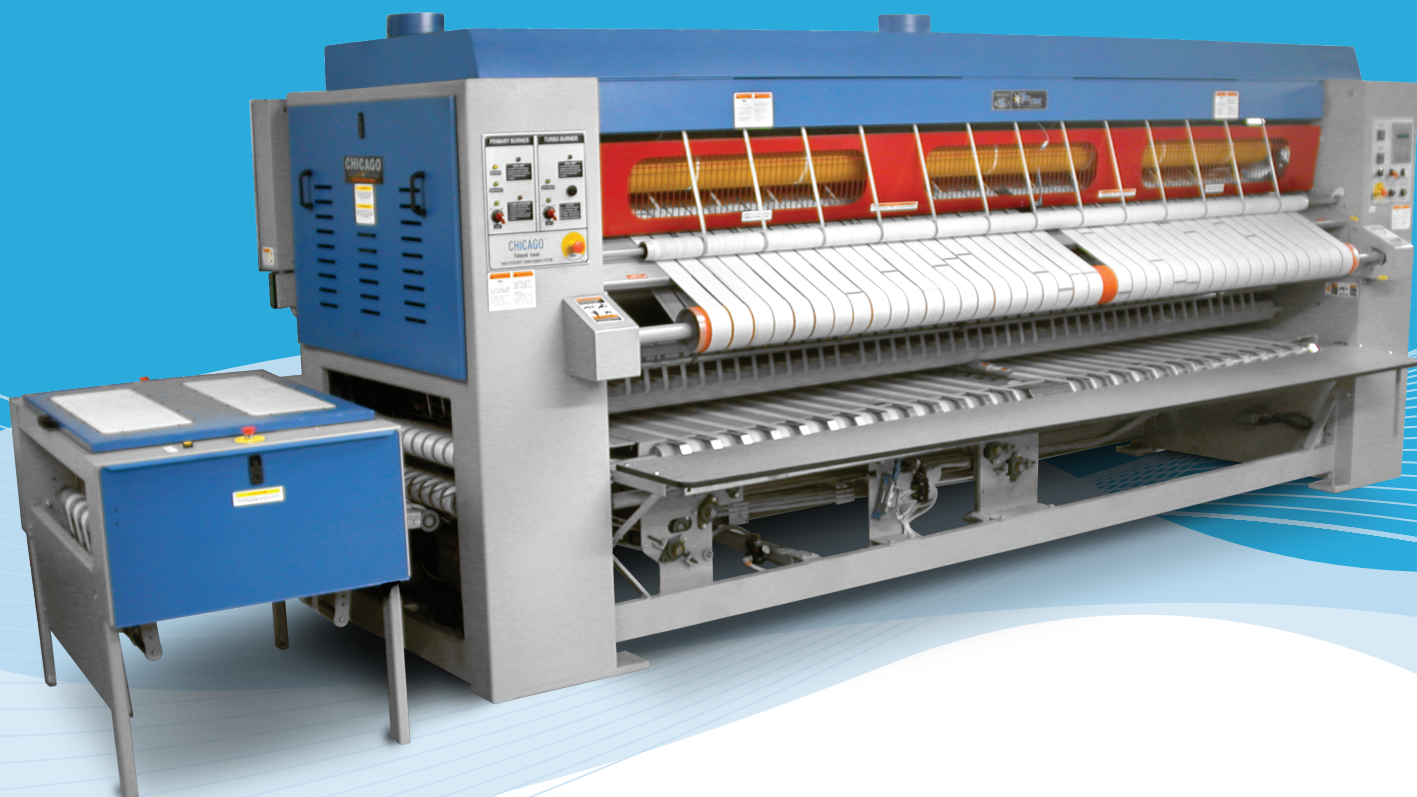




# Tri-Star 24/28/32™ CrosStar 36™

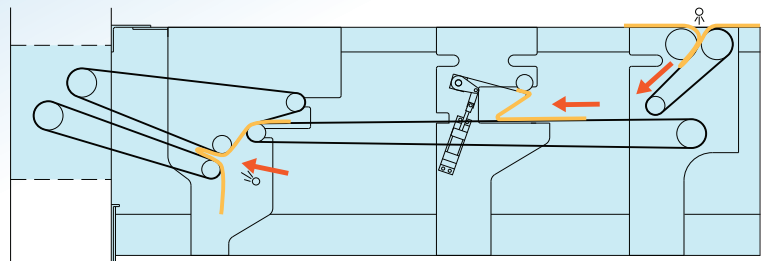
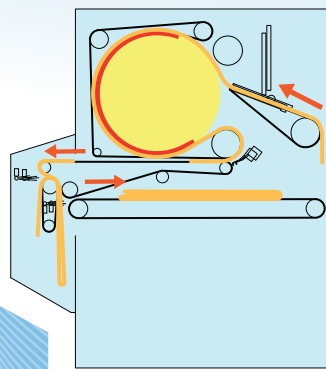
All-In-One Ironing/Folding/Crossfolding Series  
with Optional Feeding/Stacking



On-premise laundries with limited floor space can enjoy the productivity and quality of high production drying and ironing with the added convenience of built-in measured automatic folding, crossfolding and stacking in less than half the floor space required for individual machines. The Tri-Star 24" (600mm), 28" (700mm) and 32" (800mm) and the CrosStar 36" (900mm) diameter cylinders all come in gas or steam heated models and are designed for those laundries without sufficient room for a separate ironer and folder. Each can change from single lane mode to optional multiple lane operation, accommodating everything from today's oversized luxury items to smaller linen such as pillowcases or napkins. Powerful, versatile performers provide, in less space, the all-in-one answer to your complete finishing needs.

# Path of Linen

Items easily flow through the ironing and folding sections, resulting in a neatly ironed and folded package. As linen moves through the system, conveyor drive functions are performed by AC frequency inverters and high efficiency motors for dependability and reduced maintenance. No mechanical clutch/brake devices are used anywhere in the system.



Series of precise air-blasts folds with pinpoint accuracy resulting in neatly finished items.

# State-of-the-art system for your quality finished linens

After washed linen is placed on the Tri-Star or CrosStar's input conveyor, it is dried and ironed by the ironing section's large heated cylinder. Linen then moves to primary and crossfolding sections to deliver a neatly finished product, such as luxury sheets or tablecloths, with hidden selvage edges. Or use the primary only function to deliver items back to the front table for easy handling when a crossfold isn't necessary. With the optional stacker and conveyor, you can have neat stacks of linen finished quickly and efficiently in a smaller space. Various optional features offer more flexibility by operating in up to four lanes for smaller items, making efficient use of the entire ironing surface. (Consult factory for minimum/maximum item size requirements.)

## Standard Features

- Choice of Tri-Star 24", 28" or 32" (600, 700, or 800 mm), or CrosStar 36" (900 mm) ironing cylinders to match exact production needs
- Mirror-finish ground and polished ironing cylinder with 120" (3050 mm) usable ironing width for even and efficient heat transfer (wider widths available, consult factory for details)
- Ironed and crossfolded items are delivered to left side receiving shelf or optional stacker/conveyor for added labor savings
- Primary folded or bypassed (ironed only) items are returned to front table for removal
- Touch control AC frequency inverter variable speed drive with soft start and jog features
- Heat-Lock system including exhaust canopy with insulated rear heat shield, two blowers and motors to remove excess moisture, raise ironing temperature, reduce energy consumption and improve laundry room comfort
- User-friendly controls with speed and temperature indicators to monitor ironing conditions and alert operators of situations requiring attention
- Exclusive Chicago High Intelligence (CHI) control with easy-to-read message screen, displays speed and folding status, as well as production count along with custom programming capability, and diagnostic features for ease of operation and reliability
- Compression rolls are pneumatically controlled for uniformed ironing and simplified operation
- Self-guiding tapes are used in feed area only. No tapes required in ironing area
- Environmentally-safe Nomex® high temperature ironing textiles for long service life and easy replacement
- Auto-tension return ribbons hold linen in firm contact with heated surface during ironing
- Jog forward-reverse and stain/tear reject (C.A.R.P.) which feed operators can use to direct stain/torn items to a separate destination for rewash or sewing
- Complete protection by safety covers, guards, stop buttons and bilingual safety labels
- Safety finger bar protects full width of ironer
- U.S. designed and manufactured to assure quality control and prompt parts availability

## Gas Heated Models

- Higher BTU's for greater production in less time offers the most economical way to dry and iron—with lower operating costs
- High efficiency power burner produces the maximum drying power available for faster evaporation of moisture from wet linen
- Eagle Eye™ electronic touchless ironing temperature sensor assures pinpoint temperature control
- Surefire two-stage electronic ignition and proving eliminates flame rod and isolates all ignition components in a stable and accessible area for reliability and serviceability
- Electronically cycles burner on and off to maintain correct temperature with economical operation
- Combustion blower assures correct air/gas mixture and proper air circulation for optimum heating performance and efficient gas usage



## Steam Heated Models

- A traditional method of heating with exceptionally low maintenance requirements
- Ideal for installations with existing boiler providing 100 to 150 PSI at the ironer
- Temperature display and steam pressure gauge monitor heating system performance
- Dependable rotary steam union admits steam and discharges condensate
- Furnished with flexible hoses in the inlet and return lines, all internal piping, steam separator, and steam trap for simple and economical installation
- Steam ironing cylinders are constructed, tested and certified with the ASME stamp to meet local code and insurance requirements



## Tri-Star 24/28/32 Series—For higher volume on-premise laundries with limited space

Tri-Star series 24/28/32 finishing systems with built-in Chicago High Intelligence (CHI) microprocessor controlled primary folder, crossfolder and stacker provides complete finishing of up to 800 lbs. (360 kg) per hour in less than half the floor space of a separate ironer and folder. After the CHI automatic mode for Tri-Star's folding section is set up to perform the desired functions on a property's various linen items, Chicago's unique CHI microprocessor control automatically selects the correct number of folds for all sizes of bed and table linen, eliminating the possibility of manual selection errors. The right finishing system for on-premise laundries with limited floor space, which need to produce a superior finished product.



## CrosStar 36—The largest all-in-one machine in the world offers more power and increased production



When you need extra drying power for your luxury linens or heavier textiles, it's time to move up to the CrosStar 36—the industry's fastest and most advanced one-piece finishing system. It merges all the great features of a Tri-Star machine with Chicago's powerful Imperial 36 ironer, utilizing a longer input table for feeding heavier pieces with less effort, and a built-in, full size Chicago Skyline folder/crossfolder featuring 40" wide first crossfold rolls, fast and rugged 2nd and 3rd crossfold section, along with an optional full size stacker. Perfect for the quality boutique hotel or any business with a wide variety of high quality finishing needs and limited floor space.

### CrosStar 36 Features

- Built-in full size Skyline folder/crossfolder with 40" wide first crossfold rolls, 2nd and 3rd crossfold section
- Longer input table to feed heavier pieces with less effort and better quality finish
- Hinged access to first crossfold opening for easy maintenance access
- First crossfold performed by heavy duty blade for dependability and consistency on thick or thin items
- Available in single lane or optional 1-2-4 lane model to handle everything from large oversize sheets to banquet cloths to medium size tablecloths to pillowcases
- All lane changing can be performed automatically or controlled manually

# Options for Improved Efficiency and Flexibility

## Multiple Lane Primary Folding

The Tri-Star Series also offers four lane primary folding for smaller items such as pillowcases, making it more adaptable for both small and large piece processing. CrosStar 36 offers 1-2-4 lane primary folding making the system more versatile because, in addition to single lane large piece operations, smaller items such as pillowcases or medium size table linen can also be primary folded.

## Wider Ironing Width

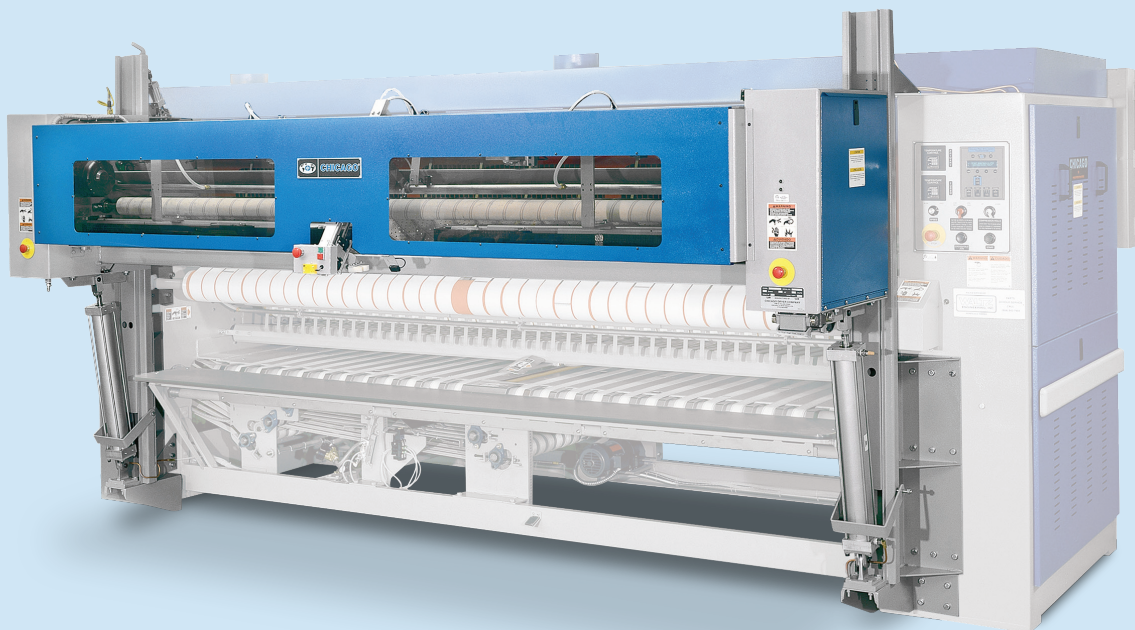
136" (3450mm) ironing width is available to accommodate today's larger luxury items. Perfect for boutique hotels handling extra large "California" king sheets and on-premise laundry facilities processing a variety of large sized linens.

## Stacker and Conveyor

The stacker, located at machine exit, conveniently stacks finished linen in neat, organized piles and the conveyor then delivers linen to the operator for easy removal. **CHI** panel controls both stacker and conveyor from the front of the machine, making for easy operation. The stacker and conveyor adds extra versatility and labor savings to any Chicago system.

## O.P.L. (One Person Loading) System

A compact, fast and ergonomically correct built-in spreader feeder, based on the original cornerless Edge spreader feeder series, designed to keep up with the speed and power of the Tri-Star Series and CrosStar. **O.P.L.** enables one person to operate a complete finishing system. The above-ironer design allows the unit to be raised, allowing small pieces to be fed directly into the ironer, and does not interfere with return-to-operator capabilities. **O.P.L.** can also be operated by two people for increased production on ironers at higher speeds.

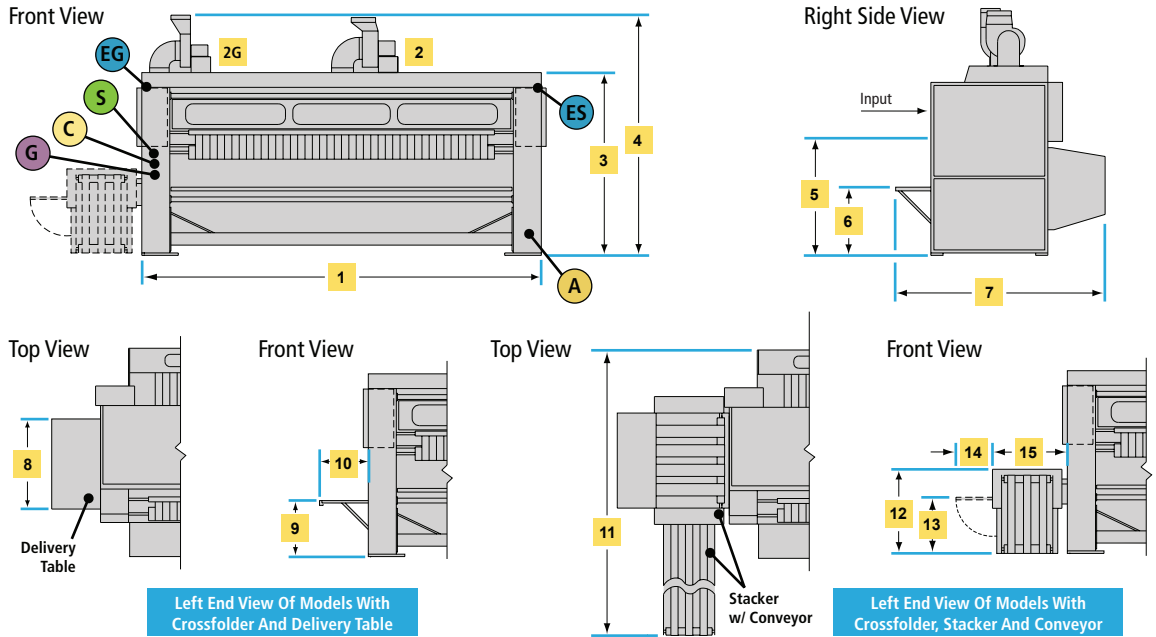


**O.P.L.** Ultra Compact Feeder - as shown on a Tri-Star 32

# Tri-Star and CrosStar Dimensions and Utilities

## Notes:

1. Specifications subject to change without notice. Consult factory for certified construction floor plan.
2. Millimeter dimensions are in [ ].
3. All dimensions are  $\pm 1/2$  ".
4. Utility connections are located at rear.
5. Spec information and floor plans are for standard 120" [3050mm] machine. Wider models available. Consult factory for details.



## Gas/Steam Heated Models

	Tri-Star Series			CrosStar
	24	28	32	36
Electrical (Gas)	EG AT 69" HT. [1753]	AT 71" HT. [1803]	AT 75" HT. [1905]	AT 79" HT. [2006]
Gas Connection	G 1-1/2" AT 32" HT. [813]	1-1/2" AT 36" HT. [914]	2" AT 39" HT. [991]	2" AT 39" HT. [991]
Electrical (Steam)	ES AT 69" HT. [1753]	AT 70" HT. [1778]	AT 73" HT. [1855]	AT 73" HT. [1855]
Steam Inlet	S 1" AT 31" HT. [787]	1-1/2" AT 62" HT. [1575]	2" AT 68" HT. [1727]	2" AT 68" HT. [1727]
Condensate Return	C 3/4" AT 33" HT. [838]	1" AT 40" HT. [1016]	1" AT 42" HT. [1067]	1" AT 42" HT. [1067]
Air Connection (Gas)	A 1/2" AT 10" HT. [254]	1/2" AT 12" HT. [305]	1/2" AT 14" HT. [349]	1/2" AT 14" HT. [349]
Air Connection (Steam)	A 1/2" AT 10" HT. [254]	1/2" AT 12" HT. [305]	1/2" AT 11" HT. [279]	1/2" AT 11" HT. [279]
1 (Steam)	164" [4166]	171" [4343]	170" [4318]	170" [4318]
1 (Gas)	164" [4166]	171" [4343]	182" [4623]	182" [4623]
2 (Gas)	8" VENT	8" VENT	8" VENT	8" VENT
2	10" VENT	10" VENT	10" VENT	10" VENT
3	75" [1905]	78" [1975]	82" [2083]	86" [2178]
4 (Gas)	99" [2515]	102" [2591]	106" [2692]	110" [2784]
4 (Steam)	98" [2489]	100" [2540]	104" [2642]	108" [2740]
5	48" [1219]	47" [1194]	47" [1194]	47" [1194]
6	32" [813]	29" [737]	28" [711]	28" [711]
7	92" [2324]	92" [2324]	92" [2324]	92" [2324]
8	40" [1016]	40" [1016]	40" [1016]	40" [1016]
9	24" [610]	24" [610]	24" [610]	24" [610]
10	20" [508]	20" [508]	20" [508]	20" [508]
11	127" [3226]	127" [3226]	130" [3302]	130" [3302]
12	43" [1081]	43" [1081]	43" [1081]	41" [1029]
13	24" [610]	24" [610]	24" [610]	27" [673]
14	15" [381]	15" [381]	15" [381]	15" [381]
15	30" [762]	30" [762]	30" [762]	38" [953]

## A Complete Range of Separating, Feeding, Ironing, Folding and Sorting Options

In addition to the space-saving Tri-Star Series and CrosStar 36 machine, CHICAGO offers a complete line of flatwork separators, feeders, ironers and folders for a well-matched finishing package for any size installation.

Chicago's performance record is unmatched in thousands of installations in commercial, hospitality, health care, textile rental, institutional and on-premise laundries all over the world. An experienced Chicago professional will be pleased to make an objective equipment recommendation based on your production, space, utility

and budget requirements. Contact your local Chicago distributor or the factory sales assistance office for a no-obligation analysis of your needs.

Chicago's Customer Service department offers full technical and service support by telephone and on our website. We also offer overnight service for quick parts availability. Visit our website, [www.chidry.com](http://www.chidry.com), to learn more about our complete line of flatwork finishing systems, including video of Chicago® equipment in action.



**CHICAGO DRYER COMPANY**  
2200 North Pulaski Road  
Chicago, Illinois 60639-3737 USA

Phone • 773.235.4430  
Fax • 773.235.4439

Web • [www.chidry.com](http://www.chidry.com)  
Email • [chicago@chidry.com](mailto:chicago@chidry.com)