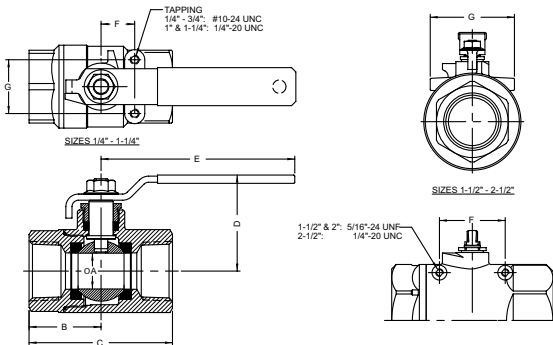


BALL VALVES

Ball Valves – Full Port

77-100 SERIES



HEAVY DUTY FULL PORT NPT PANEL MOUNT BALL VALVE

Designed for easy actuator mounting or panel mounting where highest Cv values are desired. RPTFE seats and stuffing box ring. Also available with 250 lb. steam trim option.

FEATURES

- Mounting pad
- ASTM B584 Bronze
- Blowout-proof stem design
- Adjustable packing gland
- Full flow, minimum pressure drop
- 600 CWP, non-shock pressure rating
- 150 SWP steam rating
- Chain lever kits available 3/4" - 2-1/2" (-16, -58)

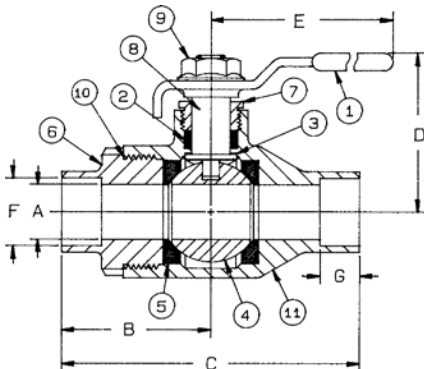
77 OPTIONS INCLUDE:

- 2-1/4" Stem Extension Latch Lock Lever (-27)
- Balance stop (-92)

Model Number	Size (in.)	Dimensions (in.)							Cv*
		A	B	C	D	E	F	G	
77-101-01	1/4	0.43	1.12	2.25	1.81	3.87	0.50	1.12	8.1
77-102-01	3/8	0.50	1.12	2.25	1.81	3.87	0.50	1.12	15
77-103-01	1/2	0.50	1.12	2.25	1.81	3.87	0.50	1.12	15
77-104-01	3/4	0.81	1.56	3.12	2.12	4.87	0.87	1.37	51
77-105-01	1	1.00	1.81	3.62	2.62	5.50	0.93	1.50	68
77-106-01	1-1/4	1.25	2.12	4.25	2.87	5.50	0.93	1.50	125
77-107-01	1-1/2	1.50	2.37	4.75	3.34	8.00	2.08	3.06	177
77-108-01	2	2.00	2.65	5.37	3.71	8.00	2.41	3.52	389
77-109-01	2-1/2	2.50	3.25	6.50	4.12	8.00	2.75	3.37	503

* The Cv factor is the gallons of water per minute that the valve will pass with 1 psig pressure drop.

77-200 SERIES



HEAVY DUTY FULL PORT SOLDER END BALL VALVE

Designed to be soldered into lines without disassembly. This allows a factory tested valve to be installed without disturbing the seats and seals. Designed for soft solder with melt points less than 500°F.

FEATURES

- Heavy duty cast bronze body
- Chromium plated ball
- Blowout-proof stem design
- Adjustable packing gland
- Full flow, minimum pressure drop
- 600 CWP, non-shock pressure rating
- 150 SWP

Model Number	Size (in.)	Dimensions (in.)						
		A	B	C	D	E	F	G
77-204-01	3/4	0.81	2.12	4.12	2.12	4.87	0.88	0.75
77-205-01	1	1.00	2.33	4.60	2.62	5.50	1.13	0.90
77-206-01	1-1/4	1.25	2.60	5.15	2.87	5.50	1.38	0.96
77-207-01	1-1/2	1.50	3.00	6.00	3.34	8.00	1.63	1.09
77-208-01	2	2.00	3.62	7.24	3.71	8.00	2.13	1.34
77-209-01	2-1/2	2.50	3.93	7.87	4.12	8.00	2.63	1.48