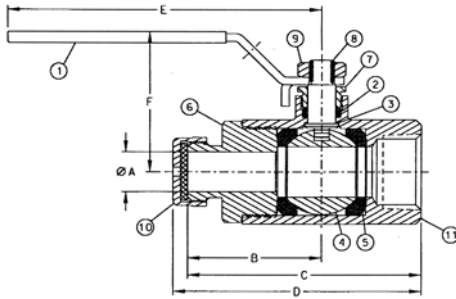
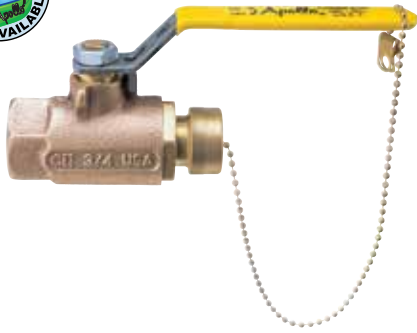


BALL VALVES

Specialty Valves

70-HC SERIES



CAP & CHAIN VALVE WITH 3/4 INCH HOSE CONNECTION, HEAVY BRASS CAP AND REVERSE HANDLE

Ideally suited for HVAC systems, these valves allow direct connections to hoses. Valve features a securely attached cover (includes chain) which prevents damage to hose threads. -200 model designed for soft soldering into lines without disassembly.

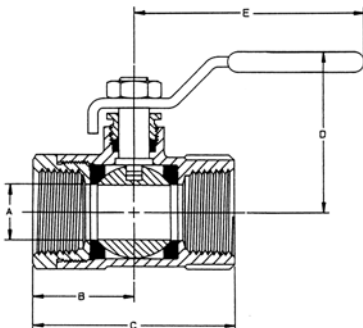
FEATURES

- Reverse lever is standard for easier installation
- Stainless steel lever & nut standard
- NPT and solder connections
- EZ-Solder™ Lead Free Bronze
- ASTM B584 Bronze
- Blowout-proof stem design
- RPTFE seats and stuffing box ring
- Adjustable packing gland
- Vacuum Service to 29 in. Hg
- Maximum pressure: 600 psi CWP
- Temperature rating: 200°F
- Full pressure rated brass hose cap
- Therma-Seal® insulating lever option (-11)
- Stainless Steel ball and stem option (70-24X-HC/70LF-24X-HC)

Model Number	LF Model Number	Size (in.)	Dimensions (in.)					
			A	B	C	D	E	F
70-103-HC	70LF-103-HC	1/2 NPT x 3/4 Hose	0.50	1.68	2.81	2.97	3.87	1.75
70-104-HC	70LF-104-HC	3/4 NPT x 3/4 Hose	0.68	1.96	3.50	3.67	4.87	2.12
70-105-HC	70LF-105-HC	1 NPT x 3/4 Hose	0.87	2.24	3.92	4.16	5.28	2.43
70-203-HC	70LF-203-HC	1/2 Solder x 3/4 Hose	0.50	1.68	3.14	3.28	3.89	1.75
70-204-HC	70LF-204-HC	3/4 Solder x 3/4 Hose	0.68	1.96	3.94	4.09	4.89	2.12

Regular Port Economy Ball Valves

32-100 SERIES



REGULAR PORT THREADED END BRONZE BALL VALVE

NPT threaded ball valve rated to 400 psig CWP, non-shock and 125 psig for saturated steam. Blowout-proof stem design with adjustable packing gland.

FEATURES

- ASTM B584 Bronze
- PTFE seats and MPTFE stuffing box ring

OPTIONS

- 2-1/4" stem extension (-04)
- Tee handle (-07)
- Round handle (-15)
- SS latch-lock lever & nut (-27)
- Balancing stop (-92)

Model Number	Size (in.)	Dimensions (in.)				
		A	B	C	D	E
32-101-01	1/4	0.37	0.80	1.60	1.65	2.87
32-102-01	3/8	0.37	0.80	1.60	1.65	2.87
32-103-01	1/2	0.40	1.00	2.00	1.68	2.87
32-104-01	3/4	0.65	1.20	2.41	1.90	3.87
32-105-01	1	0.75	1.55	3.09	2.18	4.87
32-106-01	1-1/4	1.00	1.72	3.44	2.53	5.50
32-107-01	1-1/2	1.12	1.93	3.87	2.69	5.50
32-108-01	2	1.50	2.17	4.37	2.94	5.50



For additional information, submittal sheets and manuals, visit www.apollovalves.com

Customer Service (704) 841-6000

REV. 10-9-14