

COMMERCIAL PRODUCTS CATALOG

"Safe" Solder/Braze Ball Valves (Two-Piece)

77-200-C8 SERIES

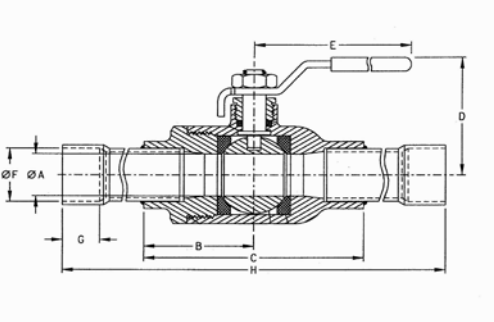


BRONZE FULL PORT BALL VALVE WITH 6" FEMALE COPPER EXTENSIONS (SOLDER CUP)

Solder end, 600 psig CWP, cold non-shock. Tube extensions allow valve to be brazed in-line without disassembly.

FEATURES

- ASTM B584 Bronze
- Adjustable packing gland
- RPTFE seats and stuffing box ring
- Blowout-proof stem design
- Full flow, minimum pressure drop



Model Number	Size (in.)	Dimensions (in.)							
		A	B	C	D	E	F	G	H
77-204-C8	3/4	0.81	2.12	4.12	2.12	4.87	0.88	0.75	16.12
77-205-C8	1	1.00	2.33	4.64	2.62	5.50	1.13	0.90	16.64
77-206-C8	1-1/4	1.25	2.60	5.15	2.87	5.50	1.38	0.96	17.15
77-207-C8	1-1/2	1.50	3.00	6.00	3.34	8.00	1.63	1.09	18.00
77-208-C8	2	2.00	3.62	7.24	3.71	8.00	2.13	1.34	19.24
77-209-C8	2-1/2	2.50	3.93	7.87	4.12	8.00	2.63	1.48	19.87

Ball Valves – Full Port – SAE Thread

77-900 SERIES

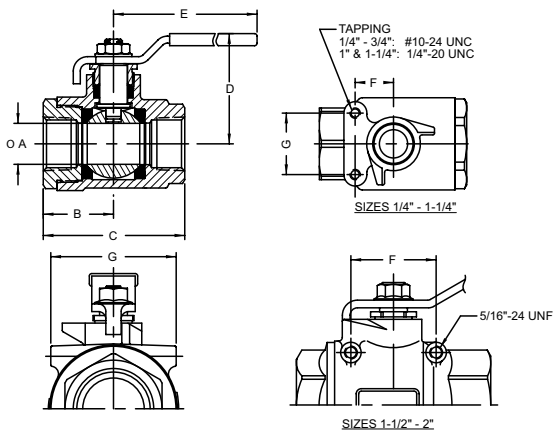


FULL PORT SAE STRAIGHT-THREAD BALL VALVES

Connections are designed for extended leak-free and energy saving performance in a broad range of applications, especially in manufacturing environments.

FEATURES

- 600 CWP non-shock
- ASTM B584 Bronze
- SAE J512/514 connections
- RPTFE seats & packing
- Blowout-proof stem and lever handle standard
- Drilled and tapped actuation pad standard



Model Number	Nom. Tube O.D. (in.)	Size (in.)	Dimensions (in.)						
			A	B	C	D	E	F	G
77-901-01	1/4	7/16-20	0.43	1.12	2.25	1.81	3.87	0.50	1.12
77-902-01	3/8	9/16-18	0.50	1.12	2.25	1.81	3.87	0.50	1.12
77-903-01	1/2	3/4-16	0.50	1.12	2.25	1.81	3.87	0.50	1.12
77-904-01	3/4	11/16-12	0.81	1.56	3.12	2.12	4.87	0.87	1.37
77-905-01	1	15/16-12	1.00	1.81	3.62	2.62	5.50	0.93	1.50
77-906-01	1-1/4	1-5/8-12	1.25	2.12	4.25	2.87	5.50	0.93	1.50
77-907-01	1-1/2	1-7/8-12	1.50	2.37	4.75	3.34	8.00	2.08	3.06
77-908-01	2	2-1/2-12	2.00	2.65	5.37	3.71	8.00	2.41	3.52