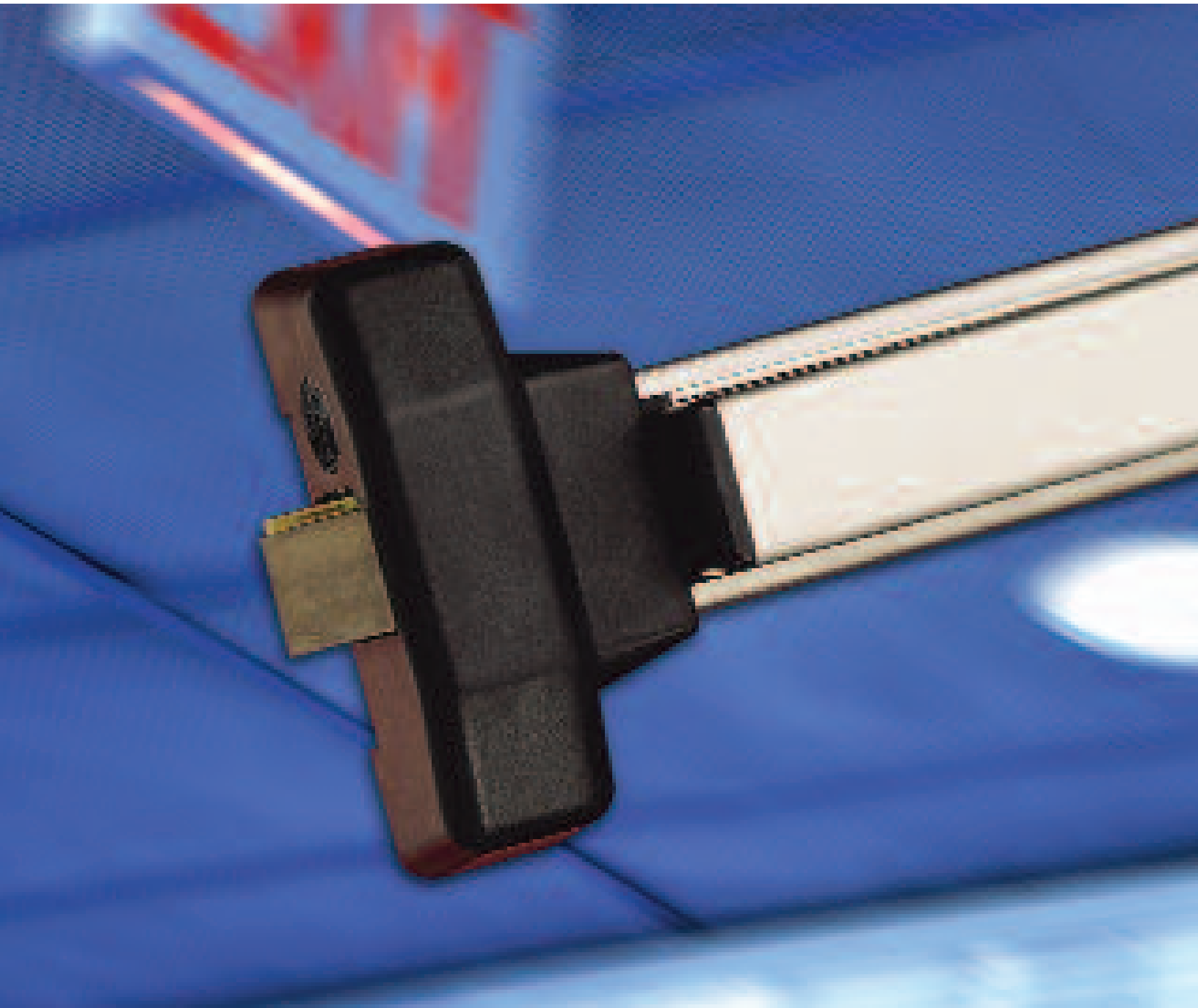


FALCON

*Falcon
Monarch
Dor-O-Matic*

Monarch 19 Series

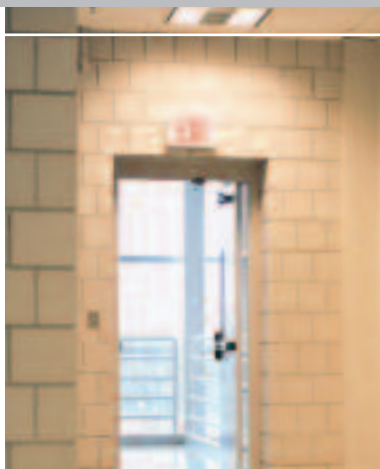
Touch Bar Exit Device



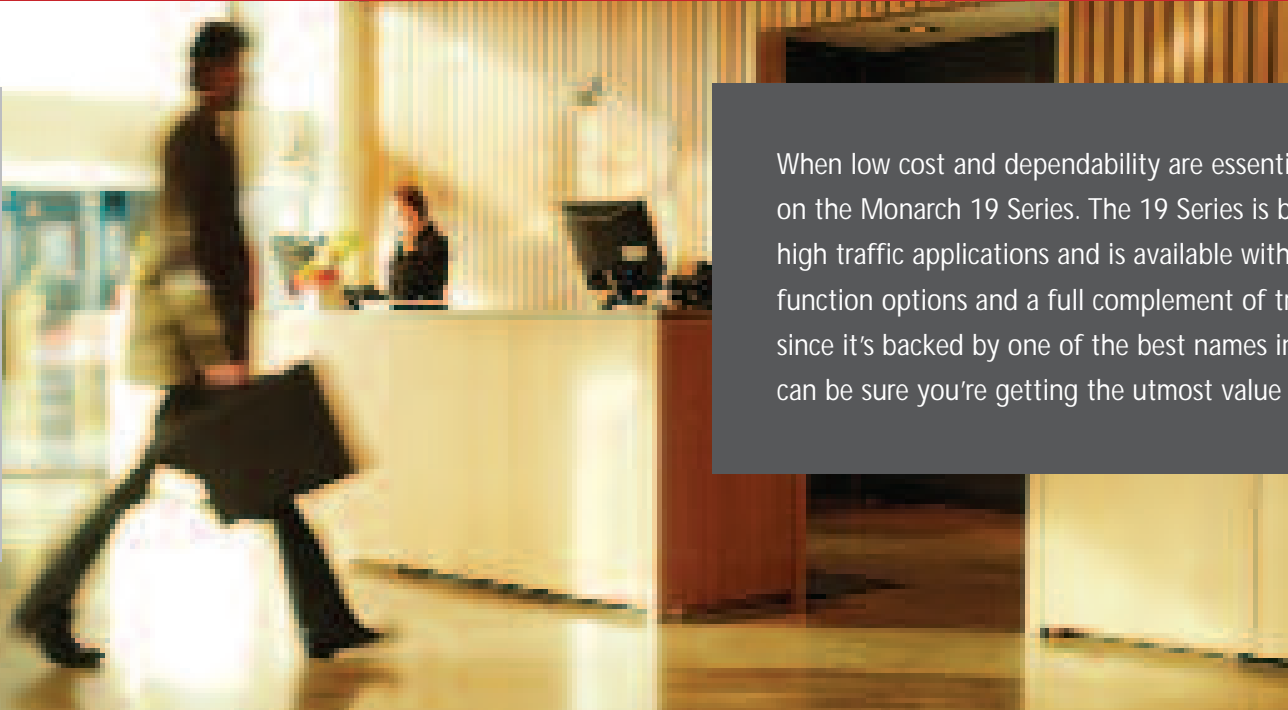
THE FALCON DIFFERENCE

S A F E T Y , S E C U R I T Y A N D U N C O M P R O M I S I N G V A L U E

At Falcon, we know that every product you sell not only has to meet local building codes, but also your expectations for performance and quality. We take your expectations seriously, and that's why we build our door hardware to deliver durability, convenience and unmatched value. After all, we've built our reputation on the same standards that you have – providing quality products at a reasonable price delivered on time. It's the way we do business and it's what makes Falcon door hardware a powerful choice no matter what your project.



MONARCH 19 SERIES



When low cost and dependability are essential, you can count on the Monarch 19 Series. The 19 Series is built to stand up in high traffic applications and is available with a wide variety of function options and a full complement of trim devices. And since it's backed by one of the best names in the business you can be sure you're getting the utmost value and reliability.

FEATURES



- ANSI Grade 1 rating**
- Optional "B" label (1-1/2-hour) fire exit construction**
- Available with a full complement of trims**

ADDITIONAL INFORMATION

How to Order Sequence Example

F 19 V L-DANE US32D 3' LHR LBR SNB WD

Prefixes

CD	Cylinder Dogging
AE	Touchbar Request to Exit
DM	Latchbolt and Device Monitor Switch
KOR	Key Bypass Switch
LK	Locking Trim Monitor Switch
LM	Latchbolt Status Switch
ED	Electric Dogging

Rating

F	Fire Exit Hardware
Blank	Panic Exit Hardware

Device Series

19	Touch Bar Device, Narrow Stile
----	--------------------------------

Device Type

R	Rim
V	Surface Vertical Rod

Trim Function *(see Trim pages for all functions)*

EO	Exit Only	K	Knob
DT	Dummy Trim	L	Lever (Dane Standard)
NL	Night Latch	TL	Thumb Lever
C	Cylinder Trim Less Pull	KIK	Key in Knob
TP	Thumbpiece	KIK	Key in Lever

Finish

US32D	SP28	SP313
-------	------	-------

Door Width

3'	Standard Default	2'	9" Touchbar
4'		2'5"	14" Touchbar
-	Specify Exact Door Width	3'6"	20" Touchbar

Handing

RHR	Right Hand Reverse
LHR	Left Hand Reverse

Less Bottom Rod

LBR	Less Bottom Rod
LBR-AFL	LBR w/Auxiliary Fire Latch

Other Device Options

EA	Exit Alarm	RBB	Round Bottom Bolt	SSTB	Stainless Steel Touch Bar
HWEA	Hard Wired Exit Alarm	VRP	Black Pad on Touch Bar	TAC	Tactile Warning

Accessories

CYL	Cylinder	SNB	Sex Bolts
SK	Shim Kit	AMS	All Machine Screws

Other Miscellaneous Door Information

HMD	Hollow Metal Door	SCDC	Steel Channel Door Construction	-	Door Label (20 min, 45 min, 90 min 1-1/2 hr)
HMF	Hollow Metal Frame	-	Specify other Door or Frame	-	Stile Width
WD	Wood Door	-	Material information	-	Frame Stop Height
WDF	Wood Frame	-	Door Height	SGL	Single Door
ALD	Aluminum Door	-	Door Thickness	PR	Pair of Doors Swinging Same Direction
ALF	Aluminum Frame	-	Door Undercut		

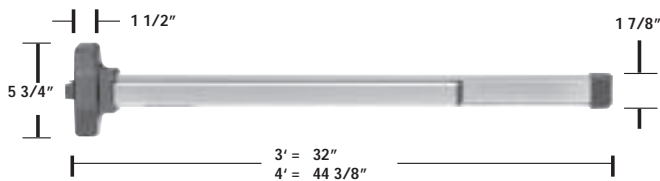
DOOR APPLICATION

Door Thickness

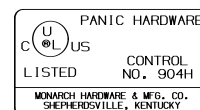
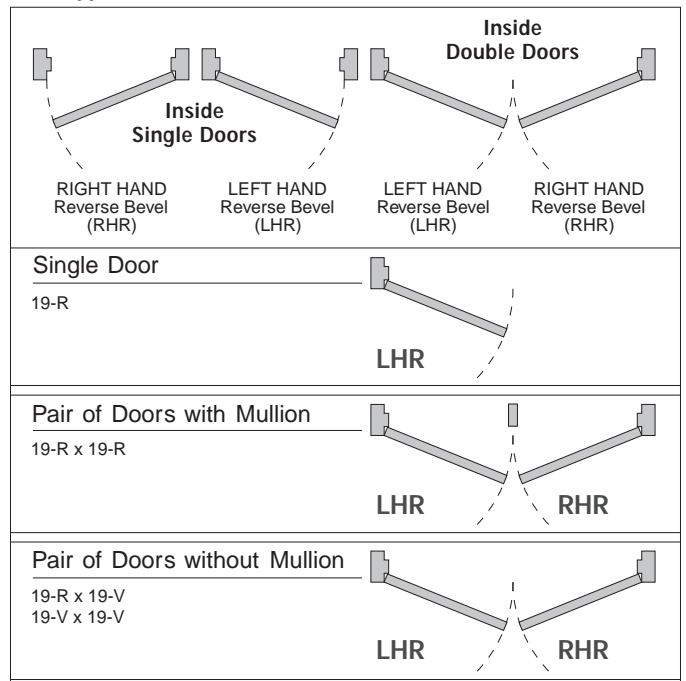
All devices and components supplied for 1 3/4" doors standard. Specify door thickness if other than 1 3/4".

DEVICE	Label	Door Opening	Application
Hollow Metal Door			
F-19-R	1 1/2 hr. "B"	4' x 7'2" 8' x 7'2"	Single, pair, same egress w/ F-4023 mullion and KR-F-4023
F-19-V	1 1/2 hr. "B"	8' x 10'	Pair, double egress, same egress
F-19-V-LBR	1 1/2 hr. "B"	8' x 8'	Pair, double egress, same egress
Wood Door			
F-19-V-LBR	20 min.	8' x 8'	Wood or comp., pair, double egress, same egress
F-19-R	1 1/2 hr. "B"	4' x 7'2" 8' x 7'2"	Single, pair, same egress w/ F-4023 mullion and KR-F-4023

Device Dimensions:



Door Application Chart

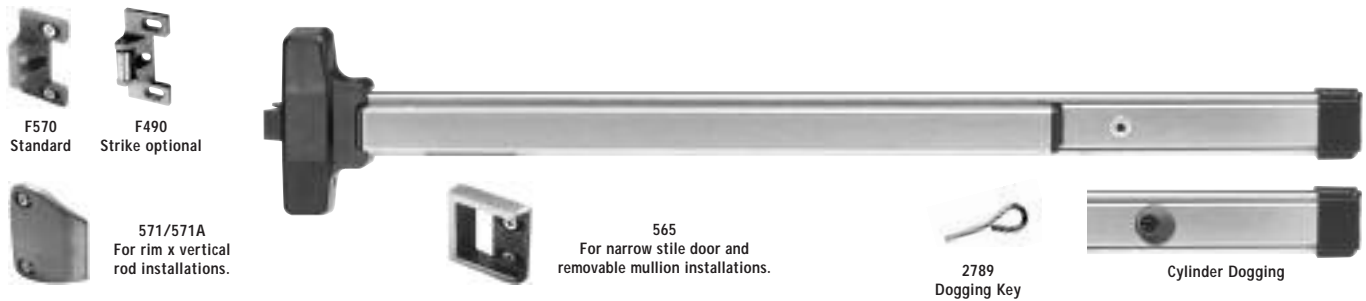


Product information and specifications contained in this catalog are subject to change without notice. Please consult the factory.

NON-HANDED RIM DEVICE 19-R SERIES

Panic Exit Hardware

The Monarch 19-R Series rim device that delivers superior panic hardware with modern touchbar styling. This non-handed device covers a 161 cutout and may be used on 1¾" narrow stile aluminum doors. The "EO" (Exit Only) device is ready to accept any trim function shown on page 12.

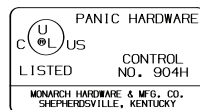


DEVICE & TRIM	ANSI Type	ANSI Function
19-R-EO	1 or 4	01
19-R-DT	1 or 4	02
19-R-NL	1 or 4	03
19-R-TP	1 or 4	05
19-R-TP-NL	1 or 4	06
19-R-K (or L or KIL)	1 or 4	08
19-R-K-NL (or L-NL or KIL-NL)	1 or 4	09

Note: For blank escutcheon specify BE.

Specifications

Hand:	Non-Handed.
Functions:	All functions built into "EO" device. All 19 Series trim works with rim or vertical devices. See Trim Selection Chart on pages 12 and 13.
Finishes:	Powder-coated aluminum-SP28; powder-coated duranodic-SP313; stainless steel US-32D.
Strikes:	F570 standard. 565, 571/571A, F490 optional.
Latchbolt:	Stainless steel, ¾" throw.
Deadlocking Latchbolt:	Standard.
Dogging Feature:	½ turn hex dogging standard. No threaded parts to wear out.
Cylinder Dogging:	Specify "CD" prefix. Use 1⅝" long mortise cylinder with standard "A" cam.
Stock Sizes:	3'0" and 4'0". (See chart on page 15.)
Doors:	1¾" thick, wood or metal. Specify thickness if other than 1¾".
Narrow Stile Doors:	Specify 565 strike. (See chart on page 15.)
Projection:	2½" maximum; 1⅞" dogged.
Electric Function:	Can be interfaced with building security system. Security monitoring, electric dogging, exit indicator, and exit alarm available. (See separate electrical brochure.)
Fasteners:	All mounting screws are concealed. Furnished with sheet metal screws. Machine screws available, specify AMS.
Sex Bolts:	3-#4122 (¼-20) SNB standard.
ANSI:	Certified ANSI A156.3-2001 Grade 1 standards.
Shim Kit:	For glass lite applications; ¼" thick specify SK 19-R-¼".
161 Cutout:	Device covers 161 cutout with KIK/KIL and Centron trims. Other trim requires cover plate.



NON-HANDED RIM DEVICE F-19-R SERIES

🔥 Fire Exit Hardware

The F-19 Rim 🔥 fire exit device is an excellent addition to the touchbar. This device is non-handed and is listed by UL for B label fire door installations on 4'0" x 7'2" single doors and/or 8'0" x 7'2" double doors with an F-4023 removable mullion or KRF-4023. The "EO" (Exit Only) device is ready to accept any trim function shown on page 12.



DEVICE & TRIM	ANSI Type	ANSI Function
F-19-R-EO	1 or 4	01
F-19-R-NL	1 or 4	03
F-19-R-TP	1 or 4	05
F-19-R-TP-NL	1 or 4	06
F-19-R-K (or L or KIL)	1 or 4	08
F-19-R-K-NL (or L-NL or KIL-NL)	1 or 4	09

Note: For blank escutcheon specify BE.

Specifications

UL:	"B" label (1½ hr.): 4'0" x 7'2".
Functions:	All functions built into "EO" device. All 19 Series trim works with rim or vertical devices. See Trim Selection Chart on pages 12 and 13.
Finishes:	Powder-coated aluminum-SP28; powder-coated duranodic-SP313; stainless steel US-32D.
Strikes:	Stainless steel, F570 or F490.
Latchbolt:	Stainless steel, ¾" throw.
Deadlocking Latchbolt:	Standard.
Stock Sizes:	3'0" and 4'0". (See chart on page 15.)
Doors:	1¾" thick, wood or metal. Specify thickness if other than 1¾". (SNB must be specified on wood or composite doors.)
Projection:	2½" maximum.
Electric Function:	Can be interfaced with building security system. Security monitoring, electric dogging, exit indicator, and exit alarm available. (See separate electrical brochure.)
Fasteners:	All mounting screws are concealed. Furnished with all machine screws.
Sex Bolts:	When used with wood, composite or non-reinforced Hollow Metal, sex bolts must be specified, 3-#4122 (¼-20) SNB standard. An additional 2-#2729 (10-24) SNB must be specified.
ANSI:	Certified ANSI A156.3-2001 Grade 1 standards.
Shim Kit:	For glass lite applications; ¼" thick specify SK 19-R-¼".
161 Cutout:	Device covers 161 cutout with KIK/KIL and Centron trims. Other trim requires cover plate.



REVERSIBLE VERTICAL ROD DEVICE 19-V SERIES

Panic Exit Hardware



3788
Strike

Manufactured to the same exacting standards as the 19 Rim, the 19-V Exit Device complies with most exit door requirements, and is fully reversible and surface applied. This device is regularly furnished with deadlocking top latch with latch retention and square bolt at bottom. The "EO" (Exit Only) device is ready to accept any trim function shown on page 12.

DEVICE & TRIM	ANSI Type	ANSI Function
19-V-EO	2 or 5	01
19-V-DT	2 or 5	02
19-V-NL	2 or 5	03
19-V-TP	2 or 5	05
19-V-TP-NL	2 or 5	06
19-V-K (or L)	2 or 5	08
19-V-K-NL (or KIL)	2 or 5	09

Note: For blank escutcheon specify BE.



Latch retention hold is in the top latch. Retainer is released when it engages the strike.



Cylinder Dogging



2789
Dogging Key



2130
Strike

Specifications

Hand:	Field reversible.
Functions:	All functions built into "EO" device. All 19 Series trim works with rim or vertical devices. See Trim Selection Chart on pages 12 and 13.
Finishes:	Powder-coated aluminum-SP28; powder-coated duranodic-SP313; stainless steel US-32D.
Strikes:	3788 strike is surface applied standard, 2130 strike is mortised into floor.
Angle Bracket:	Use 4215 angle bracket in flush transom or rabbeted installations. Allows use of standard 3788 strike.
Latchbolt:	Top stainless steel 3/4" throw. Bottom square bolt 1/2" throw.
Deadlocking Latchbolt:	Standard.
Dogging Feature:	1/2 turn hex dogging standard. No threaded parts to wear out.
Cylinder Dogging:	Specify "CD" prefix. Use 1 1/8" long mortise cylinder with standard "A" cam.
Stock Sizes:	3'0" and 4'0". (See chart on page 15.)
Doors:	1 3/4" thick, wood or metal. Specify thickness if other than 1 3/4".
Narrow Stile Doors:	To 1 3/4" N.S. aluminum. With control trim-2 1/4" min. stile.
Projection:	2 1/2" max., 1 7/8" dogged.
Electric Function:	Can be interfaced with building security systems. Security monitoring, electric dogging, exit indicator, and exit alarm available.
Fasteners:	All mounting screws are concealed. Furnished with sheet metal screws. Machine screws available, specify AMS.
Sex Bolts:	3-#4122 (1/4"-20) SNB standard. Hollow core wood, light gauge Hollow Metal, etc. require additional sex bolts. 19-V: 6-#2729 #10-24 SNB; 19-V-LBR: 3-#2729 #10-24 SNB
ANSI:	Certified ANSI A156.3 2001 Grade 1 standards.
19-V:	Latch retention and 3788 strike top, deadbolt and 2130 flush strike bottom.
19-V-LBR:	3788 strike top.
Vertical Rods:	Furnished to length based on 40 3/16" horizontal CL from finished floor and a 7'0" door standard. Variations from these standards must be specified when ordering.
Shim Kit:	For glass lites applications; 1/4" thick specify SK-19-V-1/4".
161 Cutout:	Device covers 161 cutout with KIK/KIL and Centron trims. Other trim requires cover plate.



REVERSIBLE VERTICAL ROD DEVICE F-19-V SERIES

Fire Exit Hardware



3788
Strike

Manufactured to the same exacting standards as the F-19 Rim, the F-19-V Fire Exit Device complies with most exit door requirements, and is fully reversible and surface applied. This device is regularly furnished with deadlocking top latch retention and square bolt at bottom. (This device is listed by UL for B label fire door installations.) The "EO" (Exit Only) device is ready to accept any trim function shown on page 12.

DEVICE & TRIM	ANSI Type	ANSI Function
F-19-V-EO	2 or 5	01
F-19-V-DT	2 or 5	02
F-19-V-NL	2 or 5	03
F-19-V-TP	2 or 5	05
F-19-V-TP-NL	2 or 5	06
F-19-V-K (or L or KIL)	2 or 5	08
F-19-V-K-NL (or L-NL or KIL-NL)	2 or 5	09

Note: For blank escutcheon specify BE.

Specifications

Hand:	Field reversible.
Functions:	All functions built into "EO" device. All 19 Series trim works with rim or vertical devices. See Trim Selection Chart on pages 12 and 13.
Finishes:	Powder-coated aluminum-SP28; powder-coated duranodic-SP313; stainless steel US-32D.
Strikes:	3788 strike is surface applied. 2130 strike is mortised into floor.
Latchbolt:	Top stainless steel 3/4" throw. Bottom square bolt 1/2" throw.
Deadlocking Latchbolt:	Standard.
Stock Sizes:	3'0" and 4'0". (See chart on page 15.)
Doors:	1 3/4" thick, wood or metal. Specify if other than 1 3/4" thick.
Projection:	2 1/2" maximum.
Electric Function:	Can be interfaced with building security systems. Security monitoring, electric dogging, exit indicator, and exit alarm available.
Fasteners:	All mounting screws are concealed. All machine screws standard.
Sex Bolts:	3-#4122 (1/4-20) SNB standard. Composite or non-reinforced wood, Hollow Metal require additional sex bolts. F-19-V: 6-#2729 #10-24 SNB; F-19-V-LBR: 3-#2729 #10-24 SNB
ANSI:	Certified ANSI A156.3-2001 Grade 1 standards.
F-19-V:	Latch retention and 3788 strike top deadbolt and 2130 flush strike bottom.
F-19-V-LBR:	Latch retention and 3788 strike top.
Vertical Rods:	Furnished to length based on a 40 3/16" horizontal CL from finished floor and a 7'0" door standard. Variations from these standards must be specified when ordering.
Shim Kit:	For glass lites applications; 1/4" thick specify SK-19-V-1/4".
161 Cutout:	Device covers 161 cutout with KIK/KIL and Centron trims. Other trim requires cover plate.



Latch retention hold is in the top latch. Retainer is released when it engages the strike. The door is in the closed position.



2130
Strike



F-4023 Shown

Removable Mullion

- The 2923, (F)4023 and (F)KR4023 steel mullions are for use with the 19-R devices on double door openings. Advantage: Increased security and tighter closure. Minimizes door warpage and sag. Regulates the flow of in-and-out traffic.
- Monarch removable mullions are easily removed and reinstalled for full width access.
- Rim devices are used on both leaves, attaining a perfectly symmetrical opening.
- The mullion assembly consists of a mullion, top and bottom mounting brackets and a screw pack. Soffit adapters are available for use with either the 2923 or the 4023 mullion. Please see Price Book for ordering information.
- The (F)-4023 and KR(F)-4023 fire-rated mullion also includes four stabilizer blocks as required for labeled installations.
- Strikes are not furnished with the mullion. Please see page 11 for strike information.
- Mullions may be cut on the job for doors under stock lengths.
- KR mullions require 1½" mortise cylinder with standard "A" cam.

Mullion Features

- Mullion fittings – ductile iron.
- (F)4023 and KR(F)4023 – 2" x 3" x height.
- 2923 mullion – 1½" x 2½" x height.
- Prime coat only.
- 7' or 8' door opening standard, other door opening as specified.

Cylinders

Control Trim

- Cylinders for control trim use 1½" mortise cylinder with standard "A" cam (cam measures approximately 1" overall and ⅝" wide at tip), except NL Control which uses rim cylinder with either horizontal or vertical tailpiece.
- Cylinder supplied only when specified. (1¼" long and "C" keyway standard.)
- Cylinders available keyed alike and keyed different.

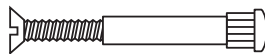
Centron Trim

- Rim cylinder.

Sex Bolts

Sex bolts are available for 1¼" door thickness. Screws to fit are available in ¾" and 2" lengths to cover a wide range of door thicknesses.





2729 (#10-24 Thread)
4122 (1/4-20 Thread)







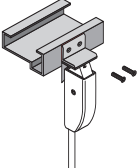

STRIKES AND ACCESSORIES

Strikes

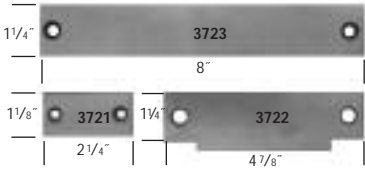
For (F) 19-R Rim Devices (center latching)

 <p>F570 Standard strike.</p>	 <p>F490 Optional strike.</p>	 <p>565 Adjustable surface mounted for use with blade or applied stops. Mounts flush for 1/2" stop height.</p>
 <p>571/571A Used on inactive leaf for device on active leaf of pair of doors without removable mullion. 571 keeps 2 5/8" backset. 571A is trimmer and projects less into opening.</p>		

For (F) 19-V Surface Vertical Rod Devices

 <p>3788 Top strike for 19-V.</p>	 <p>2130 19-V bottom strike for grouting into concrete or masonry floors.</p>	 <p>4155 19-V optional bottom strike.</p>
 <p>2126A 19-V optional bottom strike.</p>	 <p>4215 Angle bracket for 19-V devices flush transom applications. Does not require elimination of latch retention feature.</p>	 <p>Extension Rods Extension rods are available in 12", 24" and 36" lengths in all finishes. Both ends tapped and all-thread included as connector.</p>









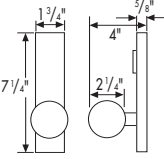
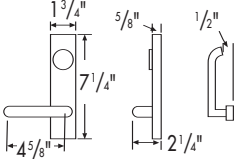
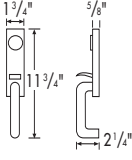
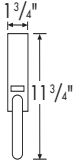
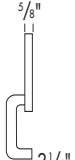
Filler Plates

 <p>1 1/4" 3723 8" 3721 1 1/4" 3722 2 1/4" 4 7/8"</p>	<p>3721/3722/3723 Steel Filler Plates 3721 Cylindrical Lock Front Filler 3722 ASA Strike Filler - set no. SC for 161 cutout 3723 Mortise Lock Front Filler 3722 ASA Strike Filler - set no. SM for 86 cutout</p>
--	---




TRIM DESIGNS

Control Trim

SP28, SP313 and US-32D.


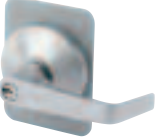
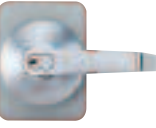
K-Control	L-Control				TP-Control	DT-Control	NL-Control
 <p>911K BE K-DT NL</p>	 <p>L-Control-Avalon 912L BE L-DT NL</p>	 <p>L-Control-Dane 912L BE L-DT NL</p>	 <p>L-Control-Sutro 912L BE L-DT NL</p>	 <p>L-Control-Quantum 912L BE L-DT NL</p>	 <p>910TP BE NL</p>	 <p>910DT Pull when dogged.</p>	 <p>910NL Key retracts latchbolt.</p>
 <p>Key locks or unlocks trim. Knob retracts latchbolt when trim is unlocked.</p>	 <p>Lever Projection: Quantum = 3" Sutro = 2 1/8" Dane = 2 1/8"</p> <p>Key locks or unlocks trim. Lever retracts latchbolt when trim is unlocked. Dane, Quantum and Sutro levers return to within 1/2" of door.</p>				 <p>Key locks or unlocks trim. Thumbpiece retracts latchbolt when trim is unlocked.</p>		

Cover Plates


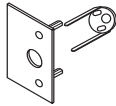

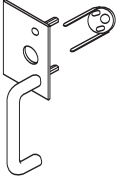

 <p>4167 3 1/4" x 15" x .050 Used with TP control & DT control Covers 161 & 86 cutouts</p>	 <p>4168 3 1/4" x 7 1/2" x .050 Used with EO device to cover No. 86 cutout for mortise lock</p>	 <p>4170 3 1/4" x 7 1/2" x .050 Used with K control, DT/K control, L control, or DT/L control Covers 161 & 86 cutouts</p>
--	---	---

For type 86 cutout specify 4174 inside cover plate.


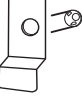
Key-In-Knob/Key-In-Lever

 <p>913</p>	 <p>914KIL</p>	 <p>914-KIL-IC</p>
---	--	--

Centron Trim

 <p>930 EO</p>	 <p>930 C</p>	 <p>930 DT</p>	 <p>930 NL</p>	 <p>PULL ONLY 917 DT CTC - 5/8" Round - 3/4" dia. Pull when dogged</p>
--	---	--	--	--

Trident Trim

 <p>920 DT</p>	 <p>920 NL</p>
--	--

TRIM CHART

Control							
DEVICE	DT	NL	TP	T-BE	K	K-BE	K-DT
19-R/19-V	910	910	910	910	911	911	911

DEVICE	Avalon*			Dane*			Sutro*			Quantum*		
	L	L-BE	L-DT	L	L-BE	L-DT	L	L-BE	L-DT	L	L-BE	L-DT
19-R/19-V	912	912	912	912	912	912	912	912	912	912	912	912

KIK & KIL							
DEVICE	KIK	KIK-LS/LK	KIK-NL	KIL*	KIL-LS/LK ¹	KIL-NL*	KIL-IC*
19-R/19-V	913	913	913	914	914	914	914

DEVICE	Trident Trim		Centron		
	NL	DT	C	DT	NL
19-R/19-V	920	920	930	930	930

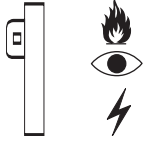
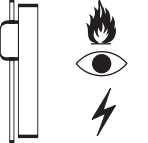
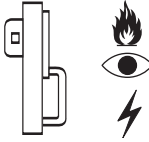
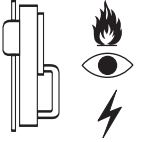
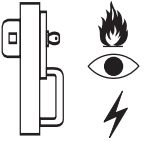
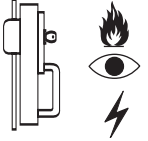
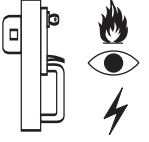
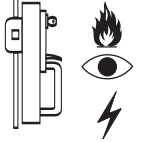
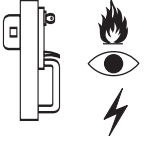
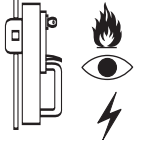
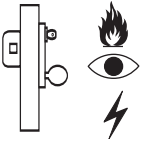
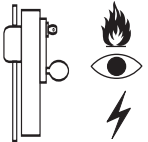
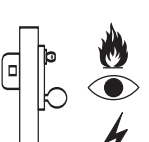
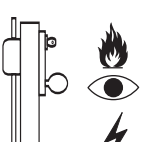
*Specify hand.


Note: For "NL" night latch function on TP, K and L add "NL" after trim number.


All locking trim except KIK and KIL furnished less cylinder.


TYPE AND FUNCTIONS

These pages list all functions available for the 19 Series devices.

	Rim Devices ANSI Type 1& ANSI Type 4	Vertical Rod Devices ANSI Type 2 & ANSI Type 5	
Functions (ANSI)	(F)-19-R	(F)-19-V	
EO or N (01) Exit only, no trim.	 19-R-EO	 19-V-EO	
DT (02) Entrance by trim when actuating bar is dogged down.*	 19-R-DT	 19-V-DT	
NL (03) Entrance by trim when latchbolt is retracted by key. Key removable only when locked.	 19-R-NL	 19-V-NL	
TP (05) Entrance by thumbpiece. Key locks or unlocks thumbpiece.	 19-R-TP	 19-V-TP	
TP (NL) (06) Entrance by thumbpiece only when released by key. Key removable only when locked.	 19-R-TP(NL)	 19-V-TP(NL)	
K or L or KIK or KIL (08) Entrance by knob or lever. Key locks or unlocks knob.	 19-R-K or L or KIK or KIL	 19-V-K or L or KIK or KIL	
K(NL) or L(NL) (09) or KIK(NL) or KIL (NL) Entrance by knob or lever only when released by key. Key removable only when locked.	 19-R-K (NL) or L(NL) or KIK(NL) or KIL(NL)	 19-V-K (NL) or L(NL) or KIK(NL) or KIL(NL)	

 **Fire Exit Hardware** Use "F" prefix for fire exit hardware.

 **Security Monitor** Latch, device, and authorized egress monitors. (See Electrified Hardware catalog.)

 **Electric Function** Electric dogging. (See Electrified Hardware catalog.)

*Fire exit devices cannot be dogged down. Some codes permit electric dogging with fail secure circuitry.

TYPE AND FUNCTIONS

Double Doors

DEVICE & TRIM	Length	Top Strike	Bottom Strike	Min. Stile	Door Opening Width
(F) 19-V	3'0"	3788	2130	3½"	2'5¼" TO 3'0"
(F) 19-V	4'0"	3788	2130	3½"	3'0" TO 4'0"

Note: For (F-) 19-V-LBR use "V" information less bottom strike.

F-19-V-LBR requires use of auxiliary fire latch.

Single Doors with ⅝" Stop

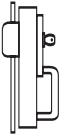
DEVICE & TRIM	Length	Strike	Min. Stile	Door Opening Width
19-R	3'0"	F570 565	3½" 1¾"*	2'5¼" TO 3'0" 2'4¾" TO 2'9¼"
F-19-R	3'0"	F570	3½"	2'5¼" TO 3'0"
19-R	4'0"	F570 565	3¾" 1¾"*	3'0" TO 4'0" 3'0" TO 3'9¾"
F-19-R	4'0"	F570	3¾"	3'0" TO 4'0"

*For EO, O with pull and NL functions only. 2-1/4" minimum stile required for control trim.

Dimensions:

- Recommended height from finished floor – 40⅝" at CL.
- Touchbar Projections: Neutral - 2½", Depressed – 1⅝"
- Extension rods or longer top rods available upon request. Specify door height.
- Dummy touchbar available. Specify 190 DT 3' or 4'. Overall length: 3': 30½" 4': 42⅝"
- Changes for minimum door size for charts on left: For cylinder dogging, add 2¼" to minimum door size. For exit alarm, add 4½" to minimum door size. For electric dogging, add 4½" to minimum door size.
- To fit on smaller door consult factory.

Double Doors with Mullion



DEVICE & TRIM	Length	Strike	Min. Stile	Door Opening Width	Fire	Mullion	Panic
19-R	3'0"	F570	3½"	2'5¼" TO 3'0"	–	2923 ¹	
			3¾"		–	4023/KR4023	
		565	3⅛"	2'4¾" TO 2'9¼"	–	2923 ¹	
			3⅜"		–	4023/KR4023	
F-19-R	3'0"	F-570	3¾"	2'5¼" TO 3'0"	(F)4023 KR(F)4023	– –	
19-R	4'0"	F570	3½"	3'0" TO 4'0"	–	2923 ¹	
			3¾"		–	4023/KR4023	
		565	3⅛"	3'0" TO 3'9¾"	–	2923 ¹	
			3⅜"		–	4023/KR4023	
F-19-R	4'0"	F-570	3¾"	3'0" TO 4'0"	(F)4023 KR(F)4023	– –	

¹ To cover 161 cutout on double door installation, specify 2923 mullion with 565 strike.





Ingersoll Rand's Security Technologies Sector is a leading global provider of products and services that make environments safe, secure and productive. The Sector's market-leading products include electronic and biometric access control systems; time and attendance and personnel scheduling systems; mechanical locks and portable security, door closers and exit devices, steel doors and frames, architectural hardware and technologies and services for global security markets.

www.falcon.ingersollrand.com