

"T" Pilot

Watson McDaniel reserves the right to change the designs and/or materials of its products without notice.
©2010 Watson McDaniel Company

Temperature Pilot for HD Regulating Valves

PILOT-OPERATED REGULATING VALVES

Temperature Pilot

- **Max Inlet Pressure: 300 PSIG**
- **Temperature Control Range: 60-260 °F**
- **Minimum Inlet Pressures:**
 - 15 PSIG** when used with standard main valve
 - 5 PSIG** when low pressure temperature pilot is used with low pressure main valve

Low Pressure Temperature Pilot must be used in conjunction with a low pressure main valve for applications where inlet steam pressure is less than 15 PSIG. SPECIFY WHEN ORDERING.



TYPICAL APPLICATIONS

The "T" Temperature Pilot is used with the HD regulator to control temperature in various processes and systems. Some examples are:

- Oil heaters
- Process heaters
- Dryers
- Ovens
- Vats
- Jacketed Kettles

FEATURES

- Temperature adjustment made simple and easy by rotating an adjustment knob to the desired temperature setting
- Thermostatic sensing bulb comes with an 8-ft. or 15-ft. length capillary
- Capillary is armor-protected to resist damage
- Overheat protection bellows is incorporated into sensing bulb; 200°F overheat protection up to 350°F
- Full port strainer and blowdown valve on pilot adapter for ultimate protection from dirt and scale

OPTIONS

- Temperature Pilot can be combined with Pressure and Solenoid pilots
- Additional capillary lengths can be ordered in 5-ft. increments; up to 25-ft. maximum length
- Wells* for isolating sensing bulb from process liquid are available in 316 stainless steel or brass
- Extended length wells are available
- 316 Stainless Steel Sensing Bulb
- Other options available; consult factory

*** Thermowells:**
Wells isolate sensing bulb from the process liquid and are available in Brass or Stainless Steel. When placed on the side of a tank or vessel, the sensing bulb can be removed without having to drain the process fluid.

TEMPERATURE-ADJUSTING RANGES

Temperature Ranges*	Identifying Colors
60 - 120 °F (16 - 49 °C)	yellow
100 - 160 °F (38 - 71 °C)	black
120 - 180 °F (49 - 82 °C)	blue
160 - 220 °F (71 - 104 °C)	red
200 - 260°F (93 - 127 °C)	green

* Other ranges available; consult factory.

MATERIALS

Body	Ductile Iron/Cast Steel
Head & Guide	Stainless Steel
Seat	Stainless Steel
Sensing Bulb:	
T	Copper Bulb
TU	Copper Bulb w/Brass Union Hub
TUBW	Copper Bulb w/Brass Well
TUSW	Copper Bulb w/Stainless Steel Well
TBW	Copper Bulb w/Brass Well & Grommet
TSW	Copper Bulb w/Stainless Steel Well & Grommet

Pressure & Temperature Pilot combination

Controls downstream pressure and process temperature, eliminating the need for a separate pressure regulator



"T" Pilot

Temperature Pilot for HD Regulating Valves

PILOT-OPERATED REGULATING VALVES

SENSING BULBS AVAILABLE

Units: inches

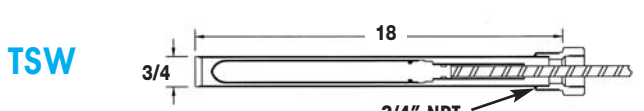
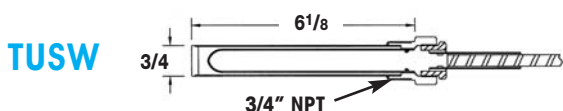
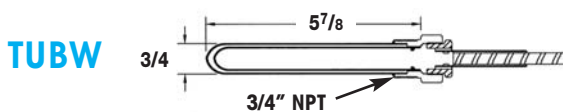
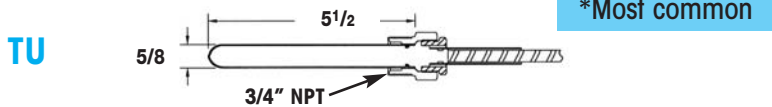
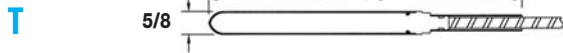
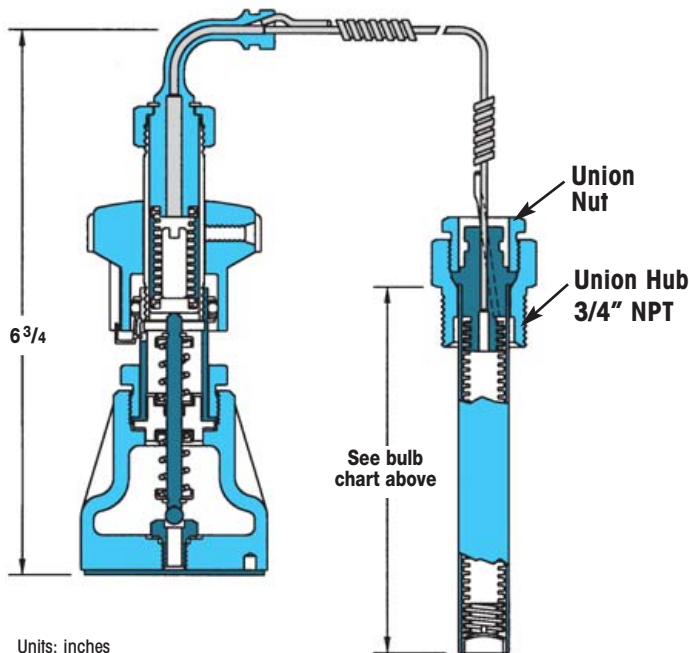


Diagram below shows "T" Pilot TU Option for Bulb



Units: inches

- T** Plain copper bulb
 - TU** Union connected copper bulb that can be screwed into the side of tank
* most common selection
 - TUBW** Type TU bulb with a **brass well**. The well, which isolates bulb from process fluid, can be placed in the side of a tank allowing the sensing bulb to be removed without having to drain the tank of liquid
 - TUSW** Type TU bulb with a corrosion resistant **stainless steel well**. The well, which isolates bulb from process fluid, can be placed in the side of a tank allowing the sensing bulb to be removed without having to drain the tank of liquid
 - TBW** Type T bulb with an **extended length brass well**. The extended well allows deeper insertion of sensing bulb into tanks.
 - TSW** Type T bulb with **extended length stainless steel well**. The extended well allows deeper insertion of sensing bulb into tanks.
- Other options available; consult factory.**

HOW TO ORDER

"T" TEMPERATURE PILOT

Specify:

- Temperature range from the chart or indicate the temperature of the process you wish to control
- The length of capillary required; 8-ft. is standard
- Bulb type needed:
T, TU, TUBW, TUSW, TBW & TSW

Example: **TU, 8 FT CAP, 60-120°F, yellow**

REGULATOR BODY

Specify:

- HD regulator body
- Regulator size or capacity of steam required
- End connections (threaded, 150/300# flanged)

MINIMUM OPERATING PRESSURES

Minimum Inlet Pressure:

- 15 PSIG** (Standard Main Valve)
- 5 PSIG** (Low Pressure Main Valve with Low Pressure Temperature Pilot)

Low Pressure Temperature Pilot must be used in conjunction with a Low Pressure Main Valve for applications where inlet steam pressure is below 15 PSIG. SPECIFY WHEN ORDERING.