

1720E Low Range Turbidimeter

Turbidity

Features and Benefits

USEPA Reporting

The 1720E Low Range Turbidimeter applies the instrument design and meets performance criteria established by the U.S. Environmental Protection Agency (USEPA) in Method 180.1, making it suitable for regulatory reporting.

Accuracy

Continuously flowing sample flows through the patented* bubble removal system, which vents entrained air from the sample stream and eliminates the most significant interference in low level turbidity measurement. The 1720E Turbidimeter is not affected by variations in flow and pressure.

Nephelometric Measurement

Incandescent light directed from the sensor head assembly down into the turbidimeter body is scattered by suspended particles in the sample. The sensor's submerged photocell detects light scattered at 90° from the incident beam. Sample enters the center column of the turbidimeter, rises into the measuring chamber and spills over the weir into the drain port. This configuration results in an optical flat surface free of turbulence.

Simplicity

A simplified two-module design includes the sensor and the controller interface. The controller accepts two turbidity sensors—adding a second 1720E sensor makes a system with two complete turbidimeters. Connections are simple plug & play.

Data Collection and Display

The 1720E Turbidimeter uses the sc200 Controller to receive data from up to two sensors. A built-in data logger collects turbidity measurement at user selectable intervals (1-15 minutes), along with calibration and verification points, alarm history, and instrument setup changes. Communications using MODBUS®/RS485 or MODBUS®/RS232.

Experience

The 1720E Turbidimeter reflects nearly 50 years of Hach leadership in turbidity measurement science. Hach has the largest turbidimeter installation base in the world. And, Hach offers a two-year warranty on the 1720E.

*U.S. patent 5,831,727



The Model 1720E Low Range Turbidimeter is the newest in a long line of successful Hach turbidimeters—from the unsurpassed world leader in turbidity measurement.

DW

PW

IW

Fast Calibration and Verification

Calibration and verification can be performed without loss of sample flow using the ICE-PIC™ Calibration/Verification Module. One-point calibration with prepared StabCal™ Stabilized Formazin Solution eliminates the errors of user-prepared formazin suspension dilution. Features of the ICE-PIC Module include:

- Calibrate or verify the performance of each sensor in less than one minute
- Factory calibrated and provided with a certificate of accuracy
- Cost effective, one-time investment. No consumables are needed
- Small, lightweight design can be used for spot verification in the facility
- Available in 20 and 1.0 NTU

DW = drinking water WW = wastewater municipal PW = pure water / power
IW = industrial water E = environmental C = collections FB = food and beverage



Be Right™

Specifications*

Range

0.001-100 Nephelometric Turbidity Units (NTU)

Accuracy

(Defined according to ISO 15839.)

±2% of reading or ±0.015 NTU

(whichever is greater) from 0 to 40 NTU;

±5% of reading from 40 to 100 NTU

Displayed Resolution

0.0001 NTU up to 9.9999 NTU;

0.001 NTU from 10.000 to 99.999 NTU

Repeatability

(Defined according to ISO 15839.)

Better than ±1.0% of reading or

±0.002 NTU, whichever is greater

Response Time

Initial response in 1 minute, 15 seconds

for a full-scale step change

Signal Average Time

User selectable from 6, 30, 60, 90

seconds; default 30 seconds

Sample Temperature

0 to 50°C (32 to 122°F)

Sample Flow Required

200 to 750 mL/minute

(3.1 to 11.9 gal/hour)

Operating Temperature

Single sensor system:

0 to 50°C (32 to 122°F)

Two sensor system:

0 to 40°C (32 to 104°F)

Operating Humidity

5 to 95% non-condensing

Storage Temperature

-20 to 60°C (-4 to 140°F)

Power Requirements

100-230 Vac, 50/60 Hz,

auto selecting; 40 VA

Sample Inlet Fitting

1/4" NPT female, 1/4" compression

fitting (provided)

Drain Fitting

1/2" NPT female, 1/2" hose barb (provided)

Recorder Outputs

Two selectable for 0-20 mA or 4-20 mA;

output span programmable over any

portion of the 0-100 NTU range;

built into the sc100 Controller

Alarms

Three set-point alarms, each equipped

with an SPDT relay with unpowered

contacts rated 5A resistive load at

230 Vac; built into the sc200 Controller

Enclosure

NEMA-4X (indoor)/IP66 Controller

Digital Communication

Network card compatible;

MODBUS[®]/RS485, MODBUS/RS232,

LonWorks[®] protocol (optional)

Compliance

Standard Methods 2130B, USEPA 180.1,

Hach Method 8195

Certifications

Safety:

Listed by ETL to UL 61010A-1:

Certified by ETL to CSA C22.2

No. 1010.1: CE certified by Hach

Company to EN 61010-1

Immunity:

CE certified by Hach Company to

EN61326 (industrial levels)

Emissions:

Class A: EN 61326, CISPR 11, FCC

Part 15, Canadian Interference-Causing

Equipment Regulation ICES-003

Mounting

Turbidimeter body and head assembly:

wall and floor stand

sc200 Controller:

wall, pole, panel, and floor stand

Dimensions

Turbidimeter body and cap:

25.4 x 30.5 x 40.6 cm (10 x 12 x 16 in.)

Shipping Weight

1720E Turbidimeter and

sc200 Controller:

6.12 kg (13.5 lbs.)

1720E Turbidimeter:

4.54 kg (10 lbs.)

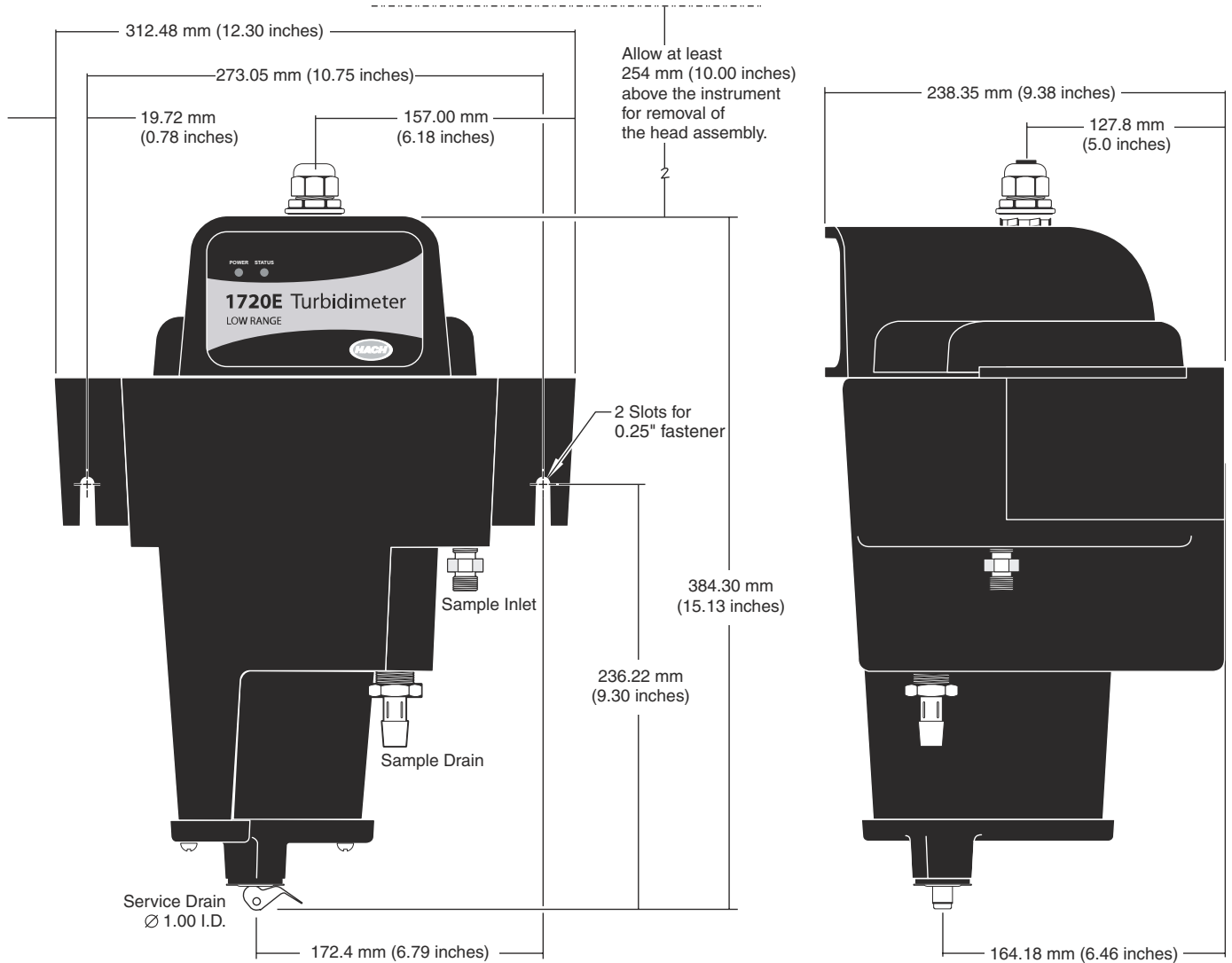
*Specifications subject to change without notice.

Engineering Specifications

- The turbidimeter shall be a microprocessor-based, continuous-reading, on-line nephelometric instrument
- The turbidity monitoring system shall include one or two turbidimeter(s) and one interface unit.
- The turbidimeter shall measure turbidity in the range of 0.001-100 NTU
- Accuracy shall be ±2% of reading or ±0.015 NTU (whichever is greater) from 0 to 40 NTU; ±5% of reading from 40 to 100 NTU
- Displayed resolution shall be 0.0001 NTU from 0 to 9.999 NTU and 0.001 NTU from 10.000 to 99.999 NTU.
- Repeatability shall be better than ±1.0% of reading or ±0.002 NTU (whichever is greater).
- The turbidimeter shall meet all design and performance criteria specified by USEPA method 180.1.
- Light shall be directed through the surface of the sample and the detector shall be immersed in the sample, eliminating glass windows and flow cells.
- Optical components shall be mounted in a sealed head assembly that can be removed for calibration/ service without disturbing sample flow.
- The turbidimeter body shall be constructed of corrosion-resistant polystyrene.
- An internal bubble removal system shall be included to vent entrained air from the sample stream.
- Calibration of the turbidimeter shall be either formazin-based (20 or 1 NTU) or instrument comparison-based calibration method.
- User selectable signal averaging, bubble removal, alarm and recorder output hold, and self-test diagnostics shall be provided.
- Connections between the turbidimeter(s) and the controller shall be "plug and play."
- The Interface unit shall allow operators to control sensor and interface functions with menu-driven software and shall provide data logging of measurement data.
- The interface unit shall have a built-in data logger with the capacity to store data on 15-minute intervals for up to 6 months.
- The interface unit shall be housed in a NEMA-4X (indoor) industrial metal/plastic enclosure.
- The DC power supply shall be housed in the interface unit
- The DC power supply shall automatically accept input in the range of 100 to 230 Vac, 50/60 Hz.
- All system components shall be ETL listed to UL 61010A-1, certified to CSA C22.2 No. 1010.1, and CE certified by manufacturer to EN 61010-1.
- All system components shall be CE certified by the manufacturer to EN 61326 (industrial levels) for immunity and emissions, Class A.
- All system components shall meet FCC Part 15 for North America and Canadian Interference-Causing Equipment Regulation ICES-003, and CISPR 11 Class A levels for rest of the world.
- The turbidimeter shall be Hach Company Model 1720E Low Range Turbidimeter with the sc200 Controller.

Dimensions

The 1720E turbidimeter can be installed on a wall or a floor stand. No tools are needed to connect the controller unit to the turbidimeter. The distance between the two units can be a maximum of 9.62 m (31.6 ft) with the use of an extension cable.



Ordering Information

1720E Turbidimeter

6010101	1720E Turbidimeter, sensor only
2978100	1720E Turbidimeter with sc200 Controller, 1 channel
2978200	1720E Turbidimeter with sc200 24 Vdc Controller, 1 channel
2976800	1720E Turbidimeter with sc200 Controller, 2 channel
2976900	1720E Turbidimeter with sc200 24 Vdc Controller, 2 channel

Cables

5796000	Extension Cable, 7.7 m (25 ft.)
----------------	---------------------------------

Note: Power cables must be ordered separately.

Accessories

5743200	Floor Stand
9218200	SD card reader (USB) for connection to PC
9218100	4 GB SD card

Calibration Supplies

ICE-PIC Calibration/Verification Module / 1720E:

5225000	20 NTU Module
5221500	1 NTU Module

StablCal Comparative Calibration Standards

2660153	20.0 NTU, 1 L each (Calibration Cylinder, P/N 44153-00, must be ordered separately.)
----------------	--

StablCal Verification Standards

2697953	0.3 NTU, 1 L each
2698053	0.5 NTU, 1 L each
2723353	0.1 NTU, 1 L each
2659853	1.0 NTU, 1 L each
2746353	40.0 NTU, 1 L each

Formazin Calibration Standards

4415600	Formazin Calibration Kit for user-prepared calibration (includes 500 mL of 4000 NTU Formazin, TenSette® Pipet, and calibration cylinder)
246149	Formazin Primary Standard, 4000 NTU, 500 mL (replacement for P/N 4415600)
4415300	Calibration Cylinder, 1 L

To complete your turbidity measurement system, choose from these Hach controllers...

Model sc200 Controller

(see Lit. #2665)

LXV404.99.00552	sc200 controller, 2 channel, digital
LXV404.99.00502	sc200 controller, 1 channel, digital
LXV404.99.00542	sc200 controller, 2 channel, digital & mA input

Model sc1000 Controller

(see Lit. #2403)

LXV402.99.00002	sc1000 Display Module
LXV400.99.1R572	sc1000 Probe Module, 4 sensors, 4 mA Out, 4 mA In, 4 Relays, 110-230V
LXV400.99.1B572	sc1000 Probe Module, 4 sensors, 4 mA Out, 4 mA In, 4 Relays, RS-485 (MODBUS), 110-230V
LXV400.99.1F572	sc1000 Probe Module, 4 sensors, 4 mA Out, 4 mA In, 4 Relays, PROFIBUS DP, 110-230V
LXV400.99.1R582	sc1000 Probe Module, 6 sensors, 4 mA Out, 4 mA In, 4 Relays, 110-230V

Lit. No. 2457 Rev 1

C11 Printed in U.S.A.

©Hach Company, 2011. All rights reserved.

In the interest of improving and updating its equipment, Hach Company reserves the right to alter specifications to equipment at any time.

At Hach, it's about learning from our customers and providing the right answers. It's more than ensuring the quality of water—it's about ensuring the quality of life. When it comes to the things that touch our lives...

Keep it pure.

Make it simple.

Be right.

For current price information, technical support, and ordering assistance, contact the Hach office or distributor serving your area.

In the United States, contact:

HACH COMPANY World Headquarters
P.O. Box 389
Loveland, Colorado 80539-0389
U.S.A.
Telephone: 800-227-4224
Fax: 970-669-2932
E-mail: orders@hach.com
www.hach.com

U.S. exporters and customers in Canada, Latin America, sub-Saharan Africa, Asia, and Australia/New Zealand, contact:

HACH COMPANY World Headquarters
P.O. Box 389
Loveland, Colorado 80539-0389
U.S.A.
Telephone: 970-669-3050
Fax: 970-461-3939
E-mail: intl@hach.com
www.hach.com

In Europe, the Middle East, and Mediterranean Africa, contact:

HACH LANGE GmbH
Willstätterstraße 11
D-40549 Düsseldorf
GERMANY
Tel: +49 (0) 211 5288-0
Fax: +49 (0) 211 5288-143
E-mail: info@hach-lange.de
www.hach-lange.com



Be Right™