

# MARINE VALVES AND FITTINGS

## Sea Flange Valves

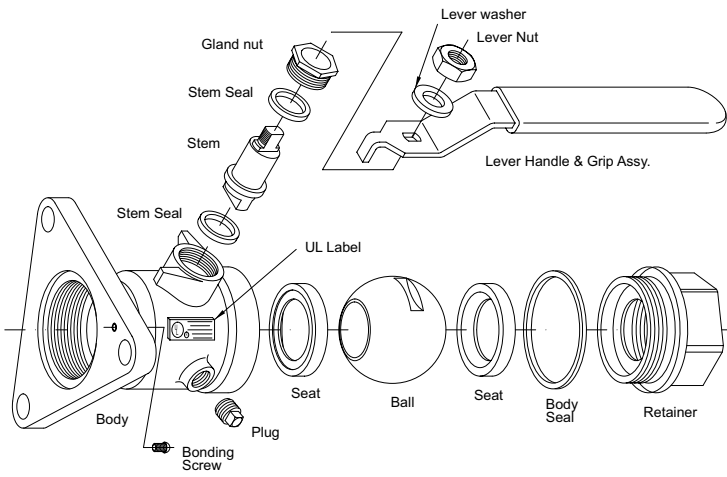
### APOLLO® FULL FLOW SEA FLANGE VALVES

An 85-5-5 bronze ball type valve developed to replace plug and other types of sea cocks in the boating industry. Features like these make the full flow Apollo® Sea Flange your best choice for long-lasting performance and value.

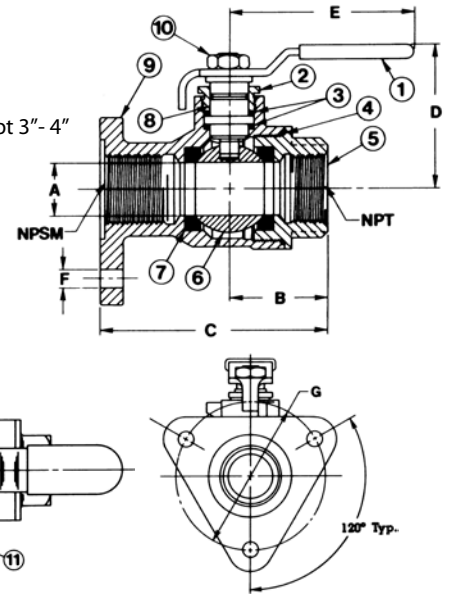


#### FEATURES:

- Underwriters Laboratories listed
- All AYBA recommended materials
- All bronze wetted metallic components
- Large flow ports (designated by "F" at the end of the part #)\*\*
- RPTFE seats and seals
- Chromium plated bronze ball—resists damage from marine growth
- Easy on-off operation
- Winterizing drain plug
- No thumb screws to create seal
- Stainless steel lever and nut
- Compact, streamlined efficient design
- No lubrication required
- Bonding screw standard



1. Lever & grip
2. Gland screw
3. Stem seals
4. Body seal, except 3"-4"
5. Retainer
6. Ball
7. Seat (2)
8. Stem
9. Body
10. Lever nut
11. Plug



Part Number	NPT Size	Dimensions (in.)								WT/100
		A	B	C	D	E	F	G	H	
78-115-01F**	3/4"	0.75	1.56	3.62	2.16	4.78	0.34	3.12	0.06	270
78-118-01	1"	1.00	1.87	4.25	2.62	5.50	0.34	3.37	0.25	380
78-119-01	1 1/4"	1.25	2.15	4.81	2.81	5.50	0.34	3.62	0.37	575
78-116-01F**	1 1/2"	1.50	2.37	5.21	3.13	5.37	0.34	4.50	0.34	725
78-120-01	2"	2.00	2.84	6.25	4.68	8.00	0.34	5.00	0.87	1290
78-117-01	2 1/2"	2.50	3.18	6.87	4.00	8.00	0.34	5.87	1.00	1820
78-121-01A	3"	3.12	3.54	7.23	5.21	9.93	0.40	7.00	1.25	2118
78-122-01A	4"	4.00	3.75	8.06	5.68	9.93	1.13	8.44	1.90	3305

Contact Customer Service for availability on locking handle option

\*\* Large flow ports

### APOLLO® ECONOMY SEA FLANGE VALVES

Same great features and quality all-bronze construction as Full Flow Sea Flange valves, but with standard port design and lower cost.

Part Number	NPT Size	Dimensions (in.)								WT/100
		A	B	C	D	E	F	G	H	
78-115-01	3/4"	0.68	1.50	3.50	2.18	4.87	0.34	3.12	0.06	232
78-116-01	1 1/2"	1.25	2.18	4.81	2.87	5.50	0.34	4.50	0.18	630

Contact Customer Service for availability on locking handle option

# MARINE VALVES AND FITTINGS

## Bronze Valve with Center Drain

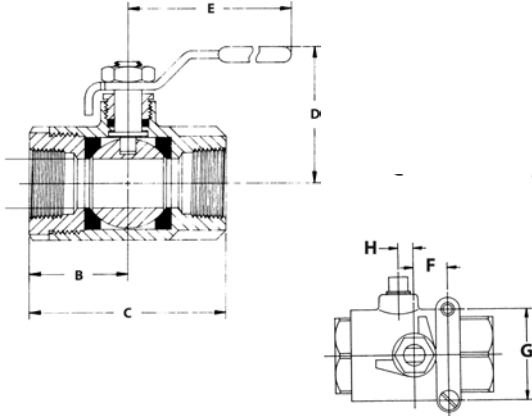
### 78-600/900 SERIES



Center tap drain allows winterization of the valve. Bonding screw allows valve to be connected to the vessel's bonding system.

#### FEATURES:

- Bronze body
- Chromium plated brass ball
- RPTFE seats and stuffing box ring
- Blow-out-proof stem design
- Stainless steel lever and nut
- Mounting pads
- Tapered pipe threads



Part Number	NPT Size	Dimensions (in.)								WT/100
		A	B	C	D	E	F	G	H	
78-664-01	3/4"	0.68	1.50	3.00	2.12	4.87	0.87	1.37	0.17	153
78-665-01	1"	0.87	1.68	3.37	2.25	4.87	0.87	1.37	0.21	186
78-666-01	1 1/4"	1.00	2.00	4.00	2.62	5.50	0.93	1.50	0.28	339
78-667-01	1 1/2"	1.25	2.18	4.37	3.05	8.00	0.93	1.50	0.40	468
78-962-01	2"	1.50	2.34	4.69	3.24	8.00	0.93	1.50	0.45	572

## Shut-Off Valve

### 77-100-10 SERIES



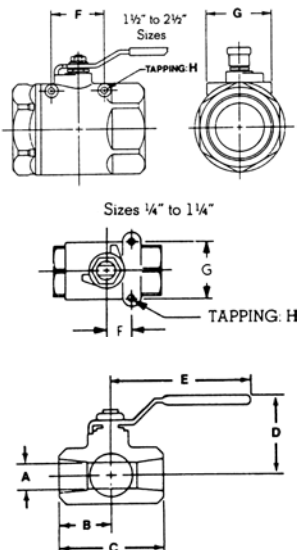
The bronze full port Apollo® with mounting pads for easy, secure installation and quick, convenient bonding. Use in any valve application where full flow is required.

#### FEATURES:

- Bronze Body
- Chromium Plated Brass Ball
- RPTFE Seats And Stuffing Box Ring
- Blow-Out-Proof Stem Design
- Stainless Steel Lever And Nut

#### OPTIONS:

- 316 stainless steel ball and stem



Part Number	NPT Size	Dimensions (in.)								WT/100
		A	B	C	D	E	F	G	H	
77-101-10	1/4"	0.43	1.12	2.25	1.81	3.87	0.50	1.12	10-24NC	79
77-102-10	3/8"	0.50	1.12	2.25	1.81	3.87	0.50	1.12	10-24NC	75
77-103-10	1/2"	0.50	1.12	2.25	1.81	3.87	0.50	1.12	10-24NC	69
77-104-10	3/4"	0.81	1.56	3.12	2.12	4.87	0.87	1.37	10-24NC	183
77-105-10	1"	1.00	1.81	3.62	2.62	5.50	0.93	1.50	1/4-20NC	332
77-106-10	1 1/4"	1.25	2.12	4.25	2.87	5.50	0.93	1.50	1/4-20NC	505
77-107-10	1 1/2"	1.50	2.37	4.75	3.34	8.00	2.08	3.06	5/16-24NF	671
77-108-10	2"	2.00	2.65	5.37	3.71	8.00	2.41	3.52	5/16-24NF	1175
77-109-10	2 1/2"	2.50	3.25	6.50	4.12	8.00	2.75	3.37	1/4-20NC	1725

# MARINE VALVES AND FITTINGS

## Shut-Off Valve

### 70-100-10 SERIES

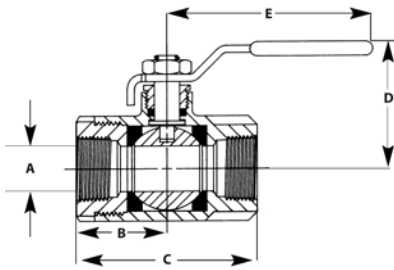
The mainstay of our valve line. Dependable, competitive and available with stainless steel lever and nut.

#### FEATURES:

- Bronze body
- Chromium plated brass ball
- RPTFE seats and stuffing box ring
- Blow-out-proof stem design
- Stainless steel lever and nut

#### OPTIONS:

- 316 stainless steel ball and stem



Part Number	NPT Size	Dimensions (in.)					WT/100
		A	B	C	D	E	
70-101-10	1/4"	0.37	1.03	2.06	1.75	3.87	60
70-102-10	3/8"	0.37	1.03	2.06	1.75	3.87	56
70-103-10	1/2"	0.50	1.12	2.25	1.75	3.87	63
70-104-10	3/4"	0.68	1.50	3.00	2.12	4.87	139
70-105-10	1"	0.87	1.68	3.37	2.25	4.87	172
70-106-10	1 1/4"	1.00	2.00	4.00	2.62	5.50	326
70-107-10	1 1/2"	1.25	2.18	4.37	3.06	8.00	461
70-108-10	2"	1.50	2.34	4.68	3.25	8.00	608
70-109-10A	2 1/2"	2.50	3.25	6.50	4.12	8.00	1725
70-100-10	3"	2.50	3.37	6.75	4.12	8.00	1860

## 5-Port Fuel Tank Selector Ball Valve

### MODELS 78-124-01 & 78-125-01A

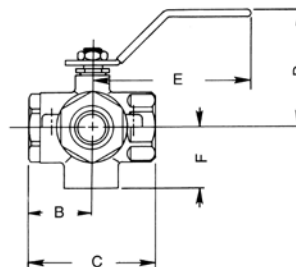
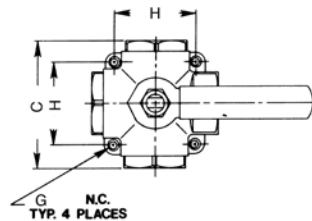
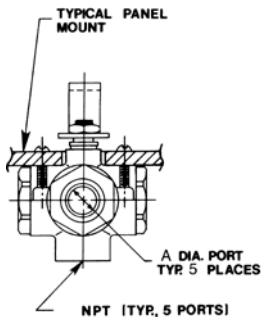
Unique ball design allows for higher flow capacities. Perfect for tank selection on larger vessels. Five port construction allows access to four tanks using only one valve.

#### FEATURES:

- Five NPT connections
- Bronze ball valve with stainless steel lever and nut
- RPTFE stem packing (virgin seats)
- Stem packing adjustable for wear
- 50 psig pressure rating
- Operation: Four selected inlets feed one common outlet - pointer on handle indicates the selected inlet
- Non-lubricated
- Easy mounting design



Part Number	Size	Dimensions (in.)								WT/100
		A	B	C	D	E	F	G	H	
78-124-01	1/2"	0.50	1.26	2.52	2.27	3.53	1.12	10-24	1.40	106
78-125-01A	3/4"	0.75	1.53	3.12	2.87	3.87	1.53	1/4-20	1.98	264



# MARINE VALVES AND FITTINGS

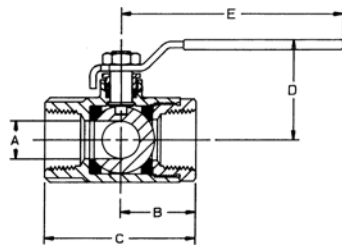
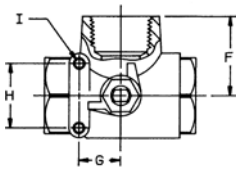
## Three-Way Diverter Valve

### SERIES 70-600-10

Fuel tank selection, oil transfer, and water tank selection are only a few of the uses for this versatile valve.

#### FEATURES:

- Bronze body
- Chromium plated bronze ball
- RPTFE seats and stuffing box ring
- Stainless steel lever and nut
- Mounting/bonding pads
- Blow-out-proof stem design
- 400 psig service rating
- Adjustable packing gland



Part Number	Size	Dimensions (in.)									WT/100
		A	B	C	D	E	F	G	H	I	
70-603-10	1/2"	0.50	1.09	2.25	1.75	3.87	1.18	0.87	1.37	10-24	76
70-604-10	3/4"	0.68	1.50	3.00	2.12	4.87	1.62	0.87	1.37	10-24	231
70-605-10	1"	0.81	1.59	3.18	2.25	4.87	1.71	0.87	1.37	10-24	204
70-606-10	1 1/4"	1.00	1.97	3.95	2.69	5.50	2.01	0.93	1.50	1/4-20	385
70-607-10	1 1/2"	1.25	2.21	4.40	2.87	5.50	2.38	0.94	1.50	1/4-20	522
70-608-10	2"	1.50	2.34	4.69	3.00	5.50	2.50	0.94	1.50	1/4-20	620

**FLOW PATTERN**

LEVER ROTATION

0°      45°      90°

INLET

**NOTE:** Open port pressure must exceed Closed port pressure.

Also available in all Stainless Steel. Specify 76-600 Series.

## Ball Type Fuel Shut-Off Valve

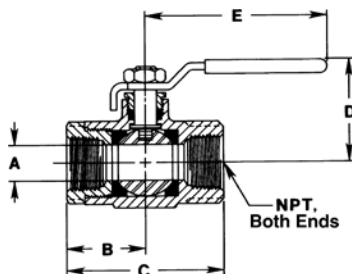


Quality bronze valve features "mounting ears" for quick easy installation, and positive mounting. Can also be used for bonding.

#### FEATURES:

- Surface mounted
- 400 psig service rating
- RPTFE seats and seals
- All wetted metallic parts are brass or cast bronze
- Fast 90° on-off turn
- Tested 100 psig air under water
- Stainless steel lever and nut
- Optional with stainless steel ball and stem

(Optional Tee Handle Illustrated)

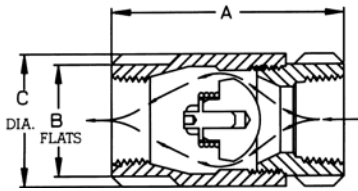


Part Number	Size	Dimensions (in.)					WT/100
		A	B	C	D	E	
78-248-10	1/4"	0.43	1.12	2.25	1.78	3.87	68
78-250-10	3/8"	0.50	1.12	2.25	1.78	3.87	68
78-256-10	1/2"	0.50	1.12	2.25	1.78	3.87	65
78-438-10	3/4"	0.68	1.50	3.00	2.12	4.87	140

# MARINE VALVES AND FITTINGS

## Bronze Ball Cone Check Valve

### 61 SERIES



61-100 Shown

Prevents reverse flow with minimum change in flow velocity.

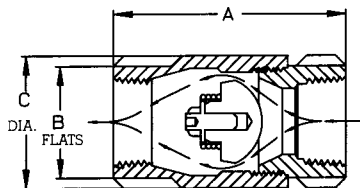
#### FEATURES:

- Tight shut off
- No radial alignment necessary
- Straight through and streamlined for minimum change in velocity
- Ball-Cone™ Check Is spring loaded for fast seating action (constructed of RPTFE)
- Not recommended for reciprocating pumps and similar applications conducive to repetitious vibrations
- Optional light spring
- Soft seat design - specify 61-500 Series
- Solder connections – specify 61-600 Series

Part Number	Part Number	Size	Dimensions (in.)			Approx. Open Pressure	WT/100
			A	B	C		
61-101-01	61-501-01	1/4"	2-1/16	1 1/8	1 1/8	1/2 PSIG	38
61-102-01	61-502-01	3/8"	2-1/8	1 1/8	1 1/8	1/2 PSIG	38
61-103-01	61-503-01	1/2"	2-5/18	1 1/8	1 1/8	1/2 PSIG	38
61-104-01	61-504-01	3/4"	2-7/8	1 3/8	1 1/2	1/2 PSIG	75
61-105-01	61-505-01	1"	3-1/2	1 3/4	1 15/16	1/2 PSIG	145
61-106-01	61-506-01	1 1/4"	4-3/16	2 1/8	2 3/8	1/2 PSIG	275
61-107-01	61-507-01	1 1/2"	4-15/16	2 1/2	2 13/16	1/2 PSIG	394
61-108-01	61-508-01	2"	6	3	3 11/16	1/2 PSIG	630

## Stainless Steel Ball Cone Check Valve

### 62 SERIES



62-100 Shown

Prevents reverse flow with minimum change in flow velocity.

#### FEATURES:

- Tight shut off
- No radial alignment necessary
- Straight through and streamlined for minimum change in velocity
- Ball-Cone™ Check Is spring loaded for fast seating action (constructed of RPTFE)
- All wetted metal parts are 316 stainless steel
- Not recommended for reciprocating pumps and similar applications conducive to repetitious vibrations
- Optional light spring
- Soft seat design - specify 62-500 Series

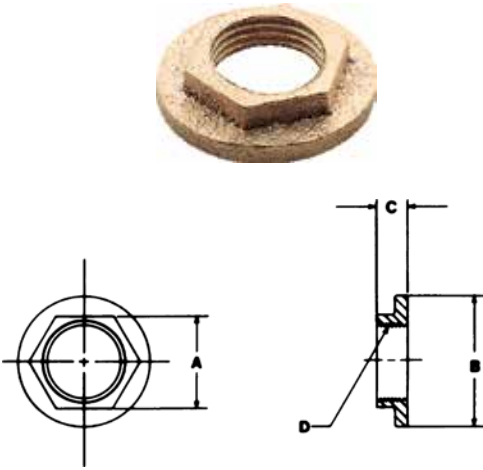
Part Number	Part Number	Size	Dimensions (in.)			Approx. Open Pressure	WT/100
			A	B	C		
62-102-01	62-502-01	3/8"	2-1/8	1 1/8	1 1/8	1/2 PSIG	38
62-103-01	62-503-01	1/2"	2-5/18	1 1/8	1 1/8	1/2 PSIG	38
62-104-01	62-504-01	3/4"	2-7/8	1 3/8	1 1/2	1/2 PSIG	75
62-105-01	62-505-01	1"	3-1/2	1 3/4	1 15/16	1/2 PSIG	145
62-106-01	–	1 1/4"	4-3/16	2 1/8	2 3/8	1/2 PSIG	275
62-107-01	–	1 1/2"	4-15/16	2 1/2	2 13/16	1/2 PSIG	394
62-108-01	–	2"	6	3	3 11/16	1/2 PSIG	630

# MARINE VALVES AND FITTINGS

## Thru-Hull Connections and Components

### BRONZE FLANGE NUTS - PLAIN BRONZE FINISH ONLY

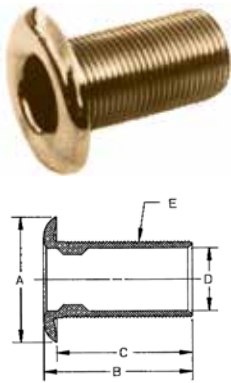
Conbraco offers a wide selection of thru-hull connections and components, available in a wide range of sizes. \*\* = Specify "BF" for Bronze Fitting only. Specify "BN" for Bronze Fitting with nut. Designed and built with large surface to distribute load, for longer service life and more reliable connections; 85-5-5-5 bronze.



Part Number	Size	Dimensions (in.)				WT/100
		A	B	C	D	
65-007-65	1/2"	1.00	1.50	0.312	1/2" NPSM	7
65-006-38	3/4"	1.25	1.84	0.406	3/4" NPSM	12.5
65-006-39	1"	1.56	2.15	0.468	1" NPSM	20
65-006-40	1 1/4"	1.90	2.59	0.50	1 1/4" NPSM	29
65-006-41	1 1/2"	2.16	2.90	0.50	1 1/2" NPSM	40
65-006-42	2"	2.59	3.31	0.593	2" NPSM	52

### THRU-HULL CONNECTIONS

For connections below the waterline; 85-5-5-5 Bronze



Part Number	Size	Dimensions (in.)					WT/100*
		A	B	C	D	E	
65-**7-63	1/2"	1.70	2.5	2.26	0.469	1/2" NPSM	33.5
65-**7-50	3/4"	1.93	2.46	2.25	0.75	3/4" NPSM	35
65-**7-51	1"	2.31	2.75	2.5	1.03	1" NPSM	47.5
65-**7-52	1 1/4"	2.81	3.28	3	1.313	1 1/4" NPSM	84
65-**7-53	1 1/2"	3.06	3.62	3.31	1.53	1 1/2" NPSM	107.5
65-**7-54	2"	3.62	3.81	3.5	2.00	2" NPSM	142
65-**7-55	2 1/2"	4.31	3.93	3.56	2.43	2 1/2" NPSM	216.5

\*\* = Specify "BF" For Bronze Fitting Only. Specify "BN" For Bronze Fitting With Nut.

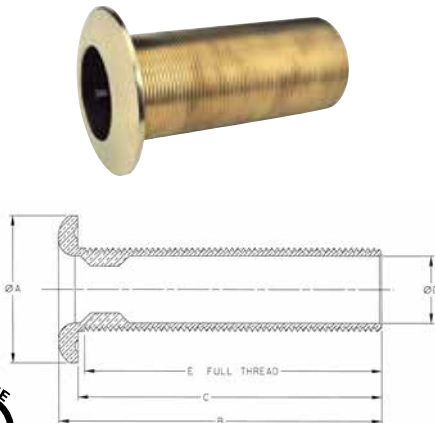
\* = Weights are listed without nuts



(Excludes 1/2, 3/4")

### EXTRA LONG THRU-HULL CONNECTIONS

Extra long to allow for thru-hull connections through the transom or through the bottom of foam filled hulls; 85-5-5-5 bronze.



Part Number	Max. Hull	Dimensions (in.)					Pipe Size	WT/100*
		A	B	C	D	E		
65-**8-03	5.25	1.88	5.94	5.63	0.75	5.51	3/4" NPSM	70.5
65-**8-04	5.19	2.25	5.88	5.53	1.00	5.41	1" NPSM	95
65-**8-05	5	2.75	5.88	5.50	1.25	5.38	1 1/4" NPSM	159.5
65-**8-06	5	3.06	5.88	5.50	1.50	5.38	1 1/2" NPSM	188.5
65-**8-07	5	3.69	6.03	5.63	2.00	5.51	2" NPSM	209.5
65-**8-08	5	4.44	5.94	5.50	2.50	5.38	2 1/2" NPSM	314

\*\* = Specify "BF" For Bronze Fitting Only. Specify "BN" For Bronze Fitting With Nut.

\* = Weights are listed without nuts



(Excludes 3/4")

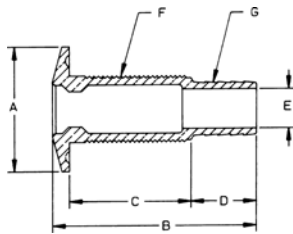


# MARINE VALVES AND FITTINGS

## Thru-Hull Connections and Components

### THRU-HULL CONNECTIONS - BARBED

Recommended for use above the waterline; 85-5-5-5 bronze.



(Excludes 1/2", 3/4")



Part Number	Max. Hull	Dimensions (in.)					Pipe Size F	Hose Size G	WT/100*
		A	B	C	D	E			
65-**7-97	1.06	1.56	3.00	1.5	1.25	0.44	1/2" NPSM	0.63	28.5
65-**7-98	1.63	1.88	3.69	2.06	1.38	0.56	3/4" NPSM	0.75	40.5
65-**7-99	1.75	2.42	3.88	2.25	1.31	0.75	1" NPSM	1.00	74
65-**7-01	1.88	2.81	4.25	2.44	1.47	1.00	1 1/4" NPSM	1.25	106.5
65-**7-02	1.88	3.06	4.25	2.38	1.50	1.25	1 1/2" NPSM	1.50	123.5
65-**7-03	1.88	2.81	4.25	2.44	1.44	0.87	1 1/4" NPSM	1.13	104

\*\* = Specify "BF" For Bronze Fitting Only. Specify "BN" For Bronze Fitting With Nut.

\* = Weights are listed without nuts

## Intake Strainer

### ONE PIECE INTAKE STRAINER

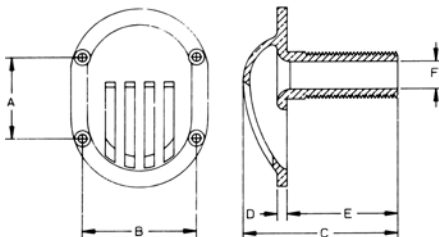
Designed for long life, easy installation; 85-5-5-5 bronze.



Part Number	Max. Hull	Strainer Dim.	Dimensions (in.)						Pipe Size	WT/100*
			A	B	C	D	E	F		
65-**8-09	2.00	2.6 X 3.5	1.56	2.19	3.00	0.19	2.13	0.53	1/2" NPSM	68
65-**8-10	2.19	3 X 4	1.94	2.47	3.63	0.19	2.56	0.75	3/4" NPSM	93.4
65-**8-11	2.50	3 X 4	1.88	2.50	3.88	0.19	2.91	1.00	1" NPSM	104
65-**8-12	3.00	3 1/4" X 4 1/4"	1.75	2.81	4.50	0.19	3.50	1.25	1 1/4" NPSM	158

\*\* = Specify "BF" For Bronze Fitting Only. Specify "BN" For Bronze Fitting With Nut.

\* = Weights are listed without nuts



(Excludes 1/2", 3/4")

# MARINE VALVES AND FITTINGS

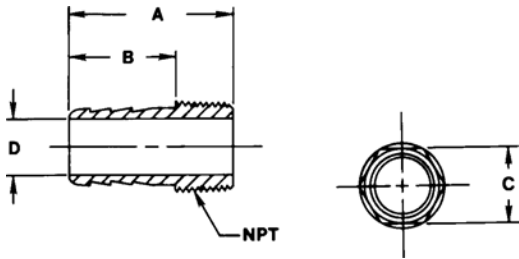
## Adapters

### PIPE TO HOSE ADAPTER

Features single-piece construction. Cast-in wrench flats make installation easier. 85-5-5-5 bronze.



Part Number	NPT Size	Hose I.D.	Dimensions (in.)				WT/100
			A	B	C	D	
65-007-56	1/2"	1/2" or 5/8"	2.58	1.63	0.87	0.40	18
65-007-51	3/4"	3/4"	1.93	1.00	0.87	0.51	23
65-007-52	1"	1"	2.25	1.13	1.12	0.80	34.8
65-007-53	1 1/4"	1 1/4"	2.69	1.44	1.37	1.03	61.2
65-007-54	1 1/2"	1 1/2"	2.63	1.44	1.62	1.28	81.8
65-007-55	2"	2"	2.88	1.63	2.12	1.75	130.5



### 90° PIPE TO HOSE ADAPTER

One-piece adapter simplifies right angle connections. Cast with wrench flats for easy installation; 85-5-5-5 bronze.



Part Number	NPT Size	Hose Size	Hex	Dimensions (in.)					WT/100
				A	B	C	D	E	
65-907-50	1/2"	1/2" and 5/8"	5/8"	1.75	1.91	1.28	0.28	2.08	35
65-907-51	3/4"	3/4"	7/8"	2.50	2.25	1.13	0.54	2.92	41
65-907-52	1"	1"	1 1/8"	2.72	2.35	1.00	0.80	3.24	67
65-907-53	1 1/4"	1 1/4"	1 3/8"	3.11	2.66	1.25	1.03	3.75	106
65-907-54	1 1/2"	1 1/2"	1 5/8"	3.44	3.11	1.25	1.28	4.20	130
65-907-55	2"	2"	2 1/8"	3.99	3.99	1.50	1.63	5.00	260

