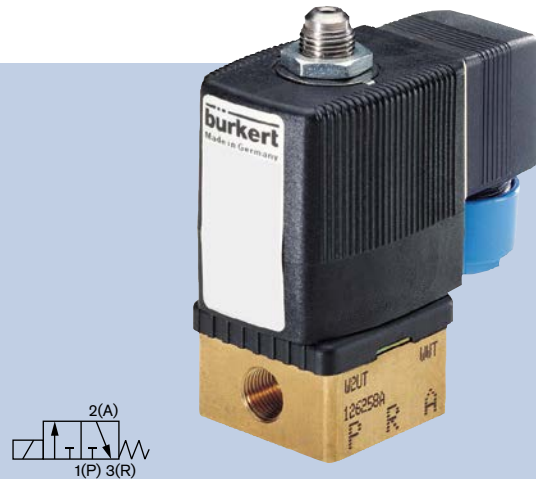


## 3/2-way Ex i Solenoid Valve for pneumatic applications

6014 Ex i

- Direct-acting
- Intrinsically-safe operation
- Compact design
- Push-over coil system
- Threaded port and sub-base port in brass or stainless steel



The direct-acting, intrinsically safe 6014 Ex i valve consists of a metal body and a push-over coil with tag connectors on the side. Type 6014 Ex i can be used in a wide variety of ways, as a single valve, as a pilot valve or grouped together in blocks. The valve is also suitable for technical vacuum.

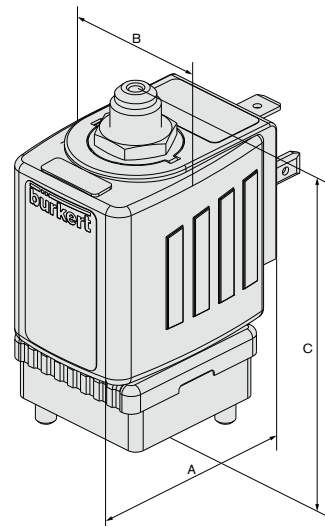
### Technical Data

<b>Orifice</b>	DN0.9 mm
<b>Port connection</b>	Sub-base/Threaded port
<b>Body material</b>	Stainless steel or brass
<b>Metal parts</b>	Stainless steel 1.4305
<b>Seal material</b>	FKM
<b>Media</b>	Lubricated and non-lubricated compressed air, instrument air, nitrogen
<b>Medium temperature</b>	-10 °C to +100 °C
<b>Ambient temperature</b>	-10 °C to +55 °C
<b>Electrical connection</b>	Tag connectors acc. to DIN EN 175301-803 (previously DIN 43650), Form A for connector Type 2508 (not included). Ensure correct polarity!
<b>Protection class</b>	IP65 with connector

Orifice [mm]	Response times <sup>1)</sup>	
	Opening [ms]	Closing [ms]
0.9	20	22

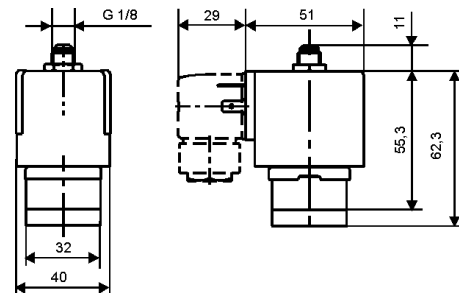
<sup>1)</sup> Measured at a valve outlet 6 bar and +20 °C  
 Opening: pressure rise 0 to 90%, Closing: pressure drop 100 to 10%

### Envelope Dimensions [mm] (see datasheet for details)

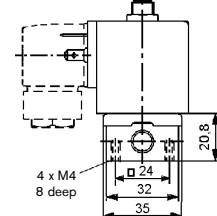


A	B	C
51	40	55.3

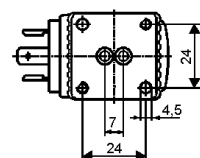
#### Valve with sub-base connection



#### Valve with threaded port body



#### Bürkert sub-base

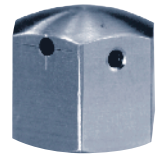


## Ordering Chart

Circuit function	Orifice [mm]	Qn-value air [l/min]	Seal material	Pressure range [bar]	Body material	Port connection	Item no. without manual override
C 3/2-way valve normally closed	0.9	30	FKM	Vacuum to 10	Stainless steel	Bürkert sub-base	144 540
						Threaded port G 1/8"	147 226
					Brass	Bürkert sub-base	147 227
						Threaded port G 1/8"	146 214

## Accessories

Description	Item no.
Stainless steel cap nut, for additional protection of the exhaust air channel from damp penetration	649 554
Cable plug Type 2508 acc. to DIN EN 175301-803 (previously DIN 43650) with blue compression gland nut	438 574



**Stainless steel cap nut**