

Solenoid Valve Timer Units

1078-1 / 1078-2

Time interval from 0.5sec to 10hr

- Programmable alone or using separate operating unit
- Various switching functions
- Safety function with Type 1078-2



Type 1078-2 and 1077-2

Type 1078-1

(Figure Types 1078-2 and 1077-2 mounted on solenoid valve - assembly example)

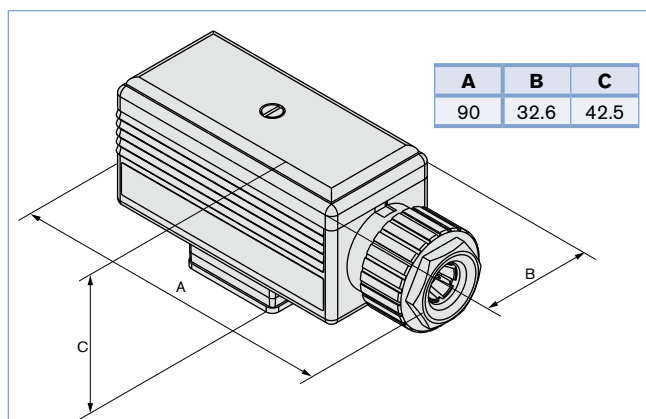
Type 1078-1 is simply programmed by DIP switches and potentiometers and incorporates four different switching functions. It mounts directly onto Bürkert solenoid valves using the same three prong connection. This unit is perfect for simple tasks like compressor blowdown where reliability is required.

Type 1078-2, which has eight different switching functions, is operated by a two button programmer (Type 1077-2) with a small digital display. As changes are only possible via the programmer the unit is safely locked when it is removed. Multiple timers can simply be programmed as the last settings always remain in Type 1077-2.

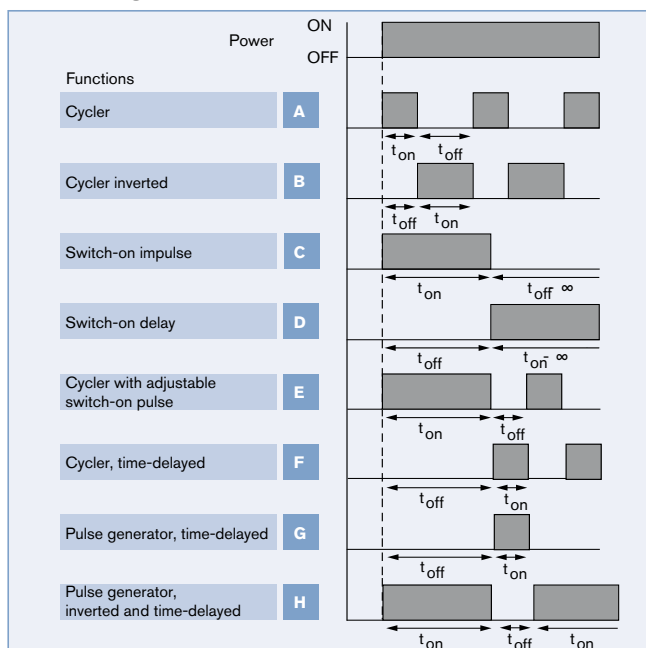
Technical Data

Time range	0.5 s-10 s up to 0.5 h-10 h
Display	LED for power supply voltage and switching status
Adjustment 1078-1	DIP-switches, precision adjustment of response times via potentiometers
Adjustment 1078-2	Two buttons via 1077-2 programmer (not included)
Switching functions	Type 1078-1 A-D Type 1078-2 A-H
Body material	Polyamide
Operating voltages	See ordering chart
Voltage tolerance	±10%
Power consumption	Max. 1.5 W
Ingress protection	IP65 (NEMA4)
Plug connection	Integrated cable plug acc. to DIN EN 175301-803, Form A
Switching load (Imax)	2 A at supply voltage 12 DC. 1.5 A at supply voltage 24-48 V/50-60 Hz and DC
Electrical connection	5-pin terminal strip in housing, cable gland, up to 1.5 mm ² wire, cable Ø 6-7 mm, rotatable by 90°
Cable outlet	4 x 90° positioning
Working temperature range	-10 °C to +60 °C
Influence of temperature	±5 % of full scale time range
Influence of voltage	±1 % of full scale time range
Resolution (Type 1078-2)	Range up to 199 s - 10 ms Range up to 199 min - 1 s Range up to 99 h - 1 min
Additional functions (Type 1078-2)	Binary inputs for external triggering
1077-2 Display	4.5 digit 7 segment LCD
1077-2 Adjustment	Two buttons
1077-2 Body material	Polyamide
1077-2 Ingress protection	IP65 (with valve)

Envelope Dimensions [mm] (see datasheet for details)



Switching functions



Options

- Unit for max. time 100 h (option NA15)
- 110-230 V/50-60 Hz

Ordering Chart

Description	Operating voltage	Item no.
Type 1078-1		
Timer unit Type 1078-1 with standard time range	012 - 024 V DC	060 647
	024 - 048 V / 50 - 60 Hz and DC	060 621
Type 1078-2		
Timer unit Type 1078-2	012 - 024 V DC	060 648
Timer unit Type 1078-2	024 - 048 V / 50 - 60 Hz and DC	060 629
Operating unit Type 1077-2		060 638

1078-1 / 1078-2