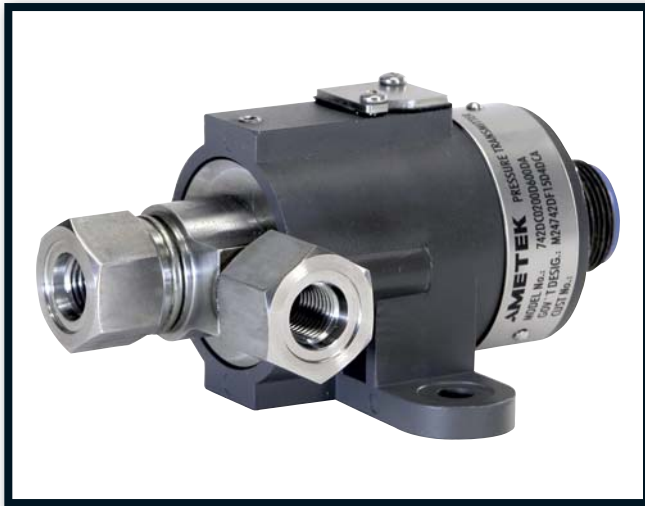


Model 742D

Military Differential Pressure Transducer



Description

The 742D Differential Pressure Transducer has been specially designed to meet the needs of military and/or marine applications and conforms to military specification MIL-T-24742 (SH). The 742D accurately measures differential pressures and transmits a fully adjustable 4 to 20 mA or 0-5 VDC output signal for remote display, recording, or control.

The 742D is available in differential ranges from 10 inches of water to 600 psi.

Direct Replaceability

The 742D transducer is directly interchangeable with existing pressure transducers designed to MIL-T-24742. The mounting is designed to match the footprint of existing transducers for quick and easy installation.

Minimal Maintenance:

Calibration is quick and easy with the non-interacting zero and span adjustments.

Features

- 742D approved to MIL-T-24742 (SH)
- Non-interacting zero and span adjustments for quick calibration
- Pressure connections conform to MS16142
- Light weight, only 18 oz.

Specifications

- **Functional Specifications:** in accordance with MIL-T-24742 (SH)
- **Applications:** steam, sea water, flue gas, ammonia, oxygen, other gases, fresh water, condensate, nitrogen, inert gases and liquid hydrocarbons
- **Output:** 4-20 mADC, 0-5 VDC
- **Power Supply:** 28 VDC \pm 4.5 VDC with reverse polarity protection
- **Loop Resistance:** 0 to 250 ohms
- **Zero/Span Adjustments:** \pm 5% full scale output
- **Temperature Limits:** Compensated: 0°C to 65°C (32°F to 149°F)
- **Overpressure:** 200% of range or maximum rated line pressure (whichever is greater)
- **Humidity:** 0 to 100% RH
- **Volumetric Displacement:** less than 0.002 cc
- **Weight:** 18 oz. (0.51 kg)

Performance Specifications:

- **Accuracy:** \pm 1.0% of calibrated span including linearity, hysteresis, and temperature effects
- **Repeatability:** within 0.5% of span
- **Shock Test:** in accordance with Grade-A, Class I, Type C of MIL-S-901
- **EMI:** in accordance with MIL-STD-462 per MIL-T-24742
- **Vibration:** in accordance with MIL-STD-167

Differential Pressure Transducer

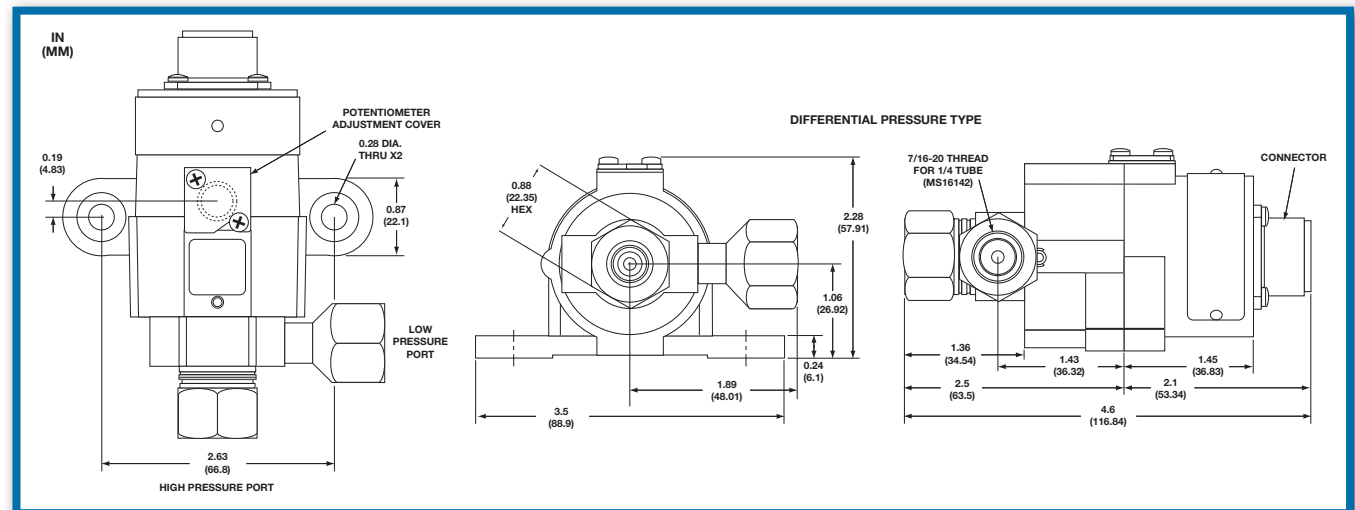
Model Numbering:

742D	Differential pressure transducer (AMETEK code is first, Mil spec 1.2.1.1 in parenthesis)		
742D (M24742D)	Differential pressure transducer		
Application – AMETEK Mil spec 1.2.1.2 Sensor material			
F	F	CRES material	
M	S	NI CU material	
O	O	NI CU material	
C	G	CRES material	
C	H	CRES material	
Pressure ranges – AMETEK Mil spec 1.2.1.3 Pressure			
015	11	0-15 PSI	
030	12	0-30 PSI	
060	13	0-60 PSI	
100	14	0-100 PSI	
200	15	0-200 PSI	
400	16	0-400 PSI	
600	17	0-600 PSI	
NON-STD	NON-STD	*	
010	21	0-10" WC	
060	22	0-60" WC	
150	23	0-150" WC	
300	24	0-300" WC	
Designator – AMETEK Mil spec 1.2.1.3 Units			
C	C	PSID	
G	G	WCD	
Line pressure rating – AMETEK Mil spec 1.2.1.4 Pressure			
015	1	15 PSIG	
150	2	150 PSIG	
300	3	300 PSIG	
600	4	600 PSIG	
NON-STD	NON-STD	*	
Input power – AMETEK Mil spec 1.2.1.5			
D	DC		
Output – AMETEK Mil spec 1.2.1.6 Type			
A	A	4-20mA	
V	V	0-5 volt*	
Connector			
Blank	MS3452W14S-5P		
	MS3456W14S-5S		
L	MS3452L14S-5P		
	MS3456L14S-5S		
LS	MS3452LS14S-5P		
	MS3456LS14S-5S		

742D M24742D
 F F
 015 11
 C C
 150 2
 D DC
 A A

* Consult factory

Dimensions



820 Pennsylvania Boulevard • Feasterville, PA 19053 • U.S.A.
 Tel: 215-355-6900 • Fax: 215-354-1802 • www.ametekpmt.com