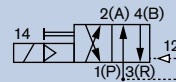


## 4/2-way Solenoid Valve for pneumatic systems

5420

### G 1/8", DN3.0 mm

- Compact with integrated flow regulation
- Manual override as standard
- Tube, thread or flange connection
- Seat valve version
- Suitable as a single valve or manifold mounting



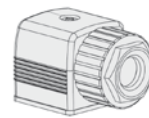
Type 5420 is a pilot-controlled 4-way seat valve with servo-diaphragms. A minimum differential pressure of 2.5 bar is needed for switch-over. The valve can be mounted on two-channel manifolds with a common pressure supply.

### Technical data

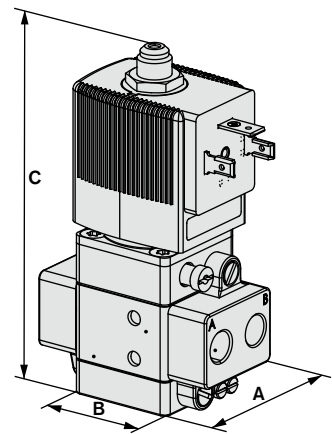
<b>Orifice</b>	DN3.0 mm
<b>Body material</b>	Polyamide
<b>Valve internals</b>	Stainless steel, plastic
<b>Seal material</b>	NBR
<b>Medium</b>	Neutral gases
<b>Media temperature</b>	-10 °C to +60 °C
<b>Ambient temperature</b>	Max. +55 °C
<b>Voltage tolerance</b>	±10%
<b>Duty cycle</b>	100% continuous rating
<b>Electrical Connection</b>	Tag connector acc. to DIN EN 175301-803 (previously DIN 43650) Form A for Cable Plug Type 2508 (not included)
<b>Electrical Power consumption</b>	Inrush AC 11 VA Hold AC 6/2 VA/W, DC 2 W
<b>Type of protection</b>	IP65 (with Cable Plug)
<b>Installation</b>	As required, preferably with actuator upright
<b>Response times 1)</b>	Opening 30 ms Closing 20 ms

<sup>1)</sup> Measurement at the valve outlet, at 6 bar and +20 °C  
Opening: Pressure rise 0 to 90%,  
Closing: Pressure drop 100 to 10%

### Dimensions [mm] (see datasheet for further Details)

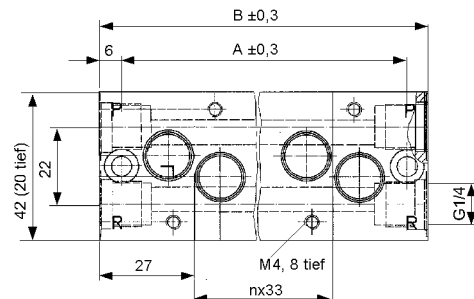


2508 Cable Plug Form A  
not included



Size	A	B	C
G 1/8"	32	32	101

### Side by side manifold



## Ordering chart

Port connection 1 and 3	Port connection 2 and 4	Orifice [mm]	Qn Value air [l/min]	Pressure range [bar]	Item no. Voltage/Frequency [V/Hz]		
					024/DC	024/50-60	230/50-60
<b>Corrosion-resistant body in polyamide, with 2 W coil, seal material NBR, without cable plug</b>							
<b>Circuit function G - 4/2-way valve</b>							
G 1/8"	G 1/8"	3	200	2.5 - 10	134 622	134 623	134 625
Hose fitting 6/4 mm	Hose fitting 6/4 mm	3	200	2.5 - 10	134 630	134 631	134 633
Flange for manifold	G 1/8"	3	200	2.5 - 10	134 634	134 635	134 637
Flange for manifold	Hose fitting 6/4 mm	3	200	2.5 - 10	134 638	134 639	134 641

## Accessories

No. of valve places	Item no.
<b>Expandable manifolds from light metal (aluminium)</b>	
2 valves	005 356
3 valves	005 357
4 valves	005 372
5 valves	005 373
6 valves	005 374
8 valves	006 553

Accessories for manifold	Item no.
Blanking plug for unused ports 1 or 4	005 390
Covering plate, complete, for unused valve positions on the manifolds	005 432
Connector nipple with O-ring for connecting manifold	005 049