

# SPECIALTY PRODUCTS

## WCIY Series

### Cast Iron Y-Type Strainers

Watson McDaniel reserves the right to change the designs and/or materials of its products without notice.  
©2010 Watson McDaniel Company

Model	<b>WCIY</b>
Sizes	<b>1/2", 3/4", 1", 1 1/4", 1 1/2", 2", 2 1/2", 3", 4"</b>
Connections	<b>NPT, Flanged</b>
Body Material	<b>Cast Iron</b>



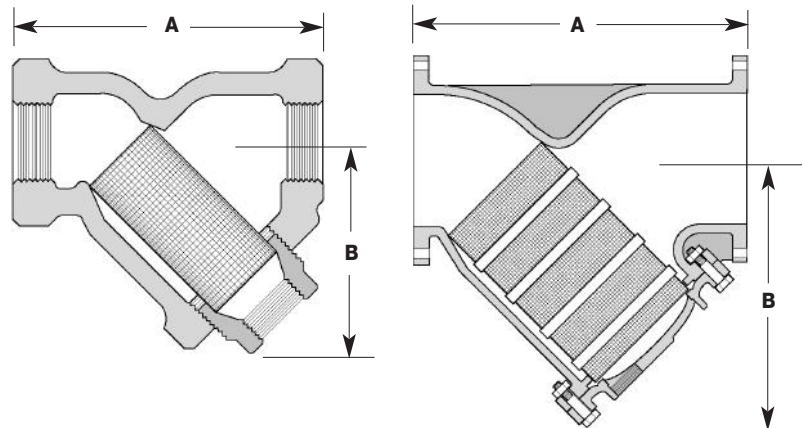
#### PRESSURE/TEMPERATURE RATINGS

NPT	<b>250 PSIG @ 406°F - Steam</b>
NPT	<b>400 PSIG @ 150°F - WOG</b>
125# FLG	<b>125 PSIG @ 450°F - Steam</b>
125# FLG	<b>200 PSIG @ 150°F - WOG</b>
250# FLG	<b>250 PSIG @ 450°F - Steam</b>
250# FLG	<b>500 PSIG @ 150°F - WOG</b>

Note: WOG = Water, Oil or Gas.



FLOW



#### TYPICAL APPLICATIONS

The WCIY Y-Strainer is used to strain dirt particles from fluid in pipelines and provide inexpensive protection for costly pumps, meters, valves, traps, turbines and compressors.

#### FEATURES

- Machined seat assures perfect fit for screen
- Blowdown connection & easily removable stainless steel cylindrical screens for easy maintenance
- Durable cast iron body

#### INSTALLATION

The strainer should be installed in the flow direction as indicated on the body in either a vertical down or horizontal pipeline. The strainer must be accessible for periodic cleaning.

#### DIMENSIONS & WEIGHTS – inches / pounds

Size/Connection	Model	A	B	Blowdown NPT	Weight (lbs)	Screen Opening
1/2" NPT	WCIY-12-020S250	3 <sup>3</sup> / <sub>16</sub>	2 <sup>1</sup> / <sub>16</sub>	3/8	1.5	0.033
3/4" NPT	WCIY-13-020S250	3 <sup>3</sup> / <sub>4</sub>	2 <sup>7</sup> / <sub>16</sub>	3/8	2.5	0.033
1" NPT	WCIY-14-020S250	4	2 <sup>7</sup> / <sub>16</sub>	3/4	3	0.033
1 1/4" NPT	WCIY-15-020S250	5	3 <sup>3</sup> / <sub>8</sub>	3/4	5.5	0.033
1 1/2" NPT	WCIY-16-020S250	5 <sup>3</sup> / <sub>4</sub>	3 <sup>7</sup> / <sub>8</sub>	1	8	0.033
2" NPT	WCIY-17-020S250	7	4 <sup>3</sup> / <sub>4</sub>	1 1/2	13	0.033
2" 125# FLG	WCIY-17-020F125	8 <sup>7</sup> / <sub>8</sub>	6	1/2	22	0.033
2" 250# FLG	WCIY-17-020F250	8 <sup>7</sup> / <sub>8</sub>	6 <sup>1</sup> / <sub>2</sub>	1/2	28	0.033
2 1/2" NPT	WCIY-18-045S250	9 <sup>1</sup> / <sub>4</sub>	5 <sup>7</sup> / <sub>8</sub>	1 1/2	22	0.045
2 1/2" 125# FLG	WCIY-18-045F125	10 <sup>3</sup> / <sub>4</sub>	8	1	35	0.045
2 1/2" 250# FLG	WCIY-18-045F250	11 <sup>1</sup> / <sub>4</sub>	7	1	38	0.045
3" NPT	WCIY-19-045S250	10	6	1 1/2	30	0.045
3" 125# FLG	WCIY-19-045F125	11 <sup>1</sup> / <sub>2</sub>	8 <sup>3</sup> / <sub>4</sub>	1	43	0.045
3" 250# FLG	WCIY-19-045F250	11 <sup>5</sup> / <sub>8</sub>	8	1	54	0.045
4" 125# FLG	WCIY-20-045F125	13 <sup>7</sup> / <sub>8</sub>	9 <sup>1</sup> / <sub>2</sub>	1 1/4	75	0.045
4" 250# FLG	WCIY-20-045F250	14 <sup>1</sup> / <sub>2</sub>	10 <sup>3</sup> / <sub>4</sub>	1	110	0.125

#### MATERIALS

Body	Cast Iron, A126 CLASS B
Plug	Cast Iron, A126 CLASS B
Cover	Cast Iron, A126 CLASS B
*Screen	Stainless Steel
*Gasket	Blue Guard

\*Recommended spare parts.