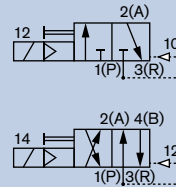


3/2 and 4/2-way Solenoid Valve for pneumatic systems, modular for block mounting

- With manual override
- Extreme switching reliability
- Flexible block compilation
- Reduced power consumption
- Different pneumatic connections available



mounting example

Type 5470 M is available as a 3/2 and 4/2-way valve. Different modes of action are used within a block. The valves are generally equipped with a DC coil. When using an AC power source, use an appliance with a rectifier.

Power consumption

Corresponds to the effective coil power in the ordering chart.

Technical Data

Orifice	DN4.0 mm
Body material	Polyamide (PA)
Valve internal	Ultramide
Seal material	NBR
Media	Compressed air, neutral gases
Media temperature	-10 °C to +50 °C
Ambient temperature	-10 °C to +55 °C
Port connection	G 1/8"
1 to 4 (Versions)	Tube connection SL 6/4 mm (on request) Push-in connection Ø 6 mm NPT 1/8" (on request)
Voltage tolerance	±10%
Duty cycle	100% continuous rating
Electrical connection	Tag connector acc. to DIN EN 175301-803 (previously DIN 43650) for cable plug, Form C (not included)
Protection class	IP65 (with cable plug)
Installation	As required, preferably with actuator upright
Response times ¹⁾	
DC opening	15 ms
DC closing	12 ms
AC opening	15 ms (with rectifier plug)
AC closing	20 ms (with rectifier plug)

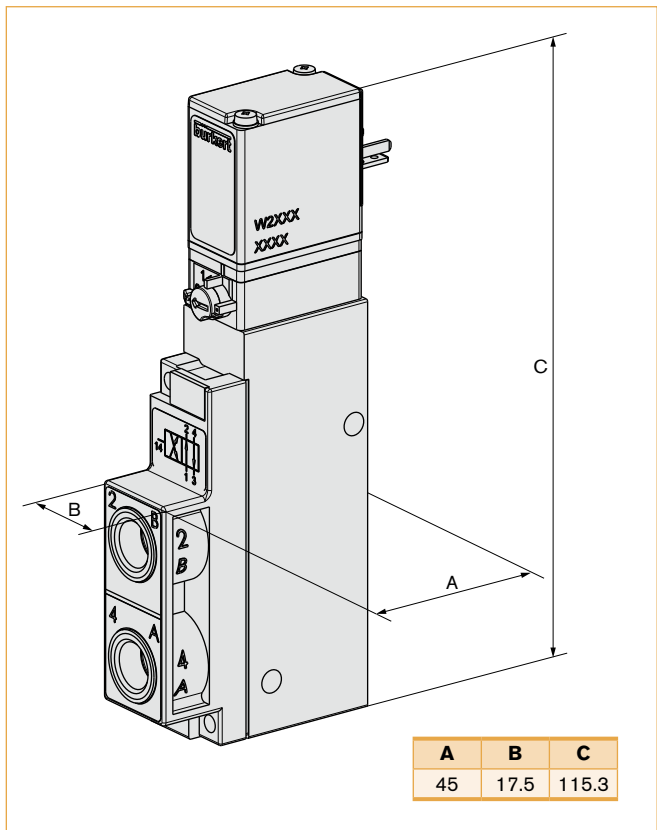
¹⁾ Measured at valve outlet at 6 bar and +20 °C

Opening: pressure rise 0 to 90%, closing: pressure drop 100 to 10%

Options

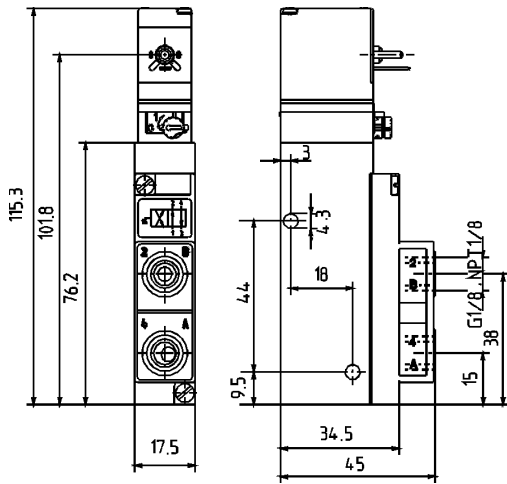
- Type of protection: Explosion protection Ex i
- Without manual override
- Normally open circuit function

Envelope Dimensions [mm] (see datasheet for details)

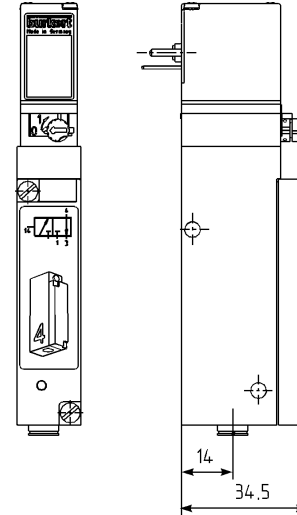


Envelope Dimensions [mm] (see datasheet for details)

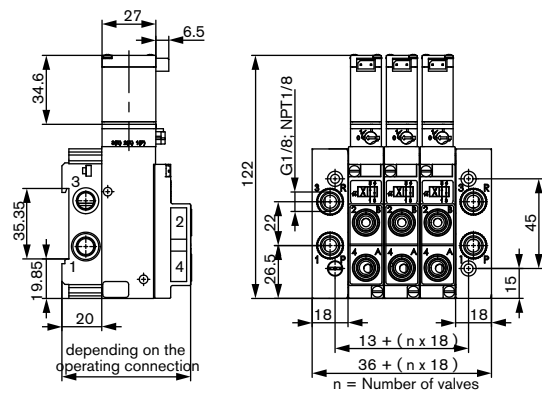
4/2-way (WWG), tag connector in the front



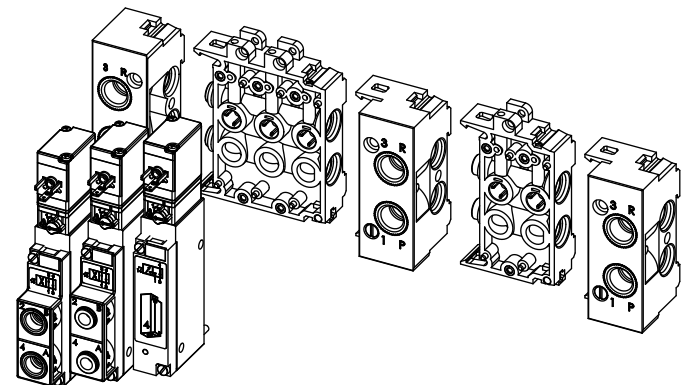
3/2-way (WWC), tag connector in the back



Block (valve assembly on pneumatic module, Type MP05)



Block assembly on pneumatic module, Type MP05



Ordering Chart

5470 M

Circuit function	Orifice [mm]	Q _{Nn} value air [l/min]	Pressure range [bar]	Service ports 4 and 2	Voltage/frequency [V/Hz]	Power consumption [W]	Item no. Tag connector in the rear for valve blocks Type 8640	Item no. Tag connector in the front for valve blocks
C 3/2-way valve normally closed	4.0	300	2 - 8	Push-in connection Ø 6 mm, underneath	024/DC 1)	1	132 479	135 203
			2 - 10		024/DC 1)	2	133 148	135 204
					220 - 240/DC 1)	3	–	132 953
G 4/2-way valve	4.0	300	2 - 8	Push-in connection Ø 6 mm, in front	024/DC 1)	1	–	135 205
			2 - 10		024/DC 1)	2	132 487	135 206
					220 - 240/DC 1)	3	–	132 955
			2 - 8	Push-in connection Ø 6 mm, underneath	024/DC 1)	1	132 489	135 207
			2 - 10		024/DC 1)	2	133 150	135 208
					220 - 240/DC 1)	3	–	132 957
			2 - 8	Threaded port G 1/8", in the front	024/DC 1)	1	–	135 211
			2 - 10		024/DC 1)	2	–	135 212
					220 - 240/DC 1)	3	–	132 959

1) When using an AC power source, use an appliance with a rectifier.

Tag connector at the rear: over the supply ports 1 and 3.

No.	Unit	Item no.
Example for Type 5470 with Type MP05		
1	Connection module right, G 1/8"	133 177
1	Pneumatic basic module, 2 valves	132 516
1	Pneumatic basic module, 3 valves	132 517
1	Connection module left, G 1/8"	133 175
5	Valves	135 203

Ordering Chart

Version	Item no.
Type MP05 pneumatic modules	
Connection module right, G 1/8"	133 177
Connection module right, NPT 1/8"	133 178
Connection module right, G 1/4"	132 514
Connection module right, NPT 1/4"	132 515
Pneumatic basic module, 2 valves	132 516
Pneumatic basic module, 3 valves	132 517
Pneumatic basic module, 2 valves with check valve	132 518
Pneumatic basic module, 3 valves with check valve	132 519
Connection module left, G 1/8"	133 175
Connection module left, NPT 1/8"	133 176
Connection module left, G 1/4"	132 512
Connection module left, NPT 1/4"	132 513

5470 M

Accessories

Description	Features	Item no.
Type MP05 pneumatic modules		
Connection module G 1/8"	intermediate supply	643 019
Blanking plug	G 1/8"	631 019
Blanking plug	G 1/4"	631 020
Blanking plug for push-in connection	Ø 6 mm	015 397
Pressure rings for push-in connection	Ø 6 mm	015 401
Covering plate (black)	for unused valve positions	643 223
Indicating tags	64 pieces	623 816