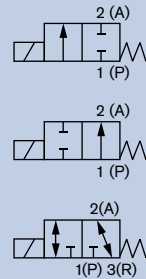


2/2- and 3/2-way Solenoid Valve for analytical applications

6628

TwinPower

- 22 mm Installation width
- Isolating diaphragm for aggressive fluids
- High back-pressure tightness
- Minimal internal volume with good cleanability



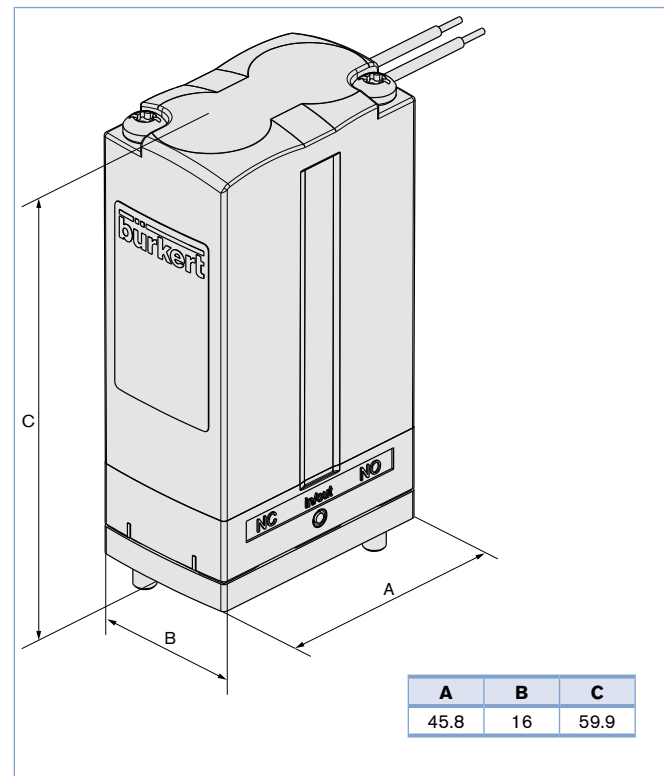
Direct acting medium separated 2/2- and 3/2-way Rocker Solenoid Valve for control of aggressive fluids and gases in analytical medical applications, the food industry, and also the chemical industry for dosing, filling, mixing and distribution.

The medium is in contact with fluid housing and seal material solely through the isolating diaphragm. This valve with the new TwinPower actuator, robust screw-in connection and 22 mm installation width, will fulfil the highest requirements. The established rocker solenoid technology is characterized through full back pressure tightness, good rinsing capability and low internal volume. Type 6628 is available in different technical versions and by virtue of several body options, it offers a perfect adaption in fluid applications.

Technical data

Orifice	DN2.0 or 3.0 mm
Body material	PEEK or PPS (PVDF, PP on request)
Seal material	FFKM, FKM or EPDM
Medium	Resistant to neutral and aggressive gases and liquids acc. to our chemical resistance chart
Medium temperature FKM, EPDM, FFKM	0 °C to +55 °C +10 °C to +55 °C -10 °C to +55 °C
Ambient temperature FKM, EPDM, FFKM	0 °C to +55 °C +10 °C to +55 °C -10 °C to +55 °C
Internal volume	ca. 200 µl
Viscosity	max. ca. 21 mm ² /s
Electrical connection	<ul style="list-style-type: none"> ▪ PFA single flying leads, 0.5 mm², 500 mm ▪ Rectangular plug for cable plug Type 2505 (not included) ▪ Industry plug acc. to DIN 43650 Form B for cable plug Type 2507 (not included) ▪ Circular connector M8 on request
Operating voltages	24V DC, other voltages on request
Voltage tolerance	±10%
Nominal power	5 W
Duty cycle	100 % continuous operation
Installation	As required, preferably with actuator upright

Dimensions [mm] (see datasheet for further Details)

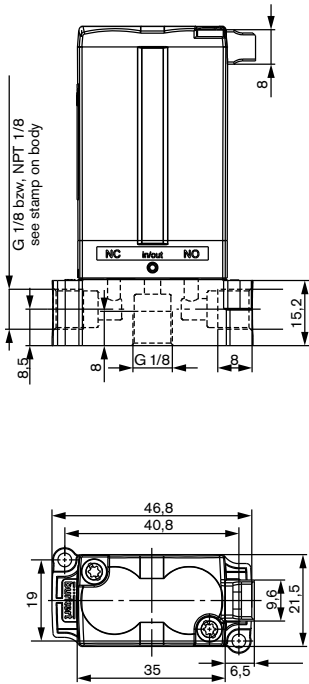


Technical data (continued)

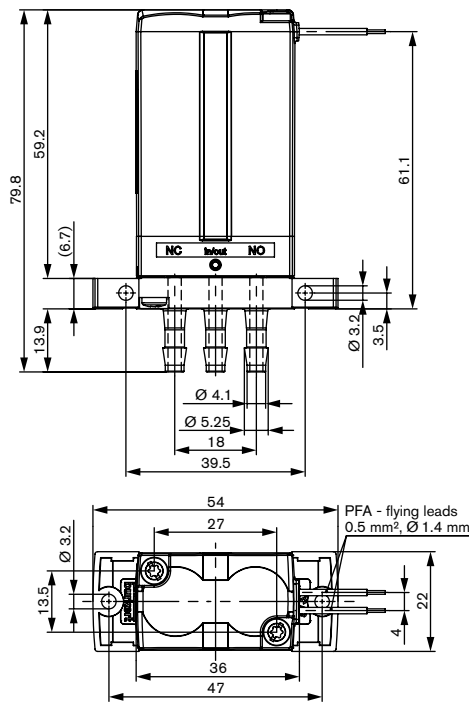
Protection class	IP54 (IP40 with rectangular plug Type 2505)
Response times	Measurement at valve output with 2 bar and 20 °C acc. to DIN ISO 12238:2001
Opening	25 ms (Pressure rise 0-10%)
Closing	25 ms (Pressure drop 100-90%)
Manual override	on request

Dimensions [mm] (see datasheet for further Details)

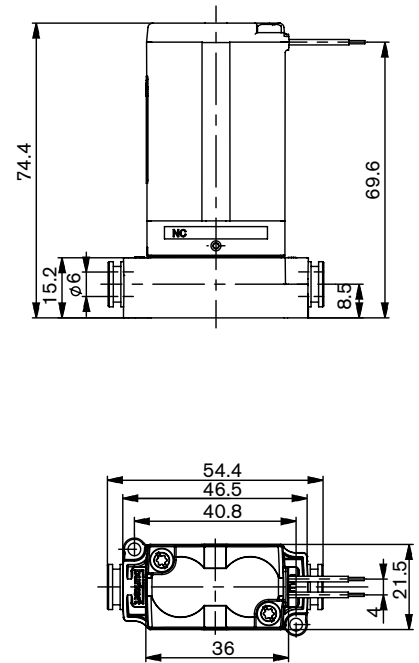
**Threaded version
with rectangular plug**



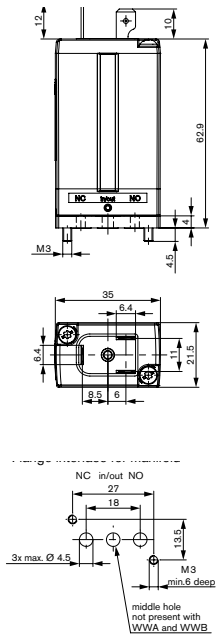
**Barbed hose connector
with Flying leads**



Push-in connector



**Flange version
for Cable Plug**



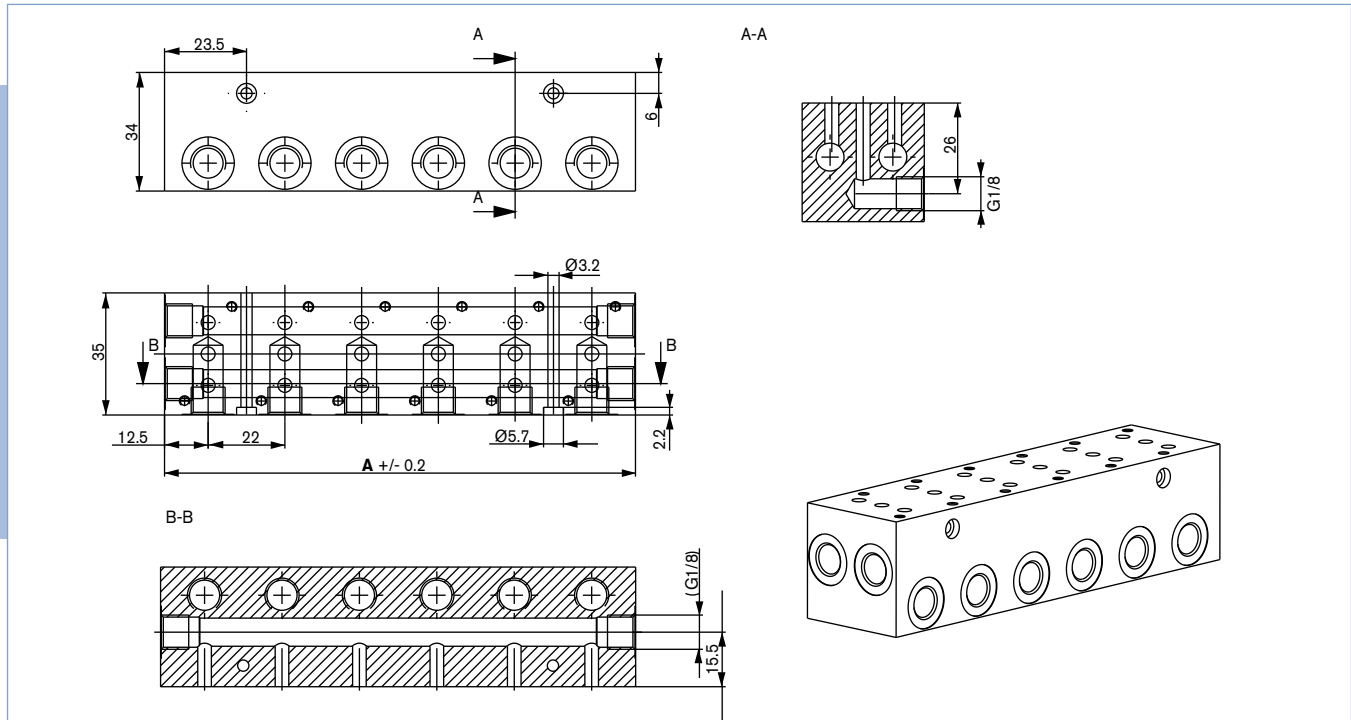
Classification of fluid connections

2/2-way valve, normally closed (Circuit function A)
inflow at "NC"-connector

2/2-way valve, normally open (Circuit function B)
inflow at "NO"-connector

3/2-way valve, universal (Circuit function T)
flow as required

Dimensions for manifold [mm]



Ordering chart

Orifice [mm]	Port connection	Kv value water [m ³ /h]	QnN-value air [l/min]	Pressure range [bar]	Max. pressure difference [bar]	Seal material	Body material	Electrical connection	Voltage/frequency [V/Hz]	Item no.
Circuit function A, 2/2-way valve normally closed										
2	Bürkert-Flange	0.10	110	Vac. - 5	5	EPDM	PPS	Rectangular plug	024/DC	250 857
2	Bürkert-Flange	0.10	110	Vac. - 5	5	FFKM	PEEK	Flying leads 500mm	024/DC	234 350
2	G 1/8"	0.10	110	Vac. - 5	5	FKM	PEEK	Rectangular plug	024/DC	242 713
3	Bürkert-Flange	0.17	180	Vac. - 3	3	FFKM	PEEK	Rectangular plug	024/DC	235 317
3	Bürkert-Flange	0.17	180	Vac. - 3	3	FFKM	PEEK	Plug interface Form B	024/DC	242 721
3	Bürkert-Flange	0.17	180	Vac. - 3	3	FFKM	PEEK	Flying leads 500mm	024/DC	231 013
3	Bürkert-Flange	0.17	180	Vac. - 3	3	FFKM	PEEK	Flying leads 500mm	024/DC	251 686
3	Hose connector	0.17	180	Vac. - 3	3	FFKM	PEEK	Flying leads 500mm	024/DC	235 318
3	G 1/8"	0.17	180	Vac. - 3	3	FFKM	PEEK	Rectangular plug	024/DC	241 807
3	Push-in connection	0.17	180	Vac. - 3	3	FKM	PPS	Flying leads 500mm	024/DC	251 650
Circuit function T, 3/2-way valve, Universal function										
2	Bürkert-Flange	0.10	110	Vac. - 5	5	EPDM	PPS	Rectangular plug	024/DC	250 859
3	Bürkert-Flange	0.17	180	Vac. - 2	2	FKM	PPS	Flying leads 500mm	024/DC	251 635
3	Push-in connection	0.17	180	Vac. - 2	2	FKM	PPS	Flying leads 500mm	024/DC	251 685
3	Bürkert-Flange	0.17	180	Vac. - 2	2	FFKM	PEEK	Flying leads 500mm	024/DC	230 305
3	Hose connector	0.17	180	Vac. - 2	2	FFKM	PEEK	Flying leads 500mm	024/DC	235 323
3	G 1/8"	0.17	180	Vac. - 2	2	FFKM	PEEK	Rectangular plug	024/DC	241 806

Kv value [m³/h]: Flow value for water.

Measured at +20 °C, 1 bar pressure at valve inlet and free outlet.

Rectangular cable, Type 2505 please order separately, for selection options, see accessories.



Ordering chart for manifold

Multiple Manifolds with individual service port (G 1/8) and diverter function on 2 common channels (G 1/8); Delivery without valves; Material: anodized aluminium


Manifold	A [mm]	Item no.
2-fold	47	669 571
3-fold	69	672 633
4-fold	91	669 572
5-fold	113	672 661
6-fold	135	669 570
10-fold	223	672 660

Other versions on request.

Ordering chart for manifold

Accessories	Features	Item no.
	Rectangular plug Type 2505 with 3 m cable	133 486
	Rectangular plug Type 2505 with 300 mm flying leads	644 068

Cable Plug Type 2507 according to Industrial standard Form B

	Accessories	Version	Voltage	Item no.
	Cable Plug	without Circuitry	0 ... 250 V AC/DC	423 845
		with LED	24 V AC/DC	423 849