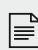
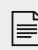

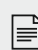
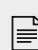




Tool handling

Innovative accessories for the work bench – the item range of holders. Whether hooks, holders, tool holders or magnetic holders – we have thought of everything! Choose the right solution for your work bench from a wide range of mounting accessories. The universal fastening system is suitable for all Line 8 profiles.

-  **78** Hooks 8
Stainless and simply indispensable – the universal fastening for tools.

-  **80** Holder 8
These versatile holders from item are ideal for rounded or angled objects.
-  **81** Container D80
The practical storage solution for all types of small objects.
-  **82** Hook 8 R40
A fully rounded solution. A retainer for cylindrical and elongated objects.
-  **83** Cloth Holder 8
This static storage solution for cleaning cloths keeps the work bench clean and clear.



-  **84** **Cup Holder 8**
Everyone needs a break, but this holder provides a sturdy home for mugs and cups that helps prevent breakages.
-  **84** **Bottle Holder 8**
Holder for bottles or cans up to 100 mm in diameter.
-  **85** **Bottle Holder 8 Insert**
The insert holds all bottle sizes up to a diameter of 100 mm securely in place.
-  **86** **Tool Holder D120**
Holds even large hand tools safely.
-  **87** **Magnetic Holder 8**
Magnetic Holder that fits into a profile groove and secures hand tools made from steel.
-  **88** **Runner**
Useful hangers with spring hooks that can be moved along the groove rapidly.
-  **90** **Tool Balancer**
Up to 1 kg, 2 kg and 3 kg counterweight with integrated securing loop.
-  **91** **Tool Holder 8**
Spring-loaded clips made from flexible plastic keep tools and pens on clear display and within easy reach.



Stainless support.



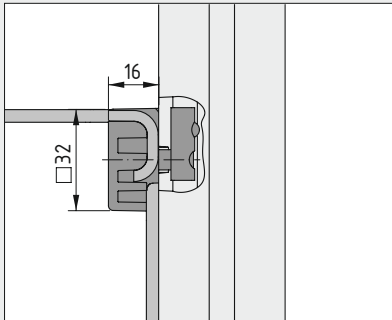
Hooks

The item Hook system – one of these hooks will always fit your needs!
All the Hooks are formed from stainless steel wire and can be used individually or together.

New

In the colour of your choice. All the hooks and holders in the design award-winning range from item are now available with either black or grey plastic elements.



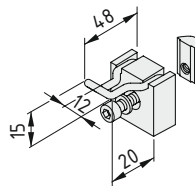


The hook that does more. Because Hook 8 80x40 protrudes further than other models, it can also be used to hold larger objects safely in place. It can be installed inside the handling area, to the side of the working surface, or in front of the working surface.

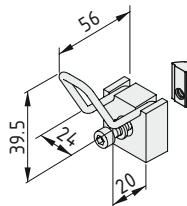


The following applies to all the products below:

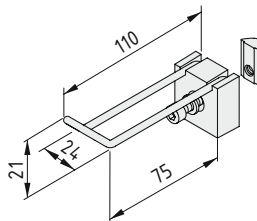
- Wire, St, stainless
- Wire mount, PA-GF
- Hexagon Socket Head Cap Screw DIN 912-M6x20, St, bright zinc-plated
- Washer DIN 433-6.4, St, bright zinc-plated
- T-Slot Nut V 8 St M6, bright zinc-plated



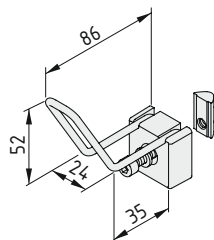
Hook 8 40x20	
m = 48.0 g	
black, 1 set	0.0.624.30
grey, 1 set	New 0.0.634.74



Hook 8 40x40	
m = 54.0 g	
black, 1 set	0.0.624.28
grey, 1 set	New 0.0.634.82



Hook 8 80x20	
m = 61.0 g	
black, 1 set	0.0.624.29
grey, 1 set	New 0.0.634.83



Hook 8 80x40	New
m = 60.0 g	
black, 1 set	0.0.634.67
grey, 1 set	0.0.634.80



Versatile support.

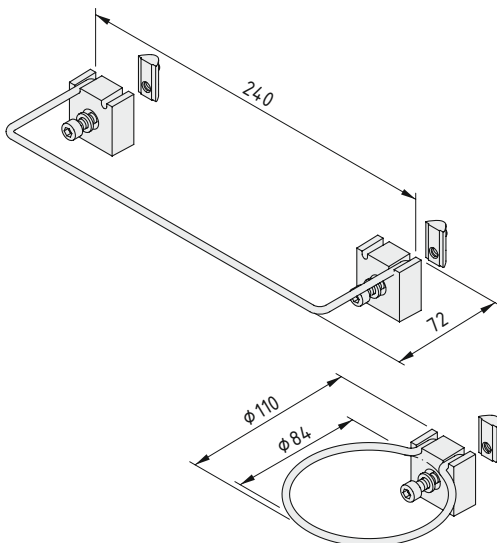


Holder 8 240x80 Holder 8 D80

Holders for round and angular objects – two Holders with a whole range of uses.
The Holder itself is formed from stainless steel wire

The following applies to all the products below:

Wire, St, stainless
Wire mount, PA-GF
Hexagon Socket Head Cap Screw DIN 912-M6x20, St, bright zinc-plated
Washer DIN 433-6.4, St, bright zinc-plated
T-Slot Nut V 8 St M6, bright zinc-plated



Holder 8 240x80

m = 74.0 g

black, 1 set

0.0.624.31

grey, 1 set

New 0.0.634.75

Holder 8 D80

m = 53.0 g

black, 1 set

0.0.624.32

grey, 1 set

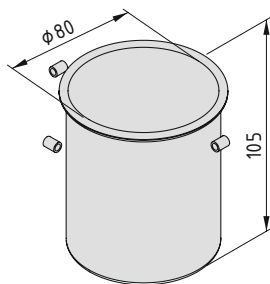
New 0.0.634.76

A fully rounded solution

Container D80

Every work station needs one – the perfect place to put pens, screwdrivers and other tools and utensils. Container D80 keeps the workplace neat and tidy and is a place for everything that does not have a place of its own. It makes sure all the important little things are always in sight and within easy reach.

Elastomer tubing cut-offs ensure that Container D80 fits snugly and securely into Holder 8 D80 (Art. No. 0.0.624.32/0.0.634.76). Small openings in the bottom make cleaning easier.



Container D80

Container D80, Al, natural

3 tubing cutoffs D4x1x8

m = 52.0 g

1 pce.

0.0.646.02

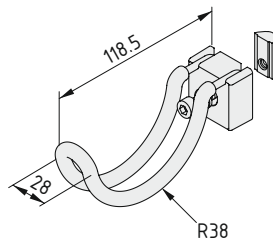
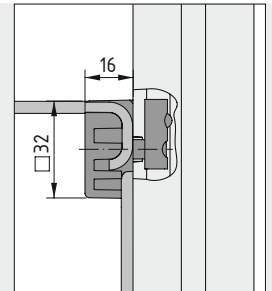
Hooked on support.

New



Hook 8 R40

A fully rounded solution. Hook 8 R40 forms a retainer for cylindrical or elongated hand tools and workpieces. It comes with PVC sheathing to prevent objects slipping out of place.



Hook 8 R40



Wire, St, stainless
PVC sheathing
Wire mount, PA-GF
Hexagon Socket Head Cap Screw DIN 912-M6x20, St, bright zinc-plated
Washer DIN 433-6.4, St, bright zinc-plated
T-Slot Nut V 8 St M6, bright zinc-plated
m = 69.0 g

black, 1 set

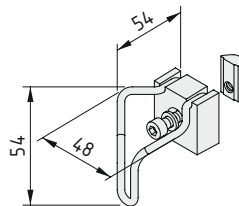
0.0.648.90

Safely tucked up.



Cloth Holder 8

A place for everything and everything in its place – the item Cloth Holder helps turn this into a reality for your work bench.



Cloth Holder 8



Wire, St, stainless
 Wire mount, PA-GF
 Hexagon Socket Head Cap Screw DIN 912-M6x20, St, bright zinc-plated
 Washer DIN 433-6.4, St, bright zinc-plated
 T-Slot Nut V 8 St M6, bright zinc-plated
 m = 58.0 g

black, 1 set	0.0.624.27
grey, 1 set	New 0.0.634.81

Firm grip for soft drinks.

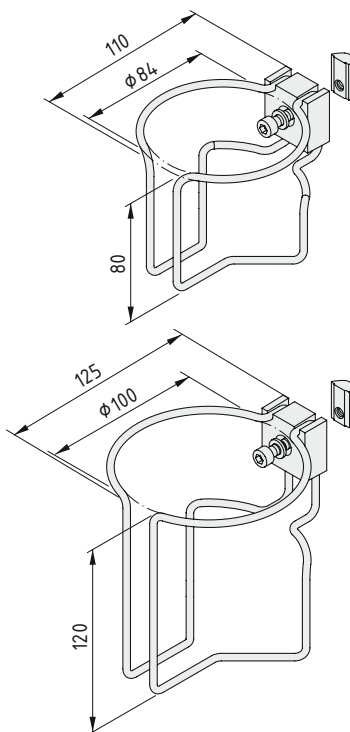


Cup Holder 8

item keeps your mug or cup within easy reach, ready for those all-important tea breaks!
Cup Holder (diameter 84 mm) made from stainless steel wire.

Bottle Holder 8

Keep refreshment close to hand – with the item Bottle Holder.
Holder for bottles or cans up to 100 mm in diameter. Made from stainless steel wire.



Cup Holder 8



Wire, St, stainless
Wire mount, PA-GF
Hexagon Socket Head Cap Screw DIN 912-M6x20, St, bright zinc-plated
Washer DIN 433-6.4, St, bright zinc-plated
T-Slot Nut V 8 St M6, bright zinc-plated
m = 114.0 g

black, 1 set	0.0.624.34
grey, 1 set	New 0.0.634.78

Bottle Holder 8




Wire, St, stainless
Wire mount, PA-GF
Hexagon Socket Head Cap Screw DIN 912-M6x20, St, bright zinc-plated
Washer DIN 433-6.4, St, bright zinc-plated
T-Slot Nut V 8 St M6, bright zinc-plated
m = 140.0 g

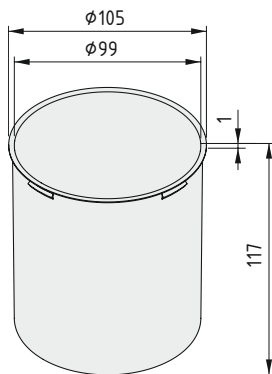
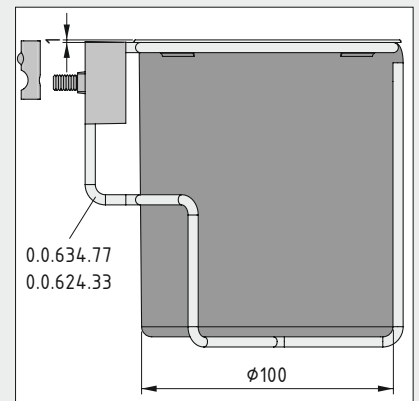
black, 1 set	0.0.624.33
grey, 1 set	New 0.0.634.77

For large and small bottles.

Available in grey or black

New  **Bottle Holder 8 Insert**

This insert opens up a whole new range of applications for Bottle Holder 8. When used with this insert, the Bottle Holder can safely accommodate bottles of any size or be used as a sizeable container (0.8l) for materials and tools. A choice of two colours – grey or black – also enables users to differentiate between different uses.



Bottle Holder 8 Insert 

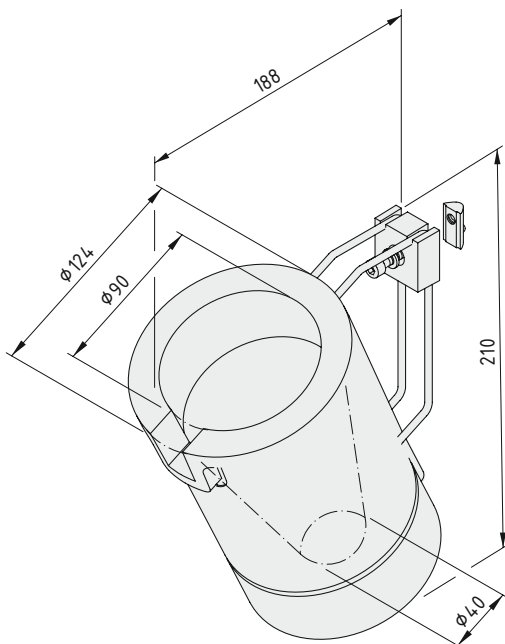
PP
Dishwasher safe
m = 39.0 g

black, 1 pce.	0.0.649.45
grey, 1 pce.	0.0.647.81

Safe and sound.

Tool Holder D120

Keep heavy hand tools within easy reach – with the item Tool Holder. Electric drivers or special tools are held safely and securely in the holster until they are needed. The Tool Holder comprises stainless steel wire and a flexible plastic holster with a tapered internal diameter of 90 mm to 40 mm.



Tool Holder D120

Tool Holder holster, PUR, black
Wire, St, stainless
Wire mount, PA-GF, black
Hexagon Socket Head Cap Screw DIN 912-M6x20
Washer DIN 433-6.4
T-Slot Nut V 8 St M6
m = 510.0 g

1 set

0.0.626.88

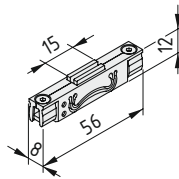


Magnetic attraction.



Magnetic Holder 8

Its pull is irresistible – the item Magnetic Holder!
 For securely stowing metallic objects such as spanners, etc. on the groove
 of the non-magnetic aluminium Profile.
 Magnetic Holder 8 can be fitted into a Profile 8 groove in next to no time.
 Holding force $F = 40\text{ N}$



Magnetic Holder 8



Magnet housing half 8, PA-GF, grey, similar to RAL 7042
 2 magnets 20x5x2, St, nickel-plated
 2 Magnetic Stops 8, terminal shoes, St, bright zinc-plated
 2 Countersunk Screws DIN 7991-M3x10, St, bright zinc-plated
 2 square nuts DIN 562-M3, St, bright zinc-plated
 $m = 18.0\text{ g}$

grey similar to RAL 7042, 1 pce.

0.0.627.86



Keep on running.



Runner Runner 8

The item Runner is available in two different designs. In both cases, accessories are connected via a sturdy spring hook.

Runner 8 is a simple model with a load-carrying capacity of 50 N that is suspended from a Profile 8 groove. Runner 8 80x40 is a heavy-duty Runner for Profile 8 grooves designed for loads of up to 200 N. Integrated slide inserts made of special plastic ensure that tools, balancers etc. can be moved easily, with low wear.

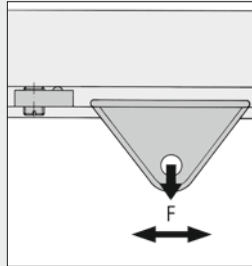
Runner 8 80x40 is of split design. It can therefore be retrofitted into existing frames without the need for any dismantling.

Additional holes enable feed cables to be secured with cable ties.

Runner 8 is a simple model with a load-carrying capacity of 50 N that is suspended from a Profile 8 groove.

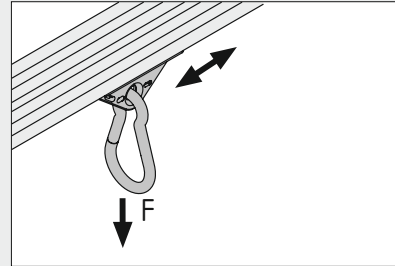


Hanger which can be moved along the profile groove and is used for suspending tools, balancers etc.



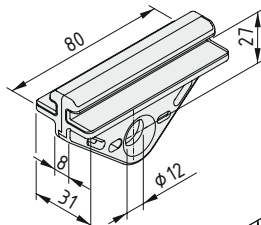
A T-Slot Nut is recommended as the end stop. It is secured in the groove by the grub screw.

$F_{max.} = 50 \text{ N}$



The corrosion-resistant Spring Hooks enable easy attachment to the Runner and rapid tool changes.

- Spring Hook 60 D6: Recommended max. tensile force $F = 100 \text{ N}$
- Spring Hook 80 D8: Recommended max. tensile force $F = 200 \text{ N}$

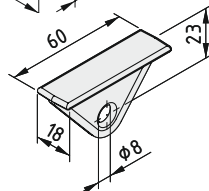


Runner 8 80x40

2 runner halves, PA-GF, black
2 slide elements, POM, natural
 $m = 39.0 \text{ g}$

1 set

0.0.618.97

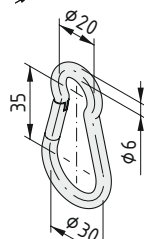


Runner 8

PA-GF
 $m = 8.0 \text{ g}$

black, 1 pce.

0.0.026.13

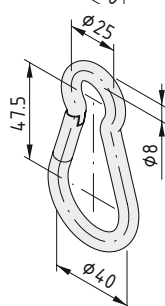


Spring Hook 60 D6

St
Spring hook similar to DIN 5299
 $m = 25.4 \text{ g}$

stainless, 1 pce.

0.0.619.68



Spring Hook 80 D8

St
Spring hook similar to DIN 5299
 $m = 67.0 \text{ g}$

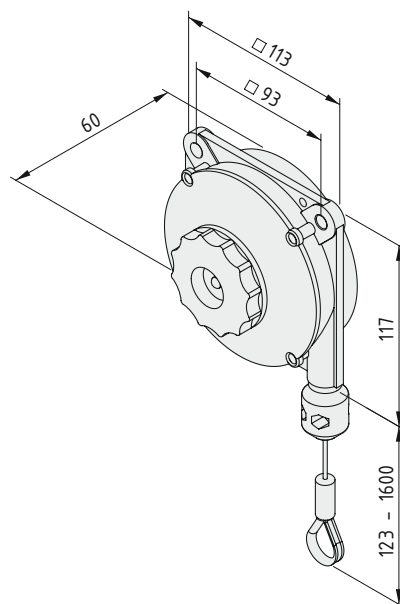
stainless, 1 pce.

0.0.619.70

Finding the right balance.

Tool Balancer

The new Tool Balancers from item ensure everything is in perfect equilibrium. The retraction force is manually adjustable and an integrated securing loop is included. They can be easily adjusted to suit the reach of the operator. Simply select the Tool Balancer that is most suitable for your tools – 0.4 to 1 kg, 1 to 2 kg or 2 to 3 kg.



Tool Balancer 0.4-1 kg

Die-cast aluminium
Wire cable, diameter 2 mm, St, stainless
m = 0.6 kg

1 pce.

0.0.631.84

Tool Balancer 1-2 kg

Die-cast aluminium
Wire cable, diameter 2 mm, St, stainless
m = 0.6 kg

1 pce.

0.0.636.48

Tool Balancer 2-3 kg

Die-cast aluminium
Wire cable, diameter 2 mm, St, stainless
m = 0.7 kg

1 pce.

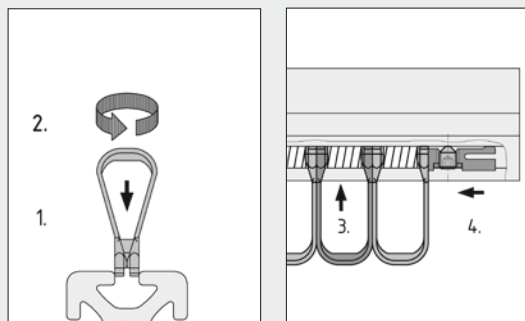
New 0.0.649.96

Rank and file.



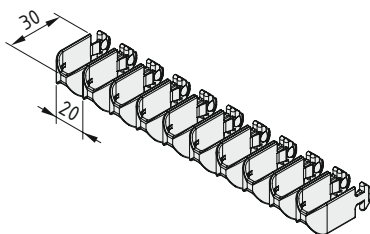
Tool Holder 8

Tool Holder 8 can be fitted at any point in the groove of Profiles 8. Its spring-loaded elements made from flexible plastic clamp tools firmly in place.



Installation sequence:

1. Insert the loop into the groove
2. Turn it by 90°
3. Insert the spring into the groove
4. Secure the Tool Holder in the groove, e.g. using T-Slot Nut 8 St/PA M6 and grub screw DIN 914-M6x8.



Tool Holder 8

10 loops, PA-GF, black
10 compression springs
m = 40.0 g

1 set = 10 elements

0.0.474.50