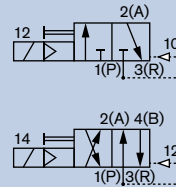


3/2 and 4/2-way Solenoid Valve for pneumatic systems, for self-connecting block mounting

- Valve discs individually self-connecting
- With manual override
- 3-way version with check valve
- Extreme switching reliability
- Flexible block compilation



Type 5470 R is available as a 3/2 and 4/2-way valve. The valves can be mounted together individually using the module flange. They can be snapped together with the connection modules to form valve blocks.

Power consumption

Corresponds to the effective coil power in the ordering chart.

Technical Data

| | |
|--|--|
| Orifice | DN4.0 mm |
| Body material | Polyamide (PA) |
| Valve internal | Ultramide |
| Seal material | NBR |
| Media | Compressed air, neutral gases (5 µm filtering) |
| Media temperature | -10 °C to +50 °C |
| Ambient temperature | -10 °C to +55 °C |
| Supply port 1 and 3 | Module flange |
| Service port 2 and 4 (Versions) | Threaded port G 1/8" Tube connection SL 6/4 mm (on request) Push-in connection Ø 6 mm Threaded port NPT 1/8" (on request) |
| Voltage tolerance | ± 10% |
| Duty cycle | 100% continuous operation |
| Electrical connection | Tag connector above acc. to DIN EN 175301-803 (previously DIN 43650) for cable plug, Form C and side by side cable plug Type 1057-SA and rectangular plug (5.08 mm) Type 2505 (not included) |
| Protection class | IP65 with cable plug IP20 with Type 1057-SA or IP40 with rectangular plug (5.08 mm) |
| Installation | As required, preferably with actuator upright |
| Response times ¹⁾ | |
| DC opening | 15 ms |
| DC closing | 12 ms |
| AC opening | 15 ms |
| AC closing | 20 ms |

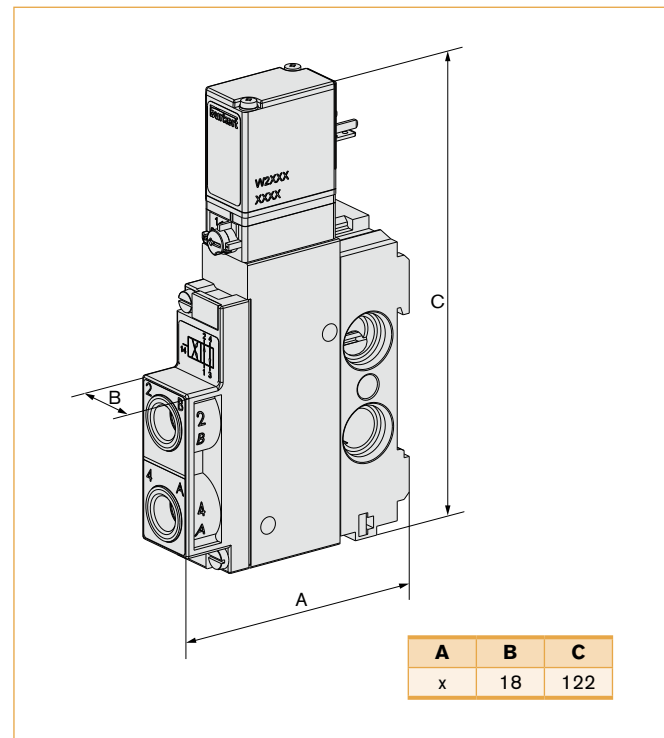
¹⁾ Measured at valve outlet at 6 bar and +20 °C

Opening: pressure rise 0 to 90%, closing: pressure drop 100 to 10%

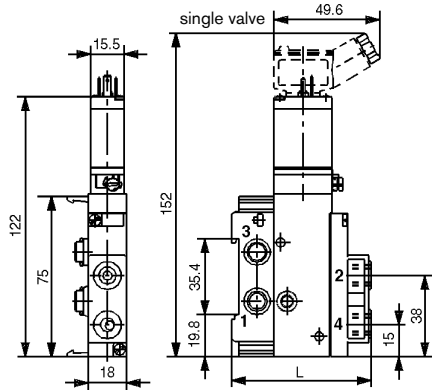
Options

- Type of protection: Explosion protection Ex i
- Without manual override
- Normally open circuit function

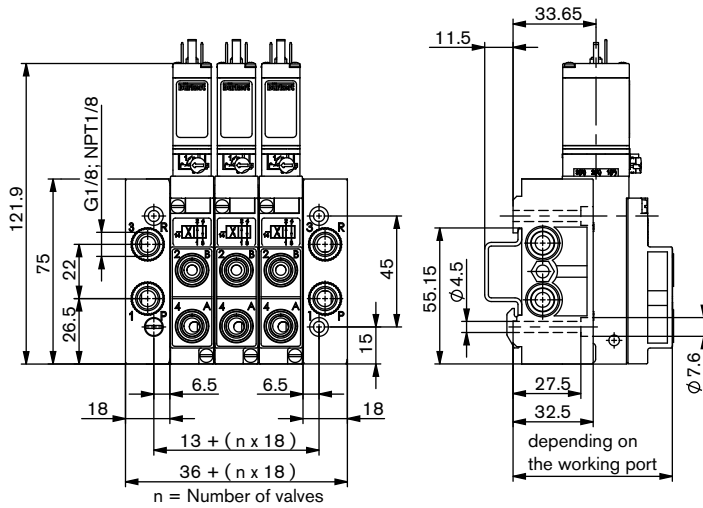
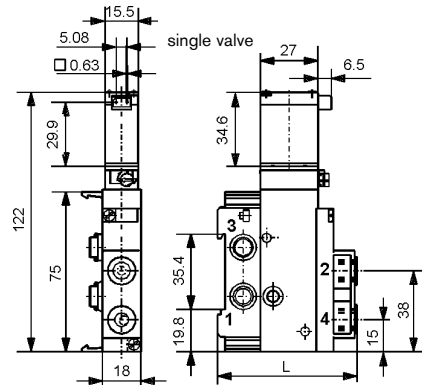
Envelope Dimensions [mm]



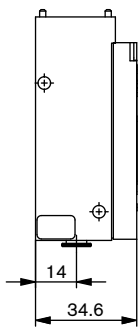
Valve with tag connector above



Valve with rectangular plug on the side

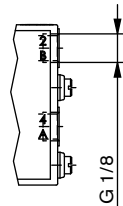


Variation A



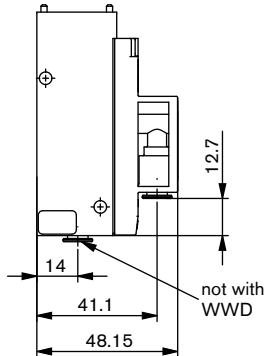
Push-in connection for tube, Ø6 mm below, WWC

Variation B



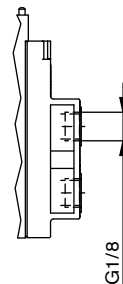
G 1/8" sideways mit restricted feedback valve

Variation C



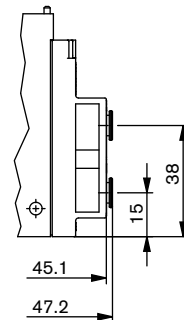
Push-in connection for tube, Ø6 mm below, WWD or G

Variation E



G 1/8" sideways

Variation F



Push-in connection, Ø6 mm sideways

Ordering Chart

5470 R

| Circuit function | Orifice [mm] | Q _{Nn} value air [l/min] | Pressure range [bar] | Service port 2 and 4 | Voltage/frequency [V/Hz] | Power consumption [W] | Item no. DC coil ■■ | Item no. UC coil ■■■ |
|--|--------------|-----------------------------------|----------------------|---|--------------------------|-----------------------|---------------------|----------------------|
| Extendable single valve with module flange for supply ports 1 and 3, tag connector above, supplied without cable plug | | | | | | | | |
| C 3/2-way valve, normally closed ■ | 4.0 | 300 | 2-10 | Push-in connection Ø 6 mm below with check valve (Option A) | 024/DC/UC | 2 | 136 872 | – |
| | | | | | 220-240/DC/UC | 3 | 136 874 | 145 971 |
| G 4/2-way valve | 4.0 | 300 | 2-10 | G 1/8" at side (Option E) | 024/DC/UC | 2 | 136 881 | – |
| | | | | | 220-240/DC/UC | 3 | 136 883 | 145 980 |
| | | | | G 1/8" at side with one-way flow restrictor (Option B) | 024/DC/UC | 2 | 136 884 | – |
| | | | | | 220-240/DC/UC | 3 | 136 886 | 145 983 |
| | | | | Push-in connection Ø 6 mm at side (Option F) | 024/DC/UC | 2 | 136 887 | – |
| | | | | | 220-240/DC/UC | 3 | 136 889 | 145 986 |
| | | | | Push-in connection Ø 6 mm underneath (Option C) | 024/DC/UC | 2 | 136 890 | – |
| | | | | | 220-240/DC/UC | 3 | 136 892 | 145 989 |

■ 3/2-way models with non-return valve in the module flange

■■ Only for direct current operation (DC), for alternating current (AC), place a cable plug with a rectifier upstream

■■■ For universal current operation (UC = DC or AC); rectifier, varistor and LED integrated into the coil

| Circuit function | Orifice [mm] | Q _{Nn} value air [l/min] | Pressure range [bar] | Service port 2 and 4 | Voltage/frequency [V/Hz] | Power consumption [W] | Item no. DC coil |
|--|--------------|-----------------------------------|----------------------|---|--------------------------|-----------------------|------------------|
| Extendable single valves with module flange for supply ports 1 and 3, with rectangular plug | | | | | | | |
| C 3/2-way valve, normally closed | 4.0 | 300 | 2-10 | Push-in connection Ø 6 mm under with RSV (Option A) ■ | 024/DC | 2 | 145 993 |
| G 4/2-way valve | 4.0 | 300 | 2-10 | G 1/8" with 1-way restrictor valve (Option B) | 024/DC | 2 | 145 997 |
| | | | | Push-in connection Ø 6 mm on side (Option F) | 024/DC | 2 | 145 998 |
| | | | | Push-in connection Ø 6 mm underneath (Option C) | 024/DC | 2 | 145 999 |

■ RSV = non-return valve

Accessories

| Version | Port connection | Item no. DC coil |
|---|----------------------------|---------------------|
| Connector modules and accessories for valve blocks | | |
| Connector module, left | G 1/8" | 133 175 |
| | G 1/4" | 132 512 |
| | Push-in connection Ø 8 mm | 623 755 |
| | Push-in connection Ø 10 mm | 623 762 |
| Connector module, right | G 1/8" | 133 177 |
| | G 1/4" | 132 514 |
| | Push-in connection Ø 8 mm | 623 770 |
| | Push-in connection Ø 10 mm | 623 784 |
| Intermediate supply | G 1/8" | 627 742 |
| | G 1/4" | 631 288 |
| | Push-in connection Ø 8 mm | 631 287 |
| | Push-in connection Ø 10 mm | 631 290 |
| Blanking plug | G 1/8" | 631 019 |
| | G 1/4" | 631 020 |
| Blanking plug | Ø 6 mm | 015 397 |
| | Ø 8 mm | 900 065 |
| Covering plate | for unused valve positions | 643 223 |

5470 R

| Version | Item no. DC coil |
|--|---------------------|
| Additional accessories | |
| Extendable cable plug Type 1057-SA, IP20, with looped-through neutral and protective conductor (only for 24 V) | 647 357 |
| Protective conductor and neutral cable kit | 629 262 |
| Control line with AMP plug, 540 mm wires | 629 181 |
| Rectangular connector, matrix 5.08 mm, with 3 m cable | 133 486 |
| Rectangular connector, matrix 5.08 mm, with 300 mm wires | 644 068 |
| Rectangular connector, matrix 5.08 mm, with 2 single contacts | 644 067 |
| Standard 300 mm rail for 8-12-way block with intermediate supply (IS) or for 8-14-way block without IS | 640 789 |
| Standard 498 mm rail for 17-22 block with 2 intermediate supply (IS) or for 18-23 block with 1 IS | 630 579 |