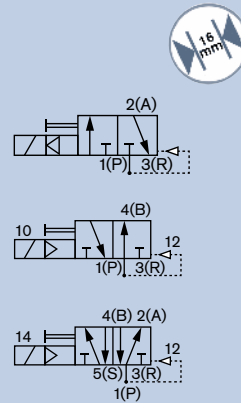


3/2 and 5/2-way Solenoid Valve for pneumatic

6526 / 6527

- Modular valve block with 16.5 mm mounting pitch
- Low power consumption
- Rocker pilot in DC
- Fast response times

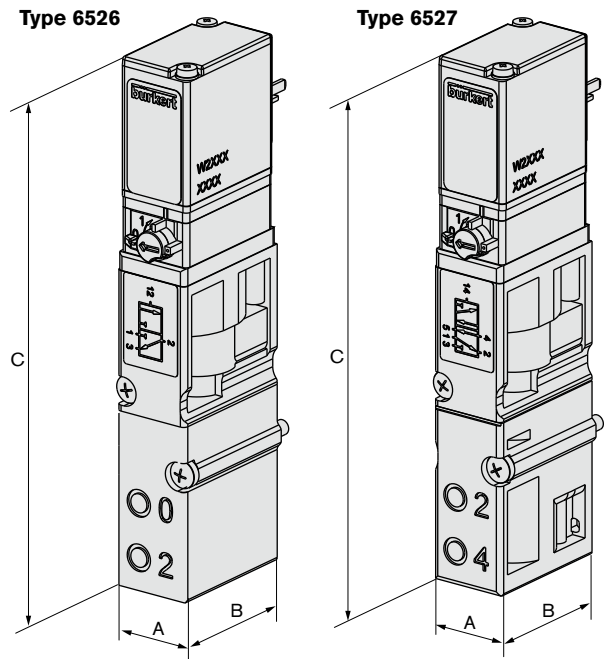


A compact manifold with a pitch of 16.5 mm per station can be put together from the components of Type 6526 / 6527. Type 6526 / 6527 consists of a pilot rocker valve, Type 6106 and a pneumatic seat valve. The rocker principle allows switching of high pressures together with low power consumption and fast response times. All valves are equipped with manual override as a standard.

Technical Data

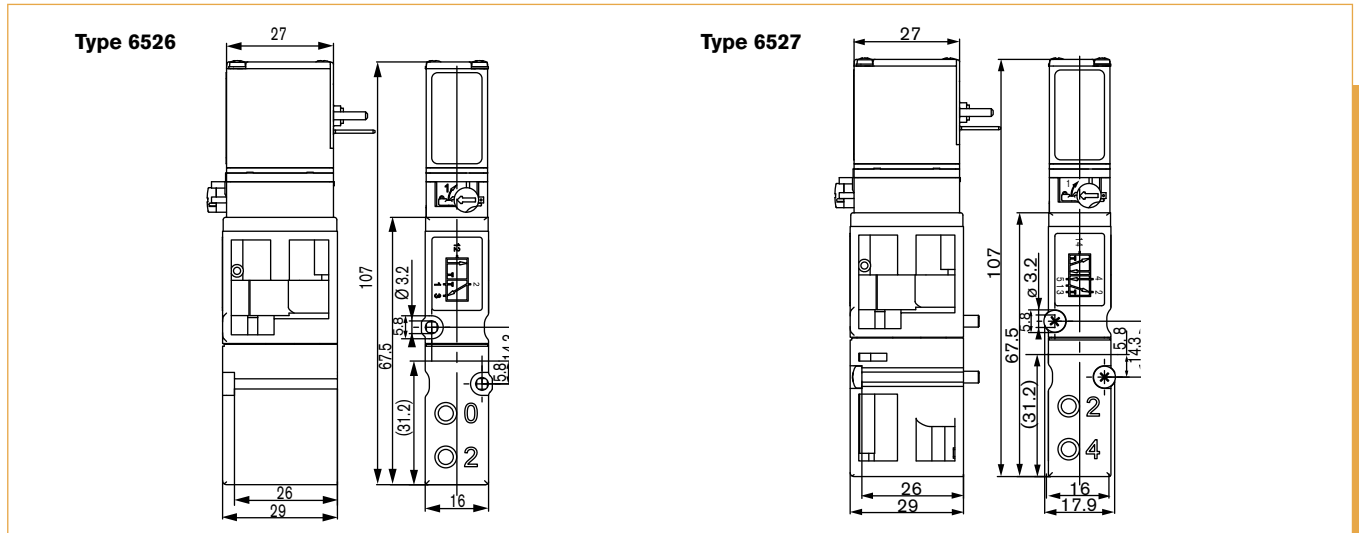
Orifice	DN6.0 mm
Body material	PA (Polyamide)
Seal material	NBR
Media	Lubricated and non-lubricated dry air; neutral gases (10 µm filtering)
Media temperature	-10 °C to +50 °C
Ambient temperature	-10 °C to +55 °C
Manual override	Standard
Port connection	Flange for MP12
Pneumatic module	Type MP12 with G 1/8", Push-in connection Ø 8 mm
Voltage tolerance	±10%
Voltage	24 V DC
Nominal power	2 W, 1 W
Duty cycle	Continuous operation (100% ED)
Electrical connection	Tag connector acc. to DIN EN 175301-803 (previously DIN 43650) for cable plug, Form C (not included)
Protection class	IP65 (with cable plug)
Weight	Type 6526 85 g Type 6527 95 g
Mounting	with 2 screws M3x30
Installation	As required, preferably with actuator upright

Envelope Dimensions [mm] (see datasheet for details)



A	B	C
16	29	107

Envelope Dimensions [mm] (see datasheet for details)



6526 / 6527

Ordering Chart

Circuit function	Orifice [mm]	Qn value air [l/min]	Pressure range [bar]	Power consumption [W]	Response times		Item no. 024 V DC
					Opening [ms]	Closing [ms] ³⁾	
3/2-way solenoid valve without cable plug, Type 6526							
C 3/2-way valve normally closed	6	700	1.0 - 10	2	20	12	156 842 ²⁾
			1.0 - 10	2	20	12	163 028 ¹⁾
			2.0 - 10	2	20	12	156 318 ²⁾
			2.0 - 10	2	20	12	158 944 ¹⁾
			2.0 - 8.0	1	20	12	158 947 ¹⁾
D 3/2-way valve normally open	6	700	1.0 - 10	2	20	12	163 029 ¹⁾
			2.0 - 10	2	12	20	156 320 ²⁾
			2.0 - 10	2	20	12	158 946 ¹⁾

- 1) Electrical connection above manual override.
- 2) "long version": can be mounted together with Type 6527 on a valve island.
- 3) In combination with valve islands the closing time will be approx. 5 ms longer.

Circuit function	Orifice [mm]	Qn value air [l/min]	Pressure range [bar]	Power consumption [W]	Response times		Item no. 024 V DC
					Opening [ms]	Closing [ms] ³⁾	
5/2-way solenoid valve without cable plug, Type 6527							
H 5/2-way valve	6	700	1.0 - 10	2	20	12	156 828
			1.0 - 10	2	20	12	163 030 ¹⁾
			2.0 - 10	2	20	12	156 337
			2.0 - 10	2	20	12	158 942 ¹⁾
			2.0 - 8.0	1	20	17	156 827
			2.0 - 8.0	1	20	12	158 943 ¹⁾

- 1) Electrical connection above manual ride.
 - 2) In combination with valve islands the closing time will be approx. 5 ms longer.
- Flow rate, Qn-value air [l/min]: Measured at +20 °C, 6 bar pressure at valve inlet and 1 bar pressure difference
 Pressure values [bar]: Measured as overpressure to the atmospheric pressure
 Response times [ms]: Measures acc. to ISO 12238