



TYPE A
Flared Tube Union



TYPE T
Flared Tube Tee



TYPE B
Flared Tube and Pipe Thread Nipple



TYPE L
Flared Tube Elbow



TYPE AH
Flared Tube Bulkhead Union



TYPE AR
Flared Tube Reducer

CHEMIQUIP PRESSURE SNUBBERS WITH TUBING CONNECTIONS

for Refrigeration, and Other Applications

ENGINEERING DATA:

RECOMMENDED POROSITIES:

Type of Service	Porosity Designation	Micron Rating
Highly Viscous Fluids (over 500 S.S.U.)	C	.75
Oils (225 to 500 S.S.U.)	D	.40-45
Water and Light Oils (30 to 225 S.S.U.)	E	.10
Vapor and Low Viscosity Fluids (under 30 S.S.U.)	F	.7
Air or other Gases	G	2-5
Pulsating Gas	HX	1
Extreme Gas Pulsation	HXX	1/2

Note: Other porosities available on special order

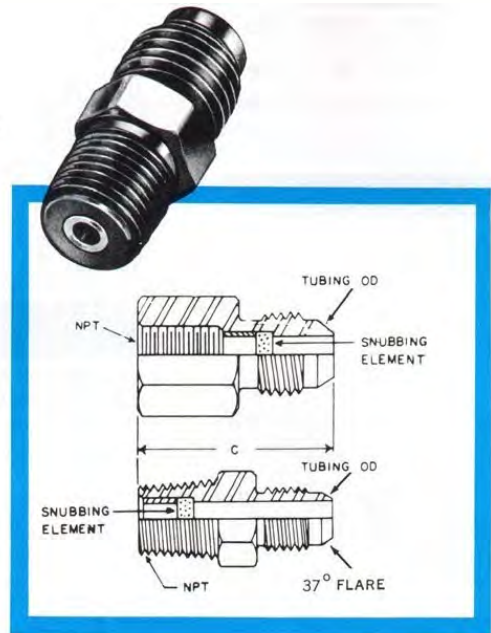
STANDARD MATERIALS OF CONSTRUCTION:

Housing: Cadmium-plated Carbon Steel; Stainless Steel (300 Series)

Porous Disc: Stainless Steel Type 316

DIMENSIONS:

Catalog number	Tubing (O.D.)	Pipe npt	Overall Length (C)
12-FR-4	1/4"	1/8" Female	1 3/16"
12-FR-5	5/16"	1/8" Female	1 3/16"
25-FR-4	1/2"	1/4" Female	1 3/8"
25-FR-5	5/16"	1/4" Female	1 7/16"
25-FR-6	3/8"	1/4" Female	1 7/16"
12-MR-4	1/4"	1/8" Male	1 1/8"
12-MR-5	5/16"	1/8" Male	1 3/16"
25-MR-4	1/2"	1/4" Male	1 3/8"
25-MR-5	5/16"	1/4" Male	1 7/16"
25-MR-6	3/8"	1/4" Male	1 7/16"



Add suffix to Catalog Number to indicate desired Porosity (e.g. 12-FR-4C)