

29 Megapixel JPEG2000 Color HD Pro Camera



Avigilon's end-to-end surveillance solutions deliver image detail no other system can match. Avigilon Control Center software, featuring High-Definition Stream Management™ (HDSM™) technology combined with our broad range of megapixel cameras (from 1 MP to 29 MP) provide unprecedented clarity—while effectively managing storage and bandwidth requirements. Our components are scalable and can work together in an end-to-end system, or can be customized to create your own powerful and cost-effective solution.

The innovative HD Pro camera is just one way Avigilon can help provide the very best monitoring and protection.



JPEG2000 HD Pro cameras start at 8 MP and go all the way up to an industry-leading 29 MP — using E/EF mount lenses for the best optical quality and remote focus. These cameras are mainly used for covering vast areas in high detail, making them effective for monitoring logistics and the movement of goods, as well as stadiums, ports, transportation, critical infrastructure, and municipal grounds and buildings.

KEY FEATURES

- 29 megapixel progressive scan CCD sensor
- 2 images per second at full resolution
- 64 db true dynamic range
- 0.1 lux minimum illumination
- 35 mm diagonal image sensor
- Lossless JPEG2000 compression
- Unsurpassed image quality
- Automatic exposure control and iris control
- Software focus control
- Compatible with a wide selection of Canon® EF mount lenses
- Power over Ethernet, 24 VAC or 12 VDC power input
- External I/O and RS-485 interface

Specifications

CAMERA		
Image Sensor		35 mm progressive scan interline transfer CCD
Active Pixels		6576 (H) x 4384 (V)
Imaging Area		36.1 mm (H) x 24.0 mm (V); 1.422" (H) x 0.946" (V)
Minimum Illumination		0.1 lux (at F1.4)
Dynamic Range		64 dB
Lens Mount		EF (SLR-style bayonet)
Image Compression Method		JPEG2000
Image Rate		2 (at full resolution)
Motion Detection		Selectable sensitivity and threshold
Electronic Shutter Control		Automatic, Manual (2 to 1/60000 sec)
Iris Control		Automatic, Manual
Focus Control		Motorized, Manual
Flicker Control		50 Hz, 60 Hz
White Balance		Automatic, Manual
Backlight Compensation		Automatic
Privacy Zones		Up to 4 zones
External I/O Terminals		Alarm In, Alarm Out, RS-485

NETWORK		
Network		100BASE-TX
Cabling Type		CAT5
Connector		RJ-45
Security		SSL
Protocol		UDP, TCP, SOAP, DHCP, Zeroconf

MECHANICAL		
Dimensions (LxWxH)		120 mm x 79 mm x 74 mm (4.7" x 3.1" x 2.9")
Weight		115 kg (2.5 lbs) without lens
Camera Mount		1/4" UNC-20 (top and bottom)

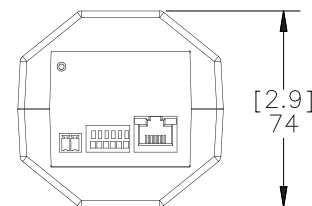
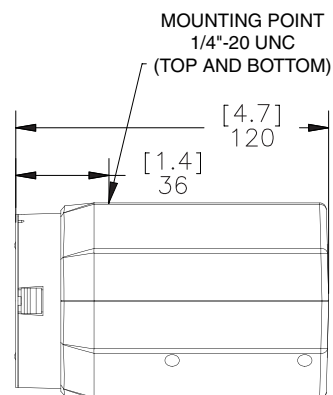
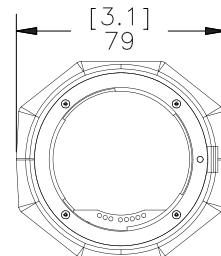
ELECTRICAL		
Power Source		VDC: 12-24 V VAC: 24 V PoE: IEEE802.3af Class 3 compliant
Power Consumption		13 W
Power Connector		2-pin terminal block

ENVIRONMENTAL		
Operating Temperature		-10 °C to +50 °C (14 °F to 122 °F)
Storage Temperature		-10 °C to +70 °C (14 °F to 158 °F)
Humidity		20 - 80% Relative humidity (non-condensing)

CERTIFICATIONS			
Safety		UL 60950 CSA 60950 EN 60950-1	CE ROHS WEEE
Electromagnetic Emissions		FCC Part 15 Subpart B Class A IC ICES-003 Class A EN 55022 Class A	EN 61000-6-3 EN 61000-3-2 EN 61000-3-3
Eletromagnetic Immunity		EN 50130-4 EN 61000-4-2 EN 61000-4-3 EN 61000-4-4	EN 61000-4-5 EN 61000-4-6 EN 61000-4-11

ORDERING INFORMATION		
29MP-HD-PRO-C		29 Megapixel JPEG2000 Color HD Pro Camera

Outline Dimensions



[X.X]	INCHES
X	MM