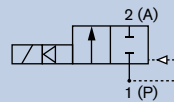


2/2-way hard-coupled Solenoid Valve

0290

G 1/2" - G 2"

- Switches without differential pressure
- Operates on vacuum
- Process proven rugged and reliable design



One of the ever reliable workhorses of the Bürkert solenoid range this hard-coupled solenoid valve with plunger piloted rugged diaphragm seal is perfect for vacuum, neutral gases and liquids. The high-performance design is available in brass and stainless steel with a range of diaphragm and seal materials.

Technical Data

Medium temperature ¹⁾	NBR	-10 °C to +80 °C
	FKM	0 °C to +120 °C
	EPDM	-30 °C to +120 °C
Ambient temperature	+55 °C, max.	
Voltage tolerance	±10%	
Duty cycle	100% continuous rating	
Body material	Brass, stainless steel 1.4581	
Seal material	NBR, EPDM or FKM	
Coil material	Epoxy (Class H)	
Protection class	IP65 (with cable plug)	
Electrical connection	Cable plug acc. to DIN EN 175301-803, Form A (included)	

¹⁾ Max. medium temperature for versions with high power electronics (with coding... /UC) withstands 90 °C

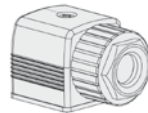
Orifice [mm]	Power consumption				Response times ²⁾	
	Inrush AC [VA]	UC [W]	Hold AC [VA/W]	UC [W]	Opening [ms]	Closing [ms]
12	100	80	25/10	6	100	700
20	120	100	32/16	9	to	to
25	120	100	32/16	9	250	2000
32	120	100	32/16	9	300	700
40	120	100	32/16	9	to	to
50	-	30	-	30	1000	4000

²⁾ Measured at valve outlet at 6 bar and +20 °C, pressure rise 0 to 90%, pressure drop 100 to 10%

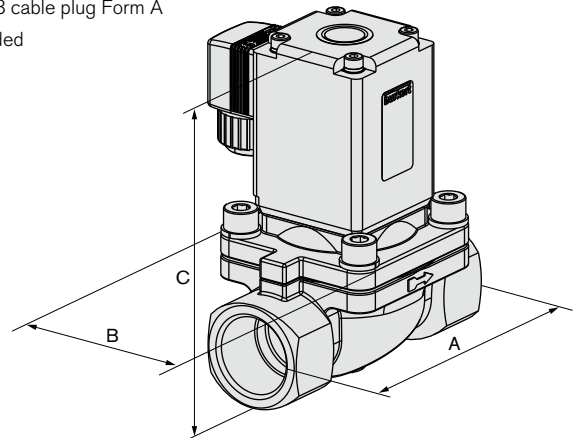
Options

- EPDM seals
- Cable plug with LED and varistor
- Oxygen version
- UR/CSA approval
- KTW approval
- Flange connection acc. to DIN 2501 (DN25-50 mm)

Envelope Dimensions [mm] (see datasheet for details)



2508 cable plug Form A included



Size	A	B	C
G 1/2"	74.5	70	95.5
G 3/4"	100	70	122
G 1"	115	70	131
G 1 1/4"	126	70	145
G 1 1/2"	126	70	154
G 2"	164	70	211

Ordering Chart

Port connection [inch]	Orifice [mm]	Kv value water [m ³ /h]	Pressure range [bar]	Seal material	Item no. voltage/frequency [V/Hz]		
					024/50	024/UC/DC ¹⁾	230/50
A 2/2-way valve normally closed							
Brass body							
G 1/2	12	1.8	0 - 16	EPDM	045 931	049 050	044 816
G 3/4	20	5			065 033	058 427	045 290
G 1	25	10			054 245	057 155	045 291
G 1 1/4	32	16	0 - 12		-	-	085 259
G 1 1/2	40	16			-	-	087 732
G 2	50	38			-	-	077 494 ²⁾
G 1/2	12	1.8	0 - 16	NBR	043 816	050 294	044 373
G 3/4	20	5			058 766	049 518	045 292
G 1	25	10			048 171	053 675	045 293
G 1 1/4	32	16	0 - 12		085 290	085 291	052 513
G 1 1/2	40	16			085 294	085 295	085 297
G 2	50	38			-	-	085 301
Stainless steel body							
G 1/2	12	1.8	0 - 16	EPDM	045 765	048 606	043 553
G 3/4	20	5			066 460	059 910	065 025
G 1	25	10			-	018 348	059 901
G 1/2	12	1.8	0 - 16	FKM	048 708	049 987	042 888
G 3/4	20	5			065 362	066 381	064 701
G 1	25	10			018 121	065 542	066 125

¹⁾ The coil for UC power supply is provided with an integrated high power electronic. Please check sufficient power supply

²⁾ The valve is provided with a cable plug with integrated rectifier