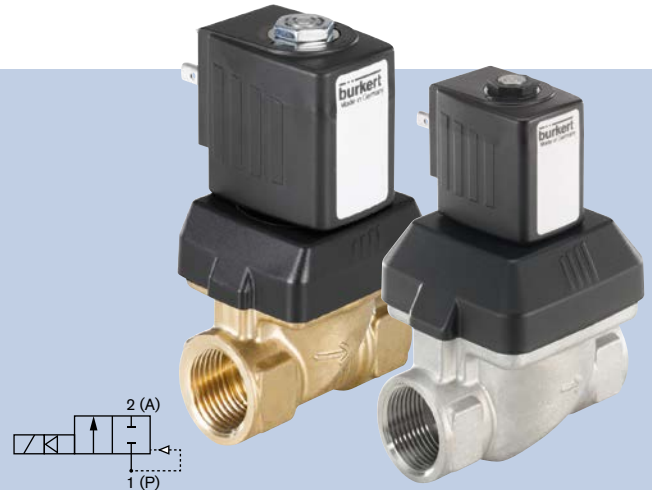


## 2/2-way Solenoid Valve for liquids and gases

6213 EV

- Coupled spring diaphragm system opened
- Waterhammer free and low noise
- Flow-optimized housing and diaphragm geometry for high flow



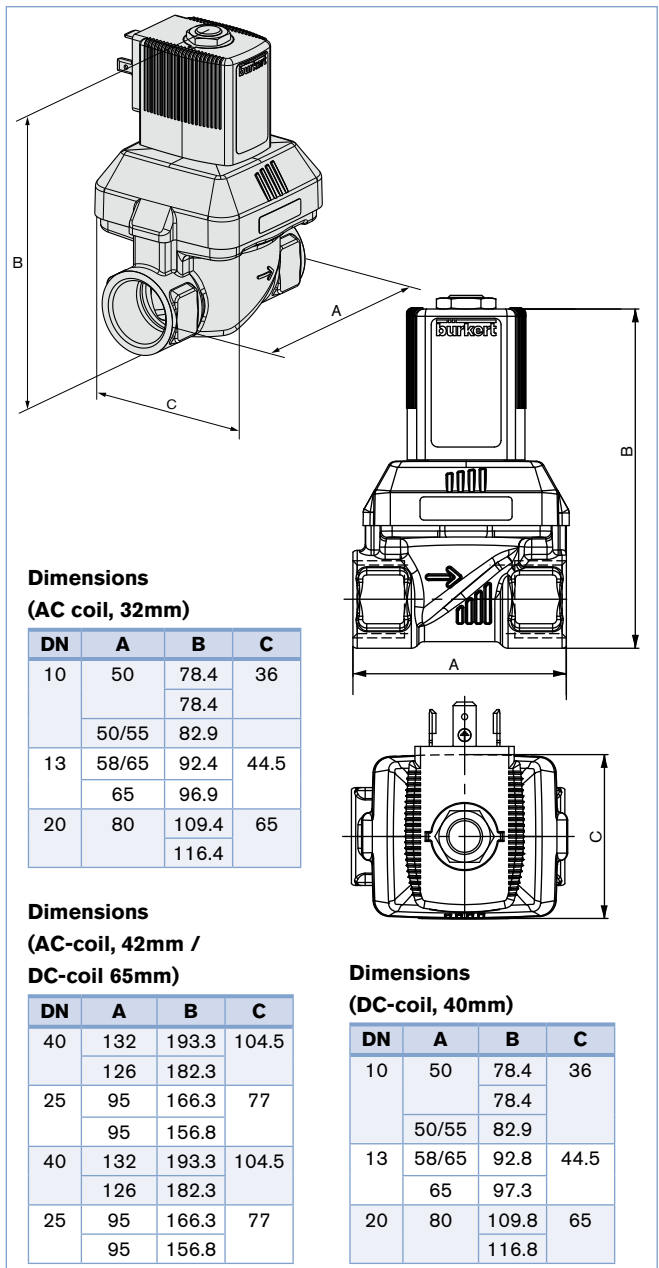
Type 6213 EV is a 2/2-way normally closed solenoid valve with a spring coupled diaphragm system. It is universally used for liquids. A minimum differential pressure of 0.5 bar is required for full opening.

### Technical Data

<b>Orifice</b>	Standard DN10-40 mm
<b>Body material</b>	Brass acc. to DIN EN 50930-6, stainless steel 1.4408 (316)
<b>Inner part of valve</b>	
Brass body	Brass, stainless steel and PPS
Stainless steel body	Stainless steel and PPS
<b>Seal material</b>	NBR, FKM, EPDM
<b>Medium</b>	
NBR	Neutral fluids, water, hydraulic oil, oil without additives
FKM	Per-solutions, hot oils with additives
EPDM	Oil and fat-free fluids and gases
<b>Ambient temperature</b>	Max. +55 °C
<b>Medium temperature</b>	
NBR	-10 °C to +80 °C
FKM	0 °C to +90 °C with polyamide coil 0 °C to +120 °C with epoxy coil
EPDM	-30 °C to +90 °C with polyamide coil -30 °C to +100 °C with epoxy coil
<b>Voltages</b>	Standard 024/DC, 024/50, 230/50
<b>Voltage tolerance</b>	±10%
<b>Duty cycle</b>	100% continuous rating
<b>Electrical connection</b>	Tag connector acc. to DIN EN 175301-803 Form A (previously DIN 43650) for cable plug Type 2508 (not included)
<b>Protection class</b>	IP65 with cable plug
<b>Installation</b>	As required, preferably with actuator upright
<b>Response times<sup>1)</sup></b>	0.1-4 seconds (depending on orifice and differential pressure)

<sup>1)</sup> Measured at valve outlet at 6 bar and +20 °C  
Opening: pressure build-up 0 to 90%  
Closing: Pressure drop 100 to 10%

### Envelope Dimensions [mm] (see datasheet for details)



Orifice DN	Power consumption <sup>1)</sup>			Insulation class coil <sup>2)</sup>	
	Inrush AC [VA]	Hold (hot coil)		Seal material FKM	Seal material NBR and EPDM
		AC [VA/W]	DC [W]		
10	34	14/8	10 (11)	H	B
10	34	14/8	10 (11)	H	B
13	36	14/8	10 (11)	H	B
13	36	14/8	10 (11)	H	B
20	38	14/8	10 (11)	H	B
20	38	14/8	10 (11)	H	B
25	150	37/16	28 (29)	H	H
25	150	37/16	28 (29)	H	H
40	190	37/16	28 (29)	H	H
40	190	37/16	28 (29)	H	H

<sup>1)</sup> Values in brackets applies at coil temperature 20 °C

<sup>2)</sup> H Epoxy coil, B Polyamide coil

## Ordering Chart

Circuit function	Port connection [inch]	Orifice [mm]	Kv value water [m³/h]	Pressure range [bar]	Item no. voltage/frequency [V/Hz]		
					024/DC	024/50	230/50
<b>Brass body, FKM diaphragm, Epoxy coil, medium temperature 0 to +120 °C</b>							
A 2/2-way valve normally closed	G 1/4	10	1.9	0 - 10	221 678	221 679	221 681
	G 3/8	10	1.9	0 - 10	221 610	221 611	221 613
	G 1/2	10	1.9	0 - 10	221 614	221 615	221 616
	G 1/2	13	3.6	0 - 10	221 622	221 623	221 625
	G 3/4	13	3.6	0 - 10	221 626	221 627	221 629
	G 3/4	20	8.3	0 - 10	221 638	221 639	221 641
	G 1	20	8.3	0 - 10	221 642	221 643	221 645
	G 1	25	11.0	0 - 10	227 537	221 733	221 736
	G 1 1/4	25	11.0	0 - 10	227 538	221 737	221 740
	G 1 1/2	40	30	0 - 10	227 544	227 724	227 726
G 2	40	30	0 - 10	227 545	227 728	227 730	
<b>Brass body, EPDM diaphragm, Polyamide coil, medium temperature -30 to +90 °C</b>							
A 2/2-way valve normally closed	G 1/4	10	1.9	0 - 10	221 670	221 671	221 673
	G 3/8	10	1.9	0 - 10	221 646	221 647	221 649
	G 1/2	10	1.9	0 - 10	221 650	221 651	221 653
	G 1/2	13	3.6	0 - 10	221 654	221 655	221 657
	G 3/4	13	3.6	0 - 10	221 658	221 659	221 661
	G 3/4	20	8.3	0 - 10	221 662	221 663	221 665
	G 1	20	8.3	0 - 10	221 666	221 667	221 669
<b>Brass body, EPDM diaphragm, Epoxy coil, medium temperature -30 to +100 °C</b>							
A 2/2-way valve normally closed	G 1	25	11	0 - 10	227 535	221 717	221 720
	G 1 1/4	25	11	0 - 10	227 536	221 721	221 724
	G 1 1/2	40	30	0 - 10	227 542	221 741	221 745
	G 2	40	30	0 - 10	227 543	221 746	221 749

## Ordering Chart

Circuit function	Port connection [inch]	Orifice [mm]	Kv value water [m <sup>3</sup> /h]	Pressure range [bar]	Item no. voltage/frequency [V/Hz]		
					024/DC	024/50	230/50
<b>Brass body, NBR Diaphragm, polyamide coil, medium temperature -10 to +80 °C</b>							
A 2/2-way valve normally closed	G 1/4	10	1.9	0 - 10	221 674	221 675	221 677
	G 3/8	10	1.9	0 - 10	221 598	221 599	221 601
	G 1/2	10	1.9	0 - 10	221 606	221 607	221 609
	G 1/2	13	3.6	0 - 10	221 602	221 603	221 605
	G 3/4	13	3.6	0 - 10	221 618	221 619	221 621
	G 3/4	20	8.3	0 - 10	221 630	221 631	221 633
	G 1	20	8.3	0 - 10	221 634	221 635	221 637
<b>Brass body, NBR Diaphragm, epoxy coil, medium temperature -10 to +80 °C</b>							
A 2/2-way valve normally closed	G 1	25	11	0 - 10	227 533	221 725	221 728
	G 1 1/4	25	11	0 - 10	227 534	221 729	221 732
	G 1 1/2	40	30	0 - 10	227 539	221 750	221 753
	G 2	40	30	0 - 10	227 541	221 754	221 757

## Ordering Chart

Circuit function	Port connection [inch]	Orifice [mm]	Kv value water [m <sup>3</sup> /h]	Pressure range [bar]	Item no. voltage/frequency [V/Hz]		
					024/DC	024/50	230/50
<b>Stainless steel body, FKM diaphragm, epoxy coil, medium temperature 0 to +120 °C</b>							
A 2/2-way valve normally closed	G 3/8	10	1.9	0 - 10	221 758	221 759	221 761
	G 1/2	13	3.6	0 - 10	221 762	221 763	221 765
	G 3/4	20	8.3	0 - 10	222 122	222 123	222 125
	G 1	25	11	0 - 10	227 550	228 430	222 143
	G 1 1/4	25	11	0 - 10	227 551	228 433	222 145
	G 1 1/2	40	30	0 - 10	227 557	228 436	222 147
	G 2	40	30	0 - 10	227 558	228 439	222 149
<b>Stainless steel body, NBR diaphragm, Polyamide coil, medium temperature -10 to +80 °C</b>							
A 2/2-way valve normally closed	G 3/8	10	1.9	0 - 10	222 150	222 151	222 152
	G 1/2	13	3.6	0 - 10	222 156	222 157	222 158
	G 3/4	20	8.3	0 - 10	222 168	222 169	222 170
	G 1	20	8.3	0 - 10	222 171	222 172	222 173
<b>Stainless steel body, NBR diaphragm, Epoxy coil, medium temperature -10 to +80 °C</b>							
A 2/2-way valve normally closed	G 1	25	11	0 - 10	222 193	228 429	227 546
	G 1 1/4	25	11	0 - 10	222 197	228 432	227 547
	G 1 1/2	40	30	0 - 10	222 201	228 435	227 552
	G 2	40	30	0 - 10	222 205	228 438	227 554
<b>Stainless steel body, EPDM diaphragm, Polyamide coil, medium temperature -30 to +90 °C</b>							
A 2/2-way valve normally closed	G 3/8	10	1.9	0 - 10	222 153	222 154	222 155
	G 1/2	13	3.6	0 - 10	222 159	222 160	222 161
	G 3/4	20	8.3	0 - 10	222 174	222 175	222 176
	G 1	20	8.3	0 - 10	222 177	222 178	222 179
<b>Stainless steel body, EPDM diaphragm, Epoxy coil, medium temperature -30 to +100 °C</b>							
A 2/2-way valve normally closed	G 1	25	11	0 - 10	227 548	228 431	222 195
	G 1 1/4	25	11	0 - 10	227 549	228 434	222 199
	G 1 1/2	40	30	0 - 10	227 555	228 437	222 203
	G 2	40	30	0 - 10	227 556	228 440	222 207