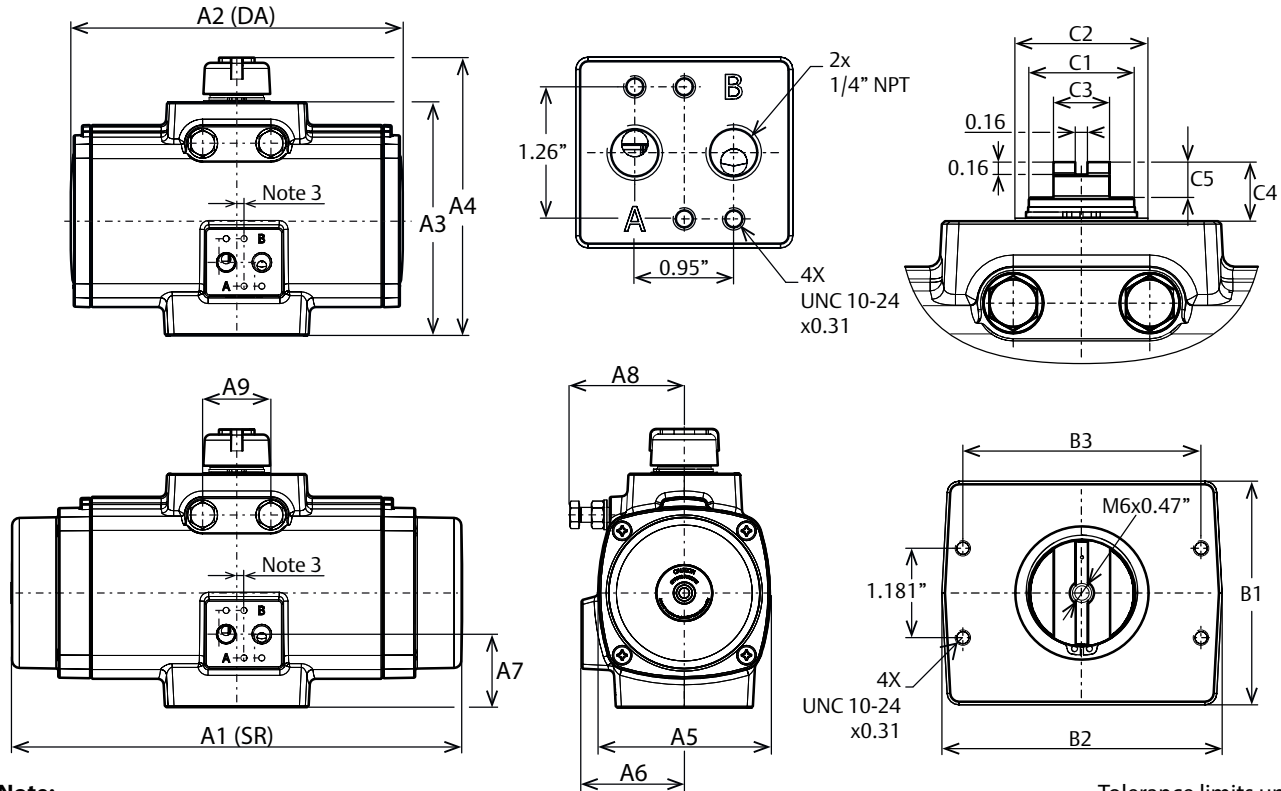


ACTUATORS AND CONTROLS

Dimensional Data – **New AD and AS** (Sizes 0025 to 0350)

ENVELOPE DIMENSIONS - SOLENOID INTERFACE - TOP MOUNTING INTERFACE



Note:

1. DA = Double-Acting, SR = Spring-Return
2. Solenoid interface and top mounting interface according to VDI/VDE3845 (NAMUR)
3. The solenoid drilling pattern is shifted 0.16" for size 0025 and 0.08" for size 0040 vs. the centerline of the actuator.

Tolerance limits unless otherwise specified:
 X.X = ± 0.02"
 X.XX = ± 0.01"

Dim in Inches	Actuator Size						
	0025	0040	0065	0100	0150	0200	0350
A1	6.54	7.55	8.53	9.72	11.97	14.23	15.15
A2	6.54	7.55	8.53	9.72	8.80	10.07	10.58
A3	3.59	4.39	4.86	5.14	6.19	6.42	7.92
A4	4.69	5.47	5.94	6.22	7.28	7.52	9.06
A5	3.23	3.74	4.09	4.53	5.00	5.28	6.50
A6	1.91	2.15	2.28	2.50	2.72	2.83	3.35
A7	1.16	1.34	1.48	1.50	1.93	1.92	1.65
A8	1.89	2.28	2.72	2.72	2.95	3.43	4.29
A9	0.71	0.98	1.06	1.10	1.81	1.81	1.81
B1	1.69	1.77	1.97	2.36	2.95	2.95	3.35
B2	3.70	3.70	3.70	3.82	3.70	3.70	3.94
B3	3.15	3.15	3.15	3.15	3.15	3.15	3.15
C1	0.63	0.87	0.87	0.87	1.34	1.42	1.42
C2	0.91	1.18	1.18	1.18	1.77	1.77	1.77
C3	0.39	0.55	0.55	0.55	0.75	0.75	0.75
C4	0.79	0.79	0.79	0.79	0.79	0.79	0.79
C5	0.47	0.47	0.47	0.47	0.47	0.47	0.47