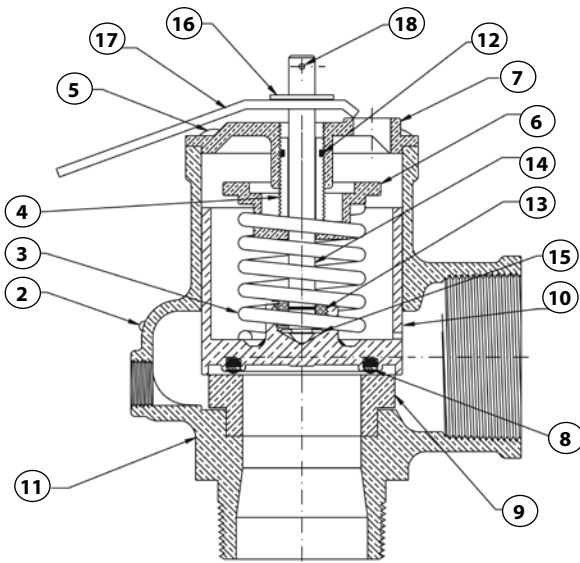


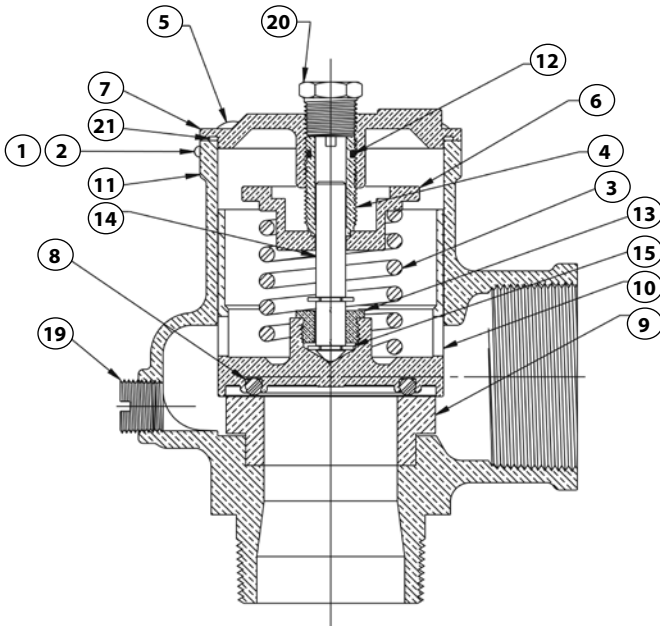
SAFETY & RELIEF VALVES

Low Pressure Air and Vacuum Relief Valves

14-400, 14-500 AND 14-600 SERIES



14-400



14-500 & 14-600

MATERIALS

Item	Component	Material
1	Nameplate	Aluminum
2	Drivescrews (2)	Steel (Plated)
3	Spring	Stainless Steel
4	Adjusting Screw	Brass ASTM B-16
5	Cap Screw (4)	Steel (Plated)
6	Spring Washer	Brass ASTM B-16
7	Cap	Bronze ASTM B-584
8	Seat-O-Ring	Silicone
9	Seat Insert	Brass ASTM B-16
10	Disc	Bronze ASTM B-584
11	Body	Bronze ASTM B-584
12	Friction Ring	EPDM
13	Stem Nut	Brass ASTM B-16
14	Stem	Brass ASTM B-16
15	Retaining Ring	Steel (Plated)
16	Lift Washer	Steel (Plated)
17	Lift Lever	Steel (Plated)
18	Roll Pin	Steel (Plated)
19	Plug	Brass ASTM B-16
20	Plug	Brass ASTM B-16
21	Cap Seal O-Ring	Silicone