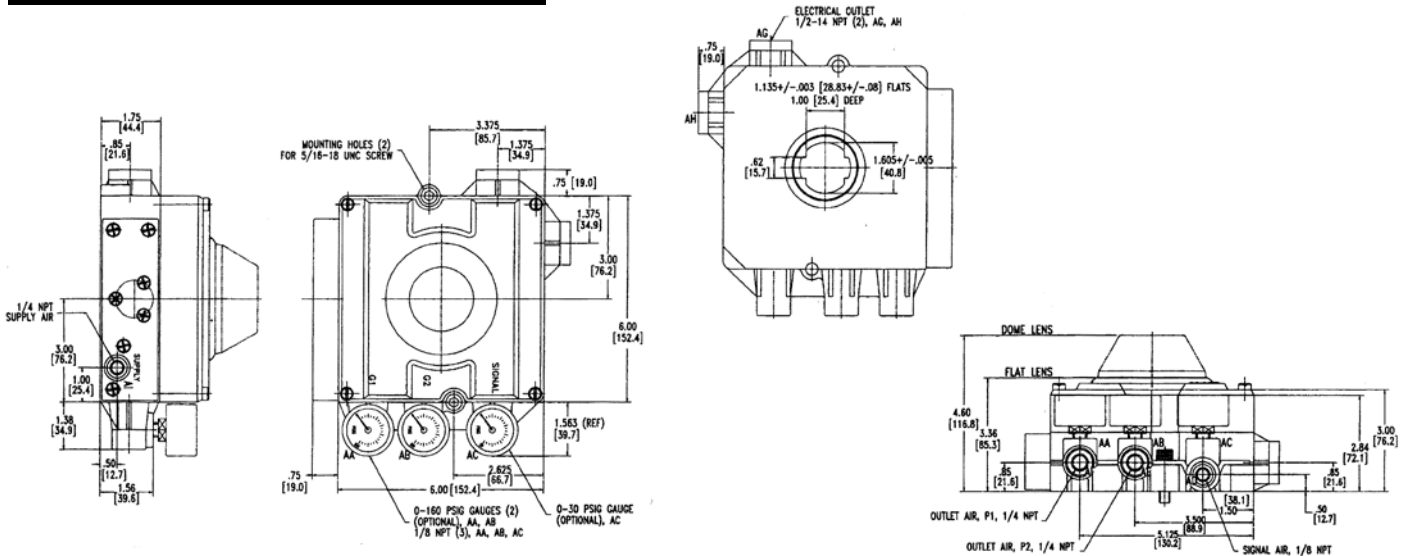


ACTUATORS AND CONTROLS

VRC Positioners

DIMENSIONAL DIAGRAMS



CONSTRUCTION

Part	Materials
Enclosure	PPA Composite, 300 Stainless Steel Port Rings, Cover and Mounting Bolts
Indicator Lens	LEXAN™
Internals	PPA, PPS and PEEK Composites 300 Series Stainless Steel
Nickel Plated Brass Spool Valve	Carpenter 70 Grade Stainless Steel
I/P Converter (VK02) VE Model	PPA Composite, TEFLON™ Coated Carbon Steel, Nickel Plated Carbon Steel, High Density Polyethylene DELRIN™
Signal Diaphragm/ O-Rings	BUNA N

PERFORMANCE

Parameter	Specification
Resolution	1.25% Maximum 0.10% Typical
Repeatability	99.75% Minimum 99.90% Typical
Hysteresis	0.50% Maximum 0.25% Typical
Linearity	1.0% Maximum
Gain @80 psig	250 Single Acting 500 Double Acting
Air Consumption @80 psig	0.25 SCFM – Standard Flow Spool Valve 0.45 SCFM – Maximum Flow Spool Valve
Temp. Range	-40 to 150° F/-40 to 65° C

How to Order VRC Positioners

3PV - PREFIX	POSITION INDICATOR & TYPE	SPOOL VALVE	PORT GAUGES	POSITION TRANSMITTER	LIMIT SWITCH
3PV	0 = Flat Pneumatic 1 = Flat Electro-Pneumatic 5 = Dome Pneumatic 6 = Dome Electro-Pneumatic	7 = Standard Flow 8 = Max Flow	3 = No Gauges 4 = Brass Gauges 5 = SS Gauges	0 = No Transmitter F = 4-20MA Current Output 2-Wire	0 = No Switch K = Mechanical Switch M = Proximity Switch

Note: See Price List for Apollo Part Numbers



For additional information, submittal sheets and manuals, visit www.apollovalves.com

Customer Service (704) 841-6000