

## 2/2-way ball valve with electric rotary actuator

### DN10-65 mm

- Applications for neutral, contaminated or aggressive mediums
- High flow rate value
- Actuator with adjustable limit switches
- Visual position indicator
- Multi-voltage

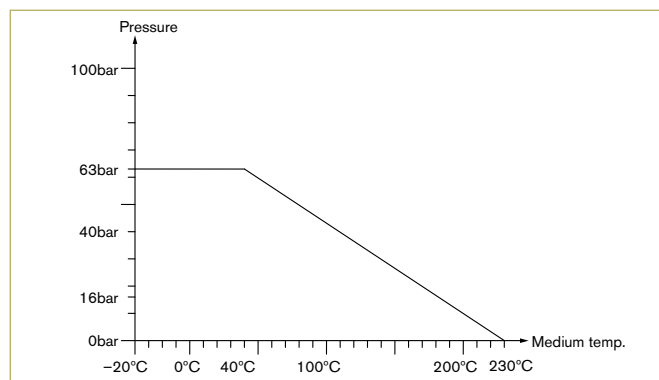


The electric ball valve, Type 8804, consists of an electrical rotary actuator and a 2/2-way ball valve made of stainless steel full bore. Heat resistor and torque limiter are standard. The body is made of low inflammable material, classified acc. to UL 94 V0.

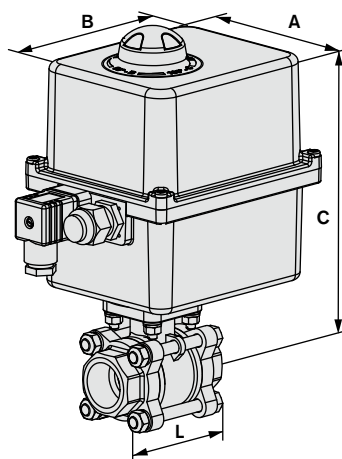
### Technical Data

<b>Pressure range</b>	0-63 bar
<b>Medium temperature</b>	-10 °C to +130 °C, depending on the medium pressure - see diagram
<b>Ambient temperature</b>	-10 °C to +55 °C
<b>Body material</b>	Stainless steel 1.4408
<b>Seal material</b>	PTFE
<b>Duty rating acc. to IEC34 S4</b>	50%
<b>Operating voltage</b>	15-30 V AC 50/60 Hz/12-48 V DC 100-240 V AC 50/60 Hz/100-350 V DC
<b>Voltage tolerance</b>	+/-10%; from 12 to 48V DC the operating voltage should not go below 11.5 V
<b>Type of protection</b>	IP66 with cable plug installed
<b>Limit switches</b>	4 adjustable (2 for motor and 2 additional for feedback) max. 230 V / 5A
<b>Electrical connection</b>	Cable plug acc. to EN175301-803 (supply voltage) Cable glands ISO M20 (included)

### Pressure/temperature diagram



Dimensions [mm] (see datasheet for more details)



Actuator [Nm]	Port connection [inch]	A	B	C	L
20	1/4"	91.7	136.5	163.7	65
20	3/8"	91.7	136.5	163.7	65
20	1/2"	91.7	136.5	163.7	75
20	3/4"	91.7	136.5	167.7	80
35-100	1/4"	127.7	150.3	190.8	65
35-100	3/8"	127.7	150.3	190.8	65
35-100	1/2"	127.7	150.3	190.8	75
35-100	3/4"	127.7	150.3	194.8	80
35-100	1"	127.7	150.3	202.8	90
35-100	1 1/4"	127.7	150.3	208.8	110
35-100	1 1/2"	127.7	150.3	218.8	120
35-100	2"	127.7	150.3	227.8	140
35-100	2 1/2"	127.7	150.3	248.8	185

### Options

- Also available as 2-piece ball valve
- Also available as a 3/2-way ball valve
- With weld ends
- Ball valve in plastic version

## Ordering chart

Orifice [mm]	Port connection [inch]	Actuator [Nm]	Rotation time for 90° (s)	Kv value [m <sup>3</sup> /h]	Voltage	Item no.
<b>Type 8804, 3-piece globe valve with thread, pressure range 0 - 63 bar</b>						
10.0	1/4	20	12	7	100 – 240 V, 50 / 60 Hz and 100 – 350 V, DC	226 483
12.7	3/8	20	12	9		226 484
15.0	1/2	20	12	19		226 485
20.0	3/4	35	12	46		226 486
25.0	1	35	7	72		226 487
32.0	1 1/4	60	7	105		226 488
40.0	1 1/2	100	12	170		241 107
50.0	2	100	12	275		226 490
65.0	2 1/2	100	23	507		226 491
10.0	1/4	20	12	7		15 – 30 V, 50 / 60 Hz and 12 – 48 V, DC
12.7	3/8	20	12	9	226 497	
15.0	1/2	20	12	19	226 498	
20.0	3/4	35	12	46	226 499	
25.0	1	35	7	72	226 500	
40.0	1 1/2	100	12	170	241 109	
50.0	2	100	12	275	226 502	
65.0	2 1/2	100	23	507	226 503	

8804