

Cable plug acc. to DIN EN 175301 Form A Type 2508, Form B Type 2507 and Rectangular plug Type 2505

2505 / 2507 / 2508

0 to 250 V AC

- Compact and simple to wire
- IP65 / NEMA 4X
- Also available with LED indicator
- Global Approvals



Type 2505 – Rectangular plug

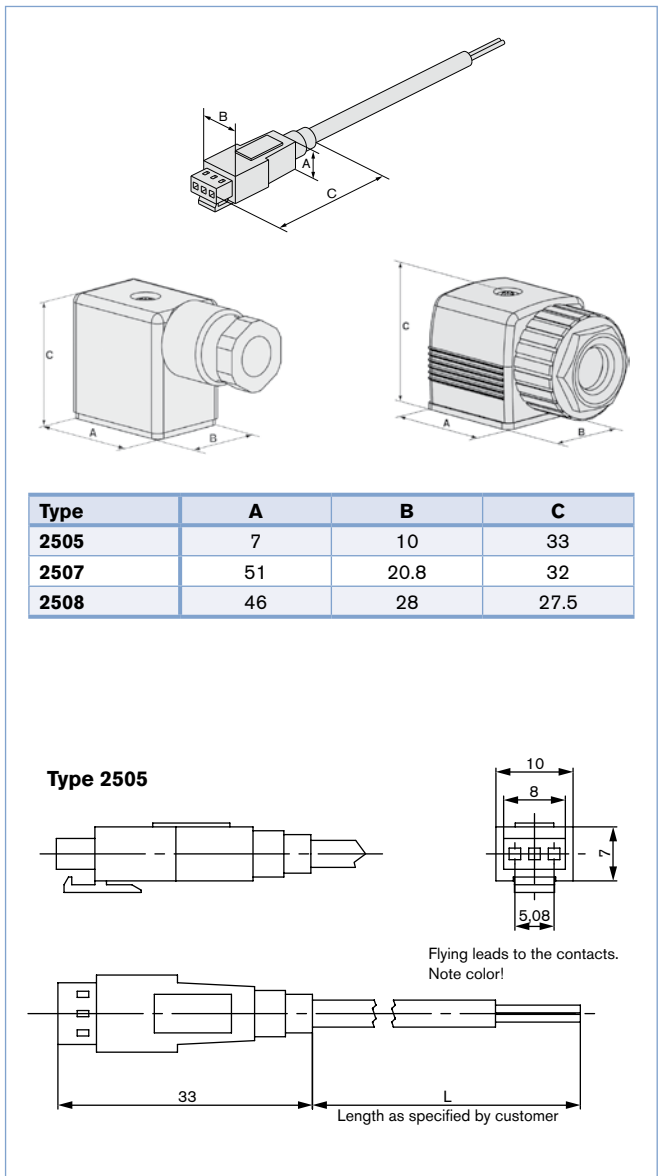
Type 2507 - Plug on connector for small valves and sensors. Options include LED, rectifier, suppression diode, and varistor. Modular flexible design allows flexibility in restricted space; watertight connection.

Type 2508 - Plug on connector for solenoid valves and sensors. Options include LED, rectifier, varistor and AS-i versions (2510 / 2511). The flexible design allows 90° installation flexibility.

Technical Data

Type	2505	2507	2508
Body material	POM	Polyamide	Polyamide, Polycarbonate (versions with LED)
Contacts	Brass galvanised silver plated	Brass galvanised silver plated	Brass galvanised silver plated
Flat seal		NBR	
Cable outlet	straight	2 x 180°	4 x 90°
Cable diameter	see ordering chart	4.5-7 mm	6-7 mm
Temperature range	-40 °C to +90 °C	-40 °C to +90 °C	+90 °C
Max. ambient temperature	+90 °C	+90 °C	+90 °C
Rating	see ordering chart	6 A	6 A
Nominal voltage	12-24 V	0-250 V	0-250 V
Contact resistance		≤ 4 mΩ	5 mΩ (typ.)
Operating display		Option LED red	Option LED red
Electrical connection		Screw terminal max. 0.75 mm ² with circuitry (max. 1.5 mm ² without circuitry)	Screw terminal max. 1.5 mm ²
Protection class	IP20	NEMA 4, IP65	NEMA 4, IP65
Number of terminals	2-wire	2-pins + protective earth conductor	Standard: 2-pins + protective earth conductor. Option: 3-pins + protective earth conductor

Envelope Dimensions [mm] (see datasheet for details)



Ordering Chart

Circuitry	Voltage/frequency	Item no. 2507	Item no. 2508
Standard	0 - 250/AC/DC	423 845	008 376
With LED	024/DC	423 849	008 360
	110/AC	-	008 361
	230/AC	423 850	008 362
With LED and varistor	024/DC	423 851	008 367
	110/AC	-	008 368
	230/AC	-	008 369

Type 2505	Feature	Item no.
Rectangular cable plug	with 3 m PVC oil-resistant cable, cable diameter 4-5 mm, operating temperature -20 to +80 °C, current intensity max. 1.5 A	133 486
	with 300 mm single flying leads, outside diameter 1.4 mm, operating temperature 0 to 55 °C, power max. 3 W	644 068
	with 2 crimp contacts, operating temperature 0 to 55 °C, current intensity max. 2 A	644 067