

# 2200 PCX PARTICLE COUNTER

**Applications**  
• Drinking Water



## Look to the leader for your filtration monitoring solution.

The Hach model 2200 PCX is the first particle counter designed specifically to meet the unique requirements of water treatment. The model 2200 PCX can be integrated into your plant control system, used with our water quality software products, or both in parallel. Collected data can be utilized for optimizing chemical dosage, backwash cycles, and filter-to-waste times. Particle count reports can also be used to apply for removal credits and filter high rate studies.

### **Supports Up to 32 Size Channels and 8 Analog Inputs (turbidity, pH, etc.)**

See a wide range of particle data at one time, ensuring you never miss an event in your system.

### **Operates Stand-Alone or as Part of a Networked System**

Use the 2200 PCX as a single data point or as an integrated part of your plant.

### **Volumetric – All Particles Pass Through the Sensing Area**

See the whole picture with analysis of the entire sample.

### **Superior Sizing Accuracy and Sensor-to-Sensor Matching**

Industry-leading calibration yields excellent repeatability.

## Specifications\*

<b>Particle Size</b>	2 to 750 microns
<b>Flow Rate</b>	100 mL/min
<b>Pressure Limit</b>	65 psig not more than 1 minute; 55 psig continuous
<b>Operating Temperature Range</b>	0 to 50 °C
<b>Power Requirements (Voltage)</b>	115 V AC
<b>Power Requirements (Hz)</b>	50/60 Hz
<b>Instrument</b>	Power, counting display, clean sensor indicators, and alarm indicator

<b>Data Communications Distance</b>	4000 foot maximum for entire RS485 signal path
<b>Enclosure Rating</b>	NEMA 4X
<b>Fluid Connections Inlet</b>	Barbed fitting with self-sealing quick disconnect for 1/4 inch O.D. tubing
<b>Fluid Connections Outlet</b>	Barbed fitting with self-sealing quick disconnect for 1/4 inch O.D. tubing
<b>Dimensions (H x W x D)</b>	13.8 in x 8.3 in x 7 in (350 mm x 211 mm x 178 mm)

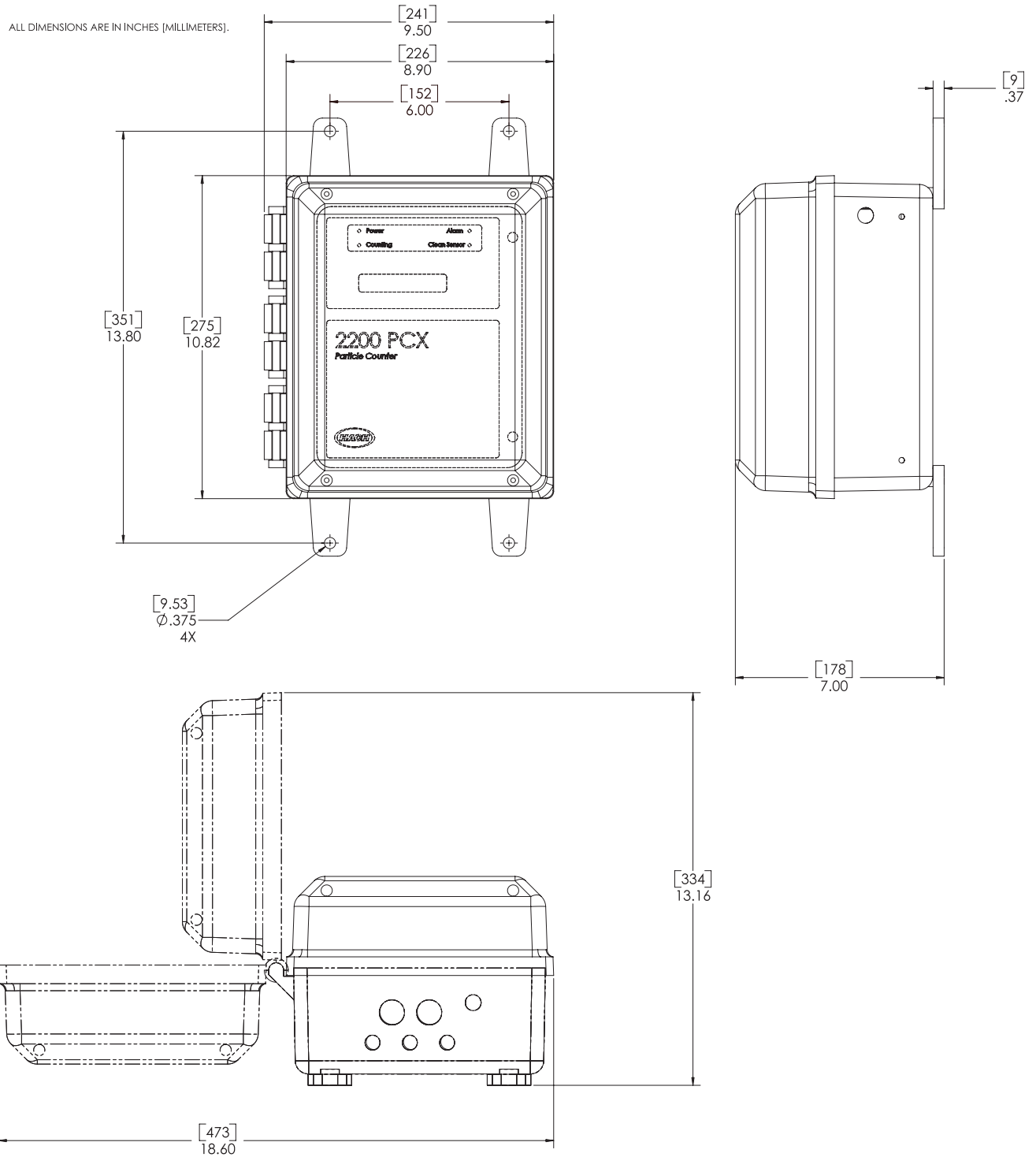
*\*Subject to change without notice.*

## Principle of Operation

Hach's laser-diode-based particle counting sensors are specifically designed for drinking water applications. Water is directed into the sensor and passes through an optical flow cell measuring 750 x 750 microns. Each particle that passes through the sensor generates a signal corresponding to its size.

Each sensor comes with a calibration curve showing the signal response versus size of each particle. Hach uses NIST-traceable spheres of defined size to calibrate each sensor. Calibration information is stored in sensor memory, and is used to separate the particle counts into the proper size category.

### Dimensions



## Ordering Information

### Complete Analyzers

- 5700000** 2200 PCX Particle Counter with Modbus RS485, 115 V AC  
**5705000** 2200 PCX Particle Counter with Analog Output and Water Weir, 115 VAC  
**5704000** 2200 PCX Particle Counter with Modbus RS485 and Water Weir, 115V AC

### Accessories

- 5700100** Analog Input/Output Kit, 8 Channels  
**5700700** Flow Controller with Water Weir  
**5702500** 2200 PCX OPC Software Kit  
**5701525** WQS Vista Data Collection Software

## HACH COMPANY World Headquarters: Loveland, Colorado USA

United States: 800-227-4224 tel 970-669-2932 fax orders@hach.com  
Outside United States: 970-669-3050 tel 970-461-3939 fax int@hach.com  
**hach.com**

LIT4599 Rev 1

K13 Printed in U.S.A.

©Hach Company, 2013. All rights reserved.

*In the interest of improving and updating its equipment,*

*Hach Company reserves the right to alter specifications to equipment at any time.*



Be Right™