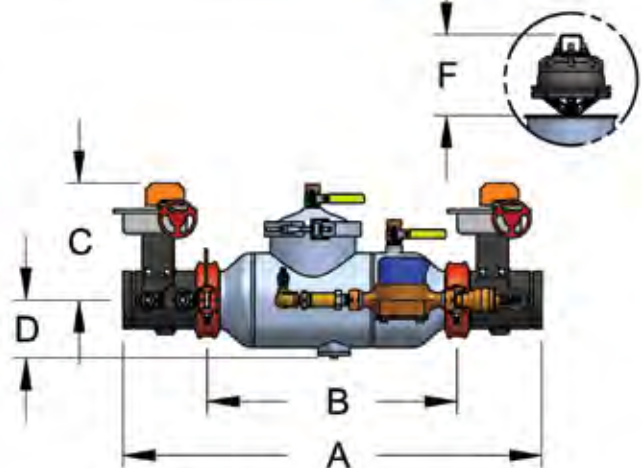
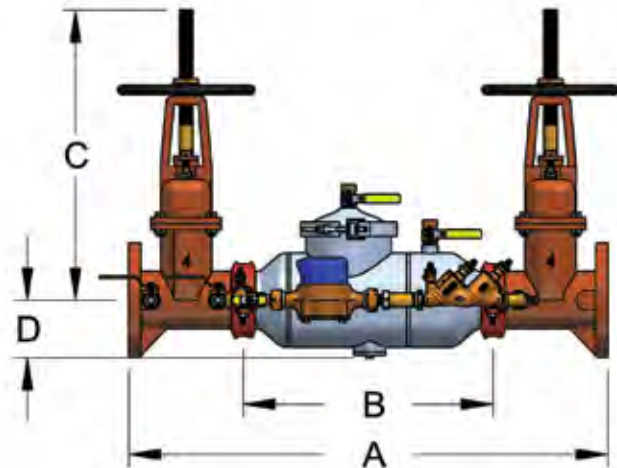
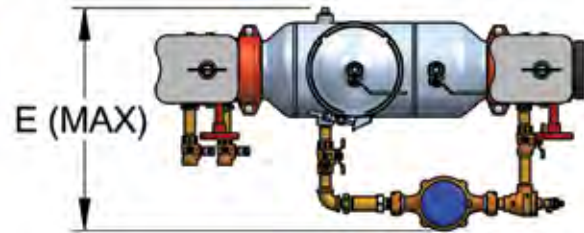
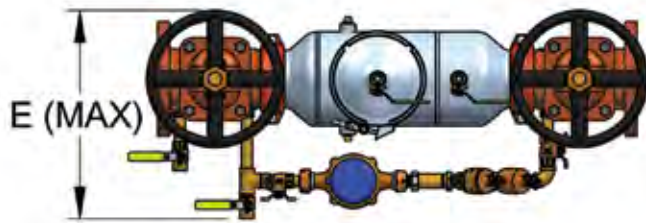


BACKFLOW PREVENTION CATALOG



Double Check Detector Backflow Preventers

DCDALF 4A SERIES



TYPE 1 BYPASS

TYPE 2 BYPASS

DIMENSIONS

Nominal dimensions are shown. Allowances must be made for manufacturers' tolerances ($\pm 1/8"$ (3 mm) per joint)

See Page 59 For Flow Curves

DIMENSIONS	2-1/2"	60mm	3"	75mm	4"	100mm	6"	150mm	8"	200mm	10"	250mm	12"	300mm
A (Butterfly Valves)	28 ±	711 ±	28-1/2 ±	724 ±	33-1/4 ±	845 ±	38-7/8 ±	987 ±	46-3/8 ±	1178 ±	52-1/4 ±	1378 ±	N/A	N/A
A (Gate Valves)	31 ±	787 ±	32 ±	813 ±	38 ±	965 ±	45-7/8 ±	1165 ±	53-3/8 ±	1356 ±	62-1/4 ±	1581 ±	65-1/2 ±	1664 ±
B (Less Shut-off Valves)	15-7/8 ±	403 ±	15-7/8 ±	403 ±	19-5/8 ±	498 ±	24-1/2 ±	622 ±	30 ±	762 ±	36 ±	914 ±	37 ±	940 ±
C (Butterfly Valves)	8	203	8-3/8	213	9-1/8	233	10-1/8	257	12	306	13-3/8	340	N/A	N/A
C (NRS/PI Gate Valves)	11-3/8	289	12-3/8	314	14-3/4	375	19	483	22-1/2	572	26-1/2	673	30	762
C (OS&Y Open)	16-3/8	416	18-7/8	479	22-3/4	578	30-1/8	765	37-3/4	959	45-3/4	1162	53-1/8	1348
D (Centerline to bottom)	3-7/8	98	3-7/8	98	4-5/8	117	6	152	8-1/8	206	11-3/4	298	12	305
E (Width Max)	17	432	17	432	17	432	20	508	21-1/2	546	26-1/2	673	26-1/2	673
F (Check Removal Clearance)	4-3/4	121	4-3/4	121	6-1/2	165	7-1/2	191	7-1/2	191	10	254	10	254
Test Cocks (NPT)	1/2"	13	1/2"	13	1/2"	20	3/4"	20	3/4"	20	3/4"	20	3/4"	20
WEIGHTS	lb.	kg	lb.	kg	lb.	kg	lb.	kg	lb.	kg	lb.	kg	lb.	kg
Net Wt. (Less Shut-offs)	37	17	38	17	54	25	90	41	223	101	722	327	825	374
Net Wt. (w/ Butterfly Valves)	64	29	68	31	98	45	158	72	354	161	940	426	N/A	N/A
Net Wt. (w/ OS&Y Gate Valves)	133	60	159	72	209	95	339	154	700	318	1608	729	2017	915

Notes:

1. Internal body connections are grooved on 2-1/2" to 10" sizes.
2. Internal body connections are flanged on 12" size.



For additional information, submittal sheets and manuals, visit www.apollovalves.com

Customer Service (704) 841-6000