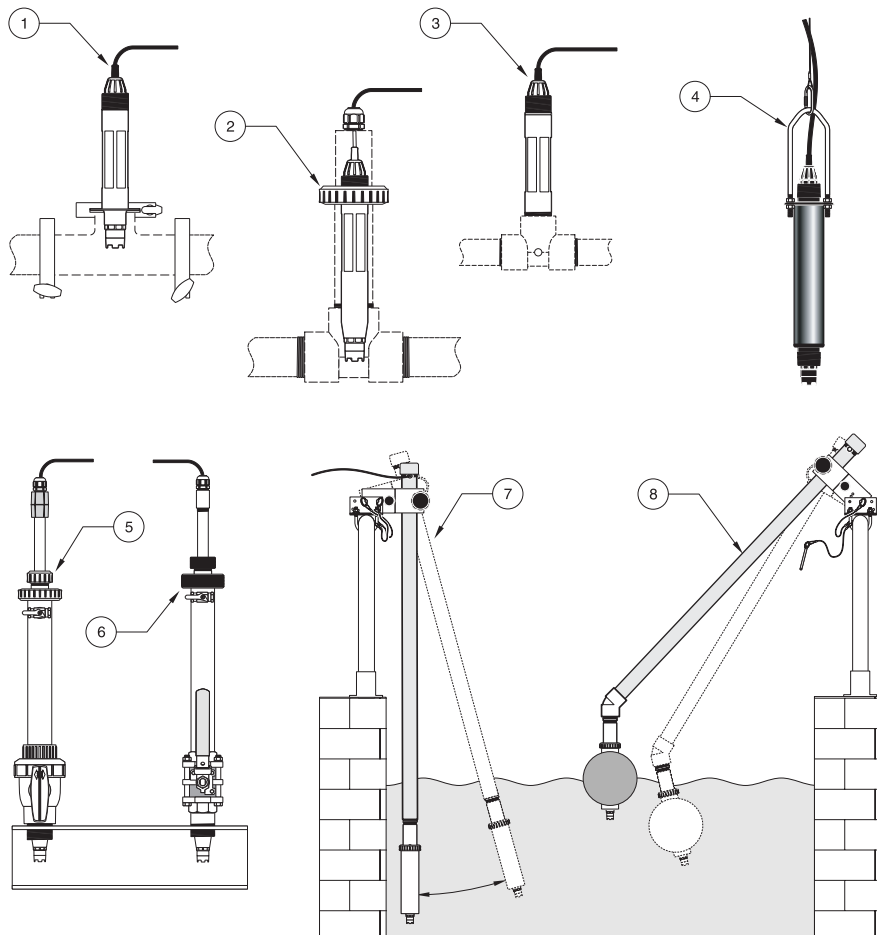


# Mounting Hardware for pHD sc Differential Sensors



1. Sanitary mount

2. Union mount

3. Flow-through mount

4. Hanging stainless steel sensor with the bail

5. PVC Insertion mount

6. Stainless steel insertion mount

7. Immersion mount

8. Immersion mount, ball float

## Sanitary Mount

**MH018S8SZ** 316 SS

Includes 2-inch sanitary tee and heavy-duty clamp. Cap and EPDM compound gasket supplied with sensor; can be ordered separately.

## Union Mount

**6131300** CPVC

**6131400** 316 SS

Includes standard 1-1/2 inch tee, union pipe with adapter, sealing hub, and lock ring and Viton® O-ring.

## Flow-through Mount

**MH334N4NZ** CPVC

**MH314N4MZ** 316 SS

Includes a standard 1-inch tee in respective material.

## Insertion Mount

### Digital

**5646300** CPVC

**5646350** 316 SS

### Analog

**5646400** CPVC

**5646450** 316 SS

Includes a 1-1/2 inch ball valve, 1-1/2 inch NPT close nipple, sensor adapter with two Viton® O-rings and wiper, extension pipe, pipe adapter, back tube, and lock ring.

## Immersion Mount

### Standard Hardware

#### Digital

**6136400** CPVC

**6136500** 316 SS

#### Analog

**MH434A00B** CPVC

**MH414A00B** 316 SS

Includes 1-inch by 4 ft. pipe and 1-inch x 1-inch NPT coupling. (Pipe-mount junction box with terminal strip included in analog hardware.)

### Handrail Hardware

**MH236B00Z** CPVC

Includes 1-1/2 inch by 7.5 ft. CPVC pipe, and swivel/pivot/ pipe clamp assembly.

### Chain Mount Hardware

**2881900** 316 ss

Includes stainless steel bail, nuts, and washers. Does not include chain. To be used with stainless steel immersion sensor only.

### Ball Float Hardware

**6131000** CPVC

Includes 1-1/2 inch by 7.5 ft. CPVC pipe, ball float assembly, and swivel/pivot/ pipe clamp assembly.

## NOTE:

Contact Hach Technical Support or your Hach representative for information about retro fit hardware for existing installations.