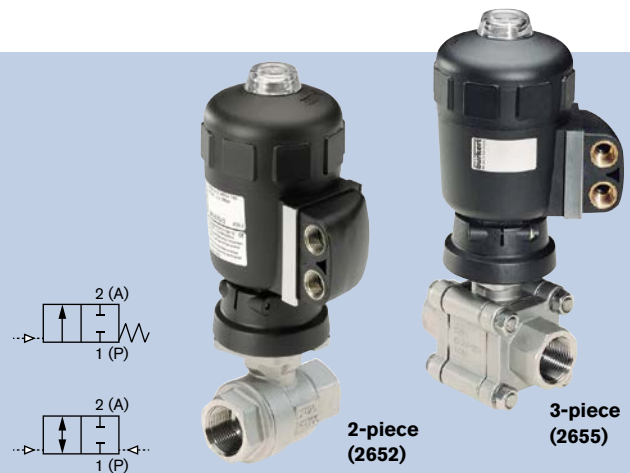


## 2/2-way Quarter-Turn Ball Valve in stainless steel with pneumatic rotary actuator

- 2 or 3-piece ball valve
- Pneumatic actuator
- Compact design
- Optical position indicator
- Control valve connection acc. to NAMUR



The ball valves of Types 2652 and 2655 consist of a pneumatic rotary actuator (Type 2050) and a 2/2-way ball valve. The ball valve body is 2-piece (Type 2652) or 3-piece (Type 2655). The connection between the actuator and the ball valve takes place via a standard interface (flange connection).

The rotary movement in the actuator is produced by a linear piston with quick-acting screw thread coupling. The rotary actuator moves the ball valve through 90° and thus opens or closes the line cross-section. The actuator has an optical display of the piston position.

The compact, pneumatically actuated ball valve can be employed for a wide range of applications, even under heavy-duty, slightly aggressive conditions.

### Technical Data

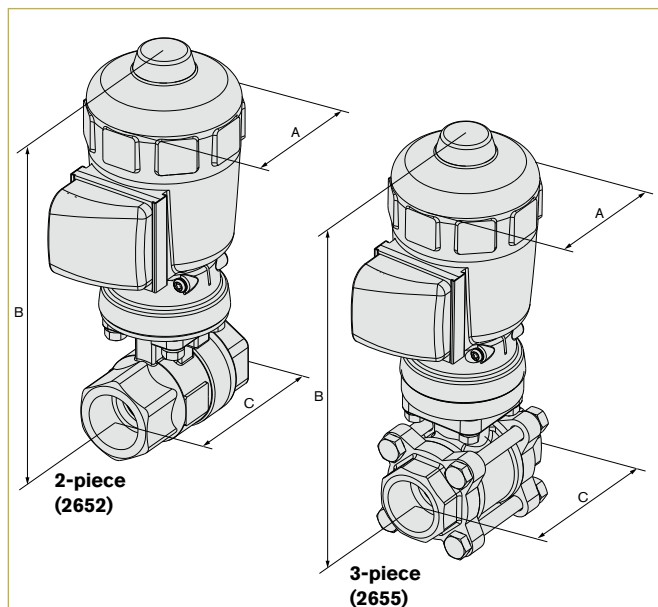
<b>Orifice</b>	DN10-50 mm
<b>Body material</b>	Stainless steel 1.4408
<b>Actuator material</b>	PA (polyamide, glass-fibre reinforced)
<b>Control air connection material</b>	Stainless steel 1.4305
<b>Seal material</b>	PTFE
<b>Medium</b>	Gaseous and liquid medium, which do not attack the body and seal materials
<b>Medium temperature</b>	-10 to +120°C
<b>Ambient temperature</b>	-10 to +60 °C
<b>Control medium</b>	Neutral gases; air
<b>Port connection</b>	Threaded port G 1/4" to G 2"
<b>Pilot pressure</b>	
Double acting actuator	2 to 10 bar (Ø 63 mm), 2 to 6 bar (Ø 100 mm)
Single acting actuator	5 to 10 bar (Ø 63 mm), 5 to 6 bar (Ø 100 mm)
<b>Connection</b>	
between actuator and ball valve	Flange acc. to ISO 5211 or DIN 3337
<b>Rotation</b>	90° ±3°
<b>Rotation time for 90°</b>	1 to 3.5 s (depending on load and pilot pressure)
<b>Installation</b>	As required, preferably with actuator in upright position

### Options

- Control head Type 8631
- Electrical position feedback Type 1062

### Envelope Dimensions [mm]

(Dimensions for Type 2652 see data sheet)



DN [mm]	A (Actuator size)		B (Actuator size)		C
	Ø 63 mm	Ø 100 mm	Ø 63 mm	Ø 100 mm	
10	79.6	126.6	201	275	65
12	79.6	126.6	201	275	65
15	79.6	126.6	201	275	75
20	79.6	126.6	205	279	80
25	79.6	126.6	204.5	278.5	90
32	–	126.6	–	284.5	110
40	–	126.6	–	294.5	120
50	–	126.6	–	303.5	140

## Ordering Chart

Control function	Orifice [mm]	Port connection [inch]	Kv value water [m <sup>3</sup> /h]	Pressure range [bar]		Single-acting actuator			Double-acting actuator		
				2-piece body	3-piece body	Actuator size Ø [mm]	Item no. Type 2652 2-piece	Item no. Type 2655 3-piece	Actuator size Ø [mm]	Item no. Type 2652 2-piece	Item no. Type 2655 3-piece
A 2/2-way ball valve normally closed or I 2/2-way ball valve, double-acting	10	G 1/4	7	0 - 100	0 - 63	63	435 172	435 175	63	429 203	431 195
	12	G 3/8	9	0 - 100	0 - 63	63	435 173	435 176	63	429 204	431 196
	15	G 1/2	35	0 - 100	0 - 63	63	435 174	435 177	63	429 205	431 197
	20	G 3/4	46	0 - 100	0 - 63	100	431 109	431 205	63	429 206	431 198
	25	G 1	72	0 - 100	0 - 63	100	431 110	431 206	63	429 207	431 199
	32	G 1 1/4	105	0 - 100	0 - 63	-	-	-	100	429 208	431 200
	40	G 1 1/2	170	0 - 100	0 - 63	-	-	-	100	429 209	176 177
	50	G 2	275	0 - 100	0 - 63	-	-	-	100	429 210	-

2652 / 2655

## Accessories

Actuator size Ø [mm]	Material	Item no.
<b>NAMUR adapter for connections with NAMUR pilot valve</b>		
63	Plastic (PA)	427 405
100	Brass	637 114
	Stainless steel	634 275

Valve for actuator size Ø [mm]	Type	Pressure inlet P	Service port A	Orifice [mm]	Qn value air [l/min]	Pressure range [bar]	Electrical connection	Power consumption [W]	Item no. voltage/frequency [V/Hz]		
									024/DC	230/50	
<b>3/2-way Pilot valve with banjo bolt</b>											
<b>Seal material valve FKM, seal material banjo bolt NBR</b>											
63 - 100	6014P	G 1/4"	G 1/4"	2	120	0 - 10	Form A	8	424 103	424 107	

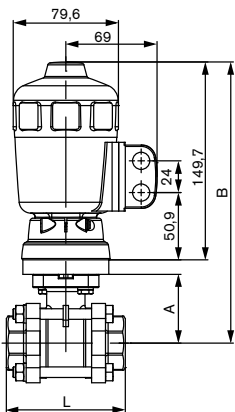
Cable plug Type 2508, Form A	Item no.
Type 2508, Form A acc. DIN EN 175301-803, 0 to 250 V without Circuitry (Type 6014P, Type 0331P)	008 376

## Envelope Dimensions [mm]

(Dimensions for Type 2652 see data sheet)

DN [mm]	Thread G	Actuator size [mm]	L	A	B (Actuator size)	
					Ø 63 mm	Ø 100 mm
10	G 1/4"	63/100	65	40	201	275
12	G 3/8"	63/100	65	40	201	275
15	G 1/2"	63/100	75	40	201	275
20	G 3/4"	63/100	80	44	205	279
25	G 1"	63/100	90	52	204.5	278.5
32	G 1 1/4"	100	110	58	-	284.5
40	G 1 1/2"	100	120	68	-	294.5
50	G 2"	100	140	77	-	303.5

Actuator size Ø 63 mm



Actuator size Ø 100 mm

